



P.O. Box #989
21200 Victory Boulevard
Woodland Hills, California 91367



27 PARTS CATALOGUE

INTRODUCTION

The Catalina 27 Parts Catalogue is designed to provide an easy and efficient way for dealers to order parts. All parts and assemblies are listed alphabetically under six main categories found in the index:

- Hull and Deck Fittings
- Spars, Rigging, Sails
- Interior
- Engine
- Plumbing
- Electrical

Refer to the page number in the right hand column to locate the part in the main body of the catalogue.

The parts illustrated are assigned a reference number. If the part is not shown, then it is listed in close proximity to the other related parts.

Fastener Kits, indicated by the suffix "F" are listed below each part. Each kit consists of all the fasteners needed for fastening one part only.

In the right hand columns on the page, the total number of parts required for each standard boat is listed under "standard," if the part is an option the total number needed for the installation of the option is listed under "option".

- (1) Give Full Part Number of Part and/or Fastener Kit.
- (2) Give the number of Parts requested.
- (3) Specify color when necessary.

All parts orders must be in writing, on company purchase orders or stationery, include purchase order number on all correspondence.

INDEX

DESCRIPTION	PAGE NUMBER
HULL AND DECK	
Blocks, Winches, Cleats.....	6,10
Bow Pulpit.....	1
Bow Sprit Assembly.....	1,3
Chain Plate Assembly.....	1,6,14,33
Cockpit Coaming Compartments.....	13
Cockpit Seat Hatch Assembly.....	13
Deluxe Aft Traveler.....	11
Forward Hatch Assembly.....	4
Handrails.....	5
Hull Identification Plate.....	12
Jib Tracks.....	6
Keels.....	14
Lazarette Hatch Assembly.....	12
Lifelines.....	1,12
Logo "Catalina 27".....	6
Main Hatch Assembly.....	7
Midship Traveler.....	8,9,18
Mast Steps.....	5
Mooring Cleats.....	2
Outboard Well Hatch.....	14
Rub Rail Assembly.....	2
Rudder.....	14
Stanchions.....	5
Stern Pulpit.....	12

Please remember that The Part #'s

In this catalog "DO NOT WORK"

Please DO NOT use these numbers when ordering parts

Thank You

INDEX (Continued)

PAGE NUMBER

DESCRIPTION

HULL AND DECK (Continued)

Tiller Assembly	13
Tiller Cover	13
Vents	2,10
Windows	5

SPARS, RIGGING, SAILS

Adjustable Outhaul	21
Aft Traveler Blocks	18
Boom Assembly	17
Boom Vang	21
Halyards	15
Halyard Winches	21
Jiffy Reefing	20
Mainsail Cover	24
Mast Assembly	15,16,17
Midship Traveler Blocks	18
Sails and Sheets	24,25
Spinnaker Gear	22,23,25
Split Backstay with Tension Adjuster	14,19
Standing Rigging	24,25
Tall Rig	25
Topping Lift	20
Topping Pigtail	18
Turnbuckles	2,19

INTERIOR

Aft Galley	43
Bulkheads	32,34,35,36,39,43
Carpeting	37
Compression Post	36,39
Curtains	37
Cushions	29-31
Doors	33,34,38,41
Hanging Locker	35
Hatch Lids	26-28
Head Compartment	33-34
Interior Trim	32,34,35,36,40,41,42,43
Ladder Assembly	42
Pinrails	32,36,39,40,41
Side Galley	38
Storage Shelves	33,38,39,42
Stove and Oven	38,43
Tables	37,40
Wash Basin in Head	33

ENGINE

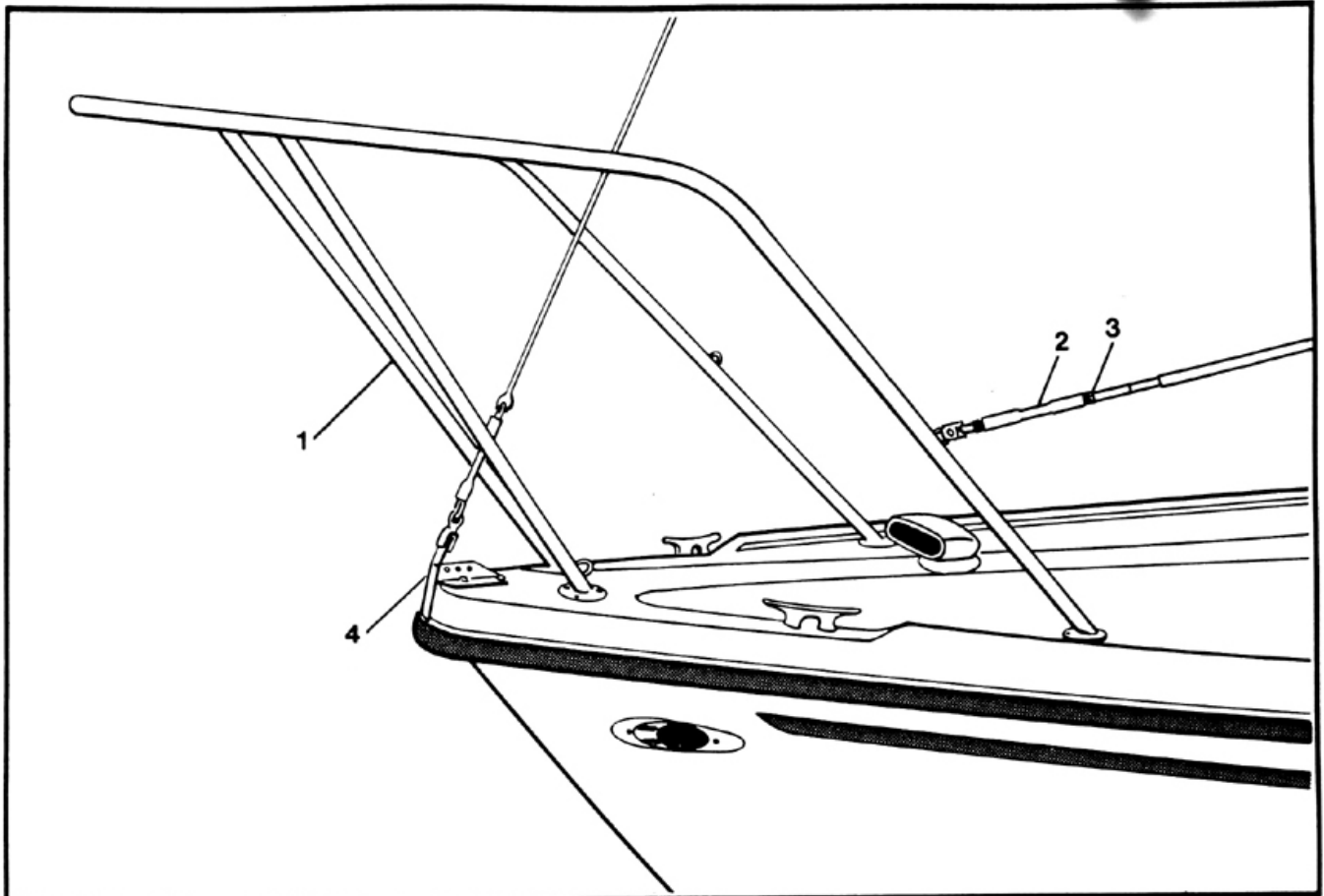
Universal Atomic 4 Gas Engine Installation	47-50
Universal Diesel #5411 Engine Installation	51-54

PLUMBING

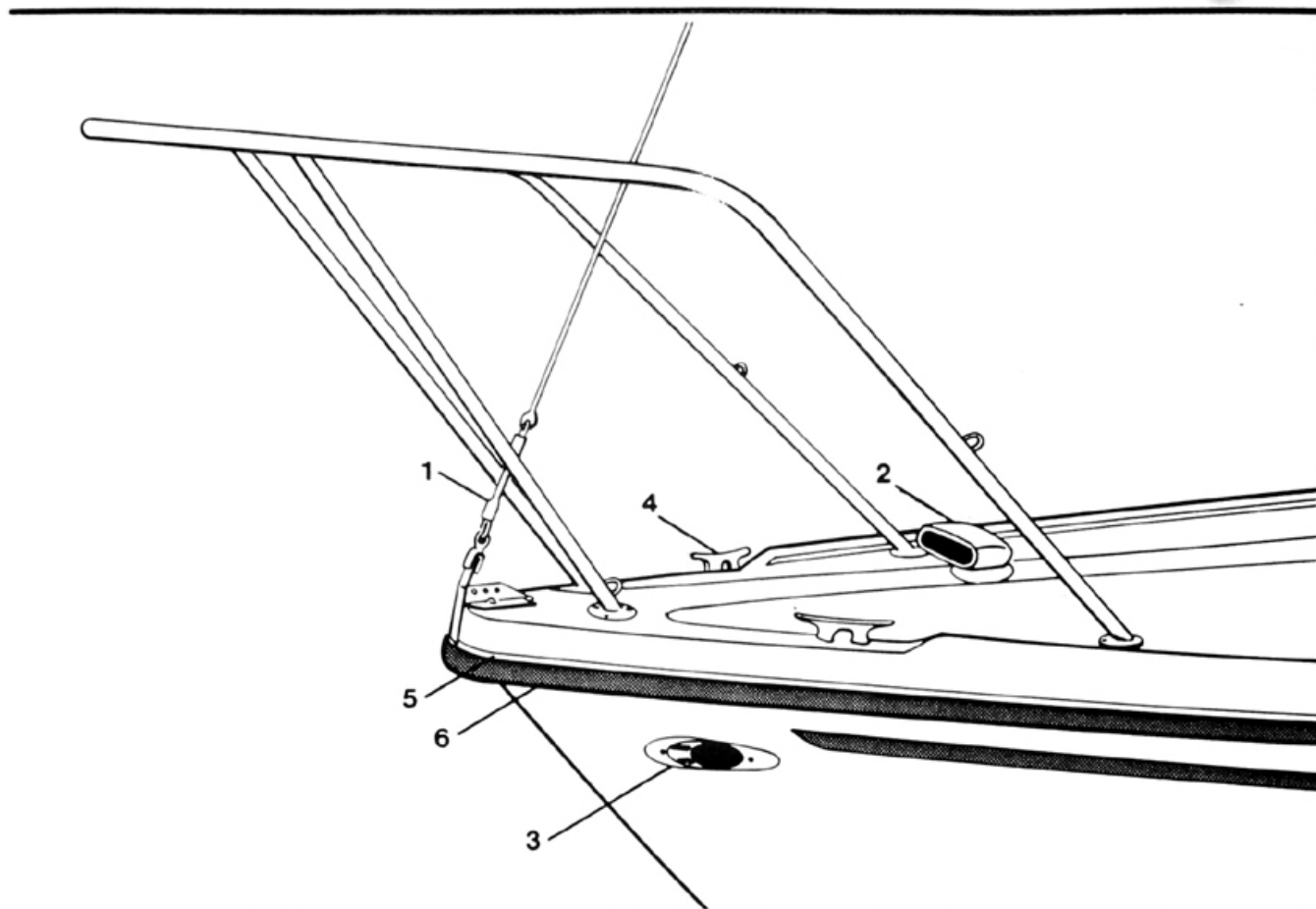
Bilge Pump Assembly	10
Cockpit Scuppers	12
Fresh Water System	44
Marine and Portable Heads	34
Holding Tank w/Macerator Pump Assembly	45-46

ELECTRICAL

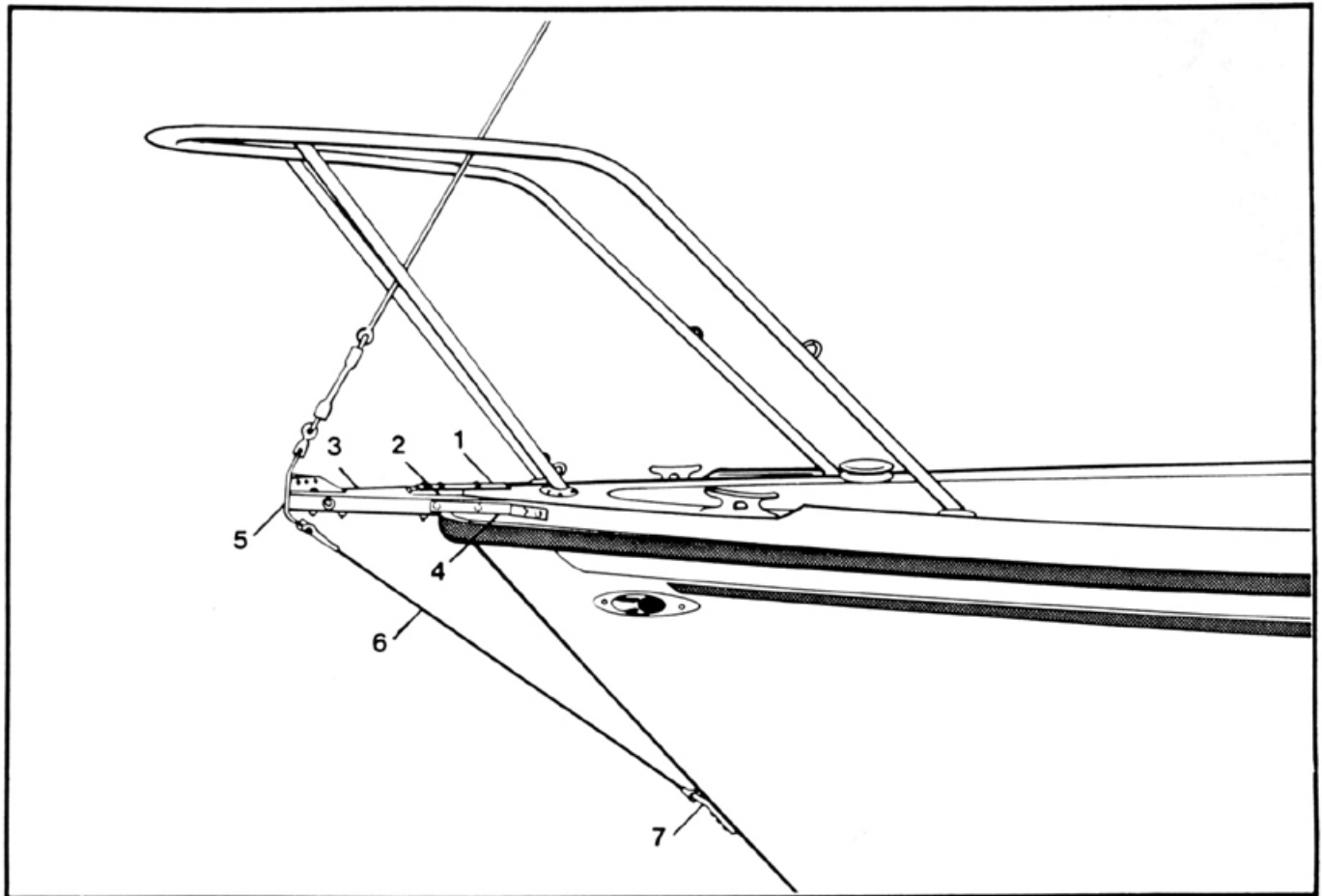
Battery	42
Cabin Lights	37
Combination Red and Green Bow Lights	2
D.C. Panel	42
Mast Lights	15,16
110 Volt Dockside Power	55
Stern Light	11



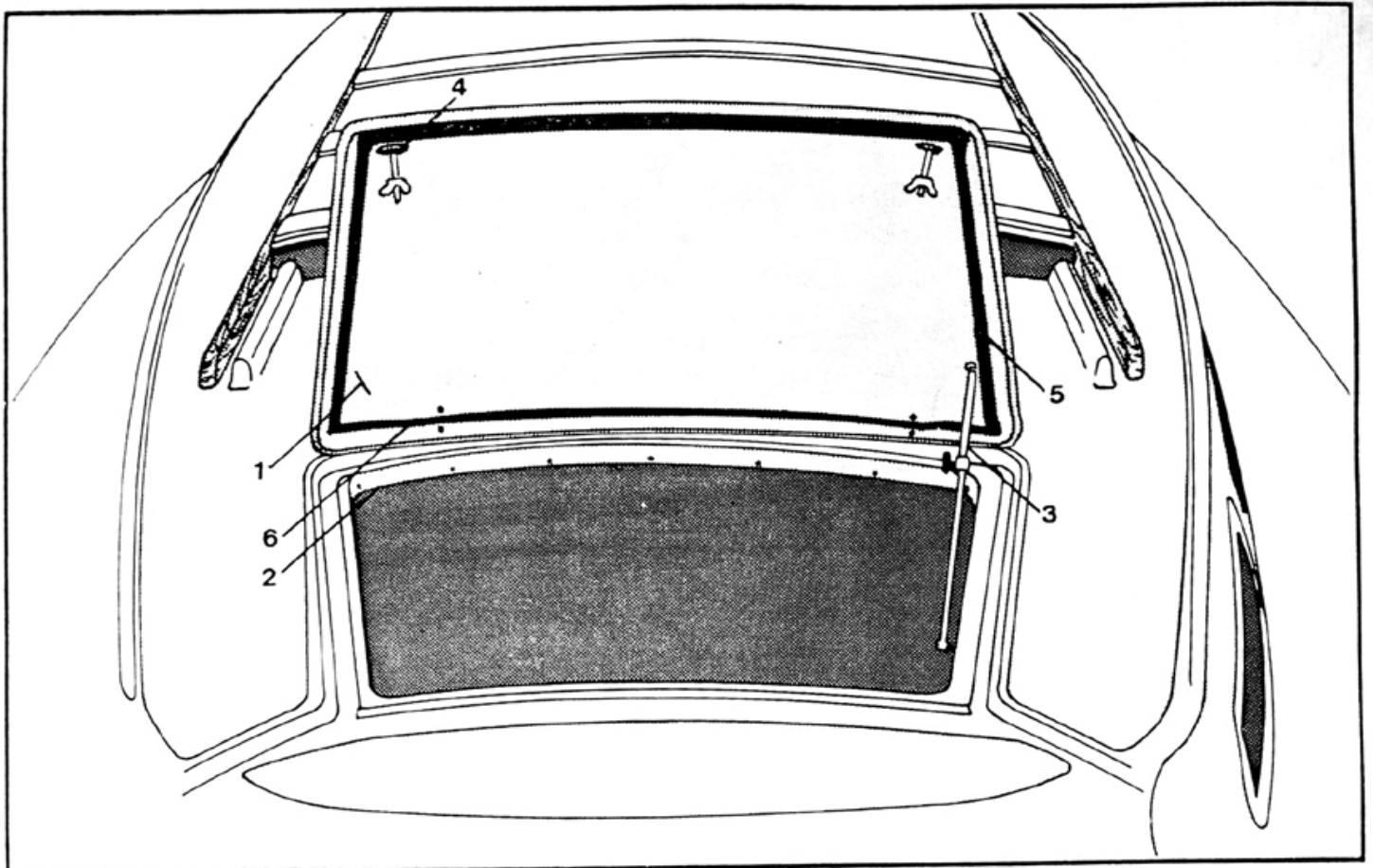
ref.	Part Number	Description	std. opt
1	H 28 01 01 610	SINGLE RAIL SINGLE LIFELINE BOW PULPIT	1
	H 28 01 05 610	DOUBLE RAIL DOUBLE LIFELINE BOW PULPIT	1
	H 28 01 07 610	DOUBLE RAIL DOUBLE LIFELINE BOW PULPIT, FOR BOW SPRIT OPTION	1
	H 28 01 01-07F	FASTENER KIT: (12) 1/4"-20 x 2 " SLOT RHMS, S.S. (12) 1/4" FLAT WASHER, S.S. (12) 1/4" LOCK WASHER, S.S. (12) 1/4"- 20 HEX NUT, S.S.	1
2	H 28 08 11 900	LIFELINE TURNBUCKLE , S.S., COMPLETE .	2
3	H 28 08 13 740	LOCK NUT FOR LIFELINE TURNBUCKLE	2
4	H 22 08 01 900	BOW PLATE W/TANG, S.S.	1
	H 22 08 01F	FASTENER KIT: (4) 3/8"-16 x 1 1/2" RHMS, S.S. (4) 3/8" FLAT WASHER, S.S. (4) 3/8" LOCK WASHER, S.S. (4) 3/8"-16 HEX NUT, S.S. (1) 5/16"-18 x 2 " RHMS, S.S. (1) 5/16" FLAT WASHER, S.S. (1) 5/16" LOCK WASHER, S.S. (1) 5/16"-18 HEX NUT, S.S.	1



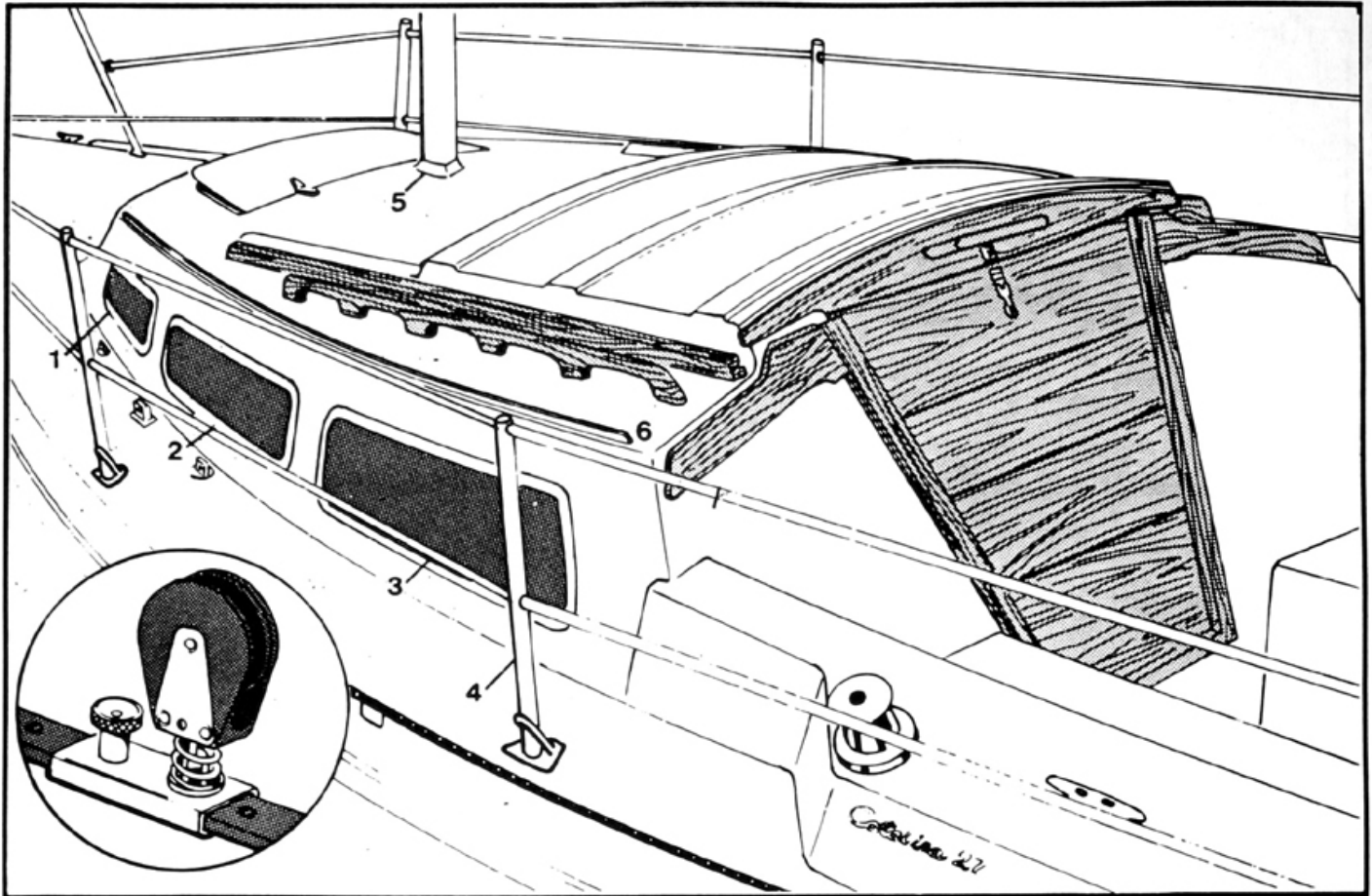
ref	Part Number	Description	std	opt
1	H 33 01 01 900	5/16"-18 TURNBUCKLE, S.S., COMPLETE	8	
	H 33 01 03 740	RIGHT HAND LOCK NUT, S.S. 5/16"-18	8	
	H 33 01 05 740	LEFT HAND LOCK NUT, S.S. 5/16"-18	8	
2	H 26 15 01 620	COWL VENT W/FLANGE AND CAP		1
	H 26 15 01 F	FASTENER KIT: (3) #8 x 3/4" PHIL. PHSMS, S.S.		1
	H 74 01 01 497	STARBOARD RUNNING LIGHT, GREEN	1	
3	H 74 01 03 497	PORT RUNNING LIGHT RED	1	
	H 74 01 01-03F	FASTENER KIT: (2) #10 x 3/4" SLOT. OHSMS, S.S.	2	
4	H 24 09 01 760	MOORING CLEAT	4	
	H 24 09 01F	FASTENER KIT: (2) 1/4"-20 x 2 1/4" SLOT. FHMS, S.S.	4	
		(2) 1/4" FLAT WASHER, S.S.		
		(2) 1/4" LOCK WASHER, S.S.		
		(2) 1/4"-20 HEX NUT, S.S.		
5	H 22 02 01 105	ALUMINUM RUB RAIL, 3 LENGTHS PER BOAT, 60'-0"	3	
	H 22 02 01F	FASTENER KIT: (60) #10 x 1" PHIL. PHSMS, S.S.	3	
		NOTE: ONE FASTENER KIT PER SECTION.		
6	H 22 03 01 036	BROWN VINYL RUB RAIL INSERT, 60'-0"	1	



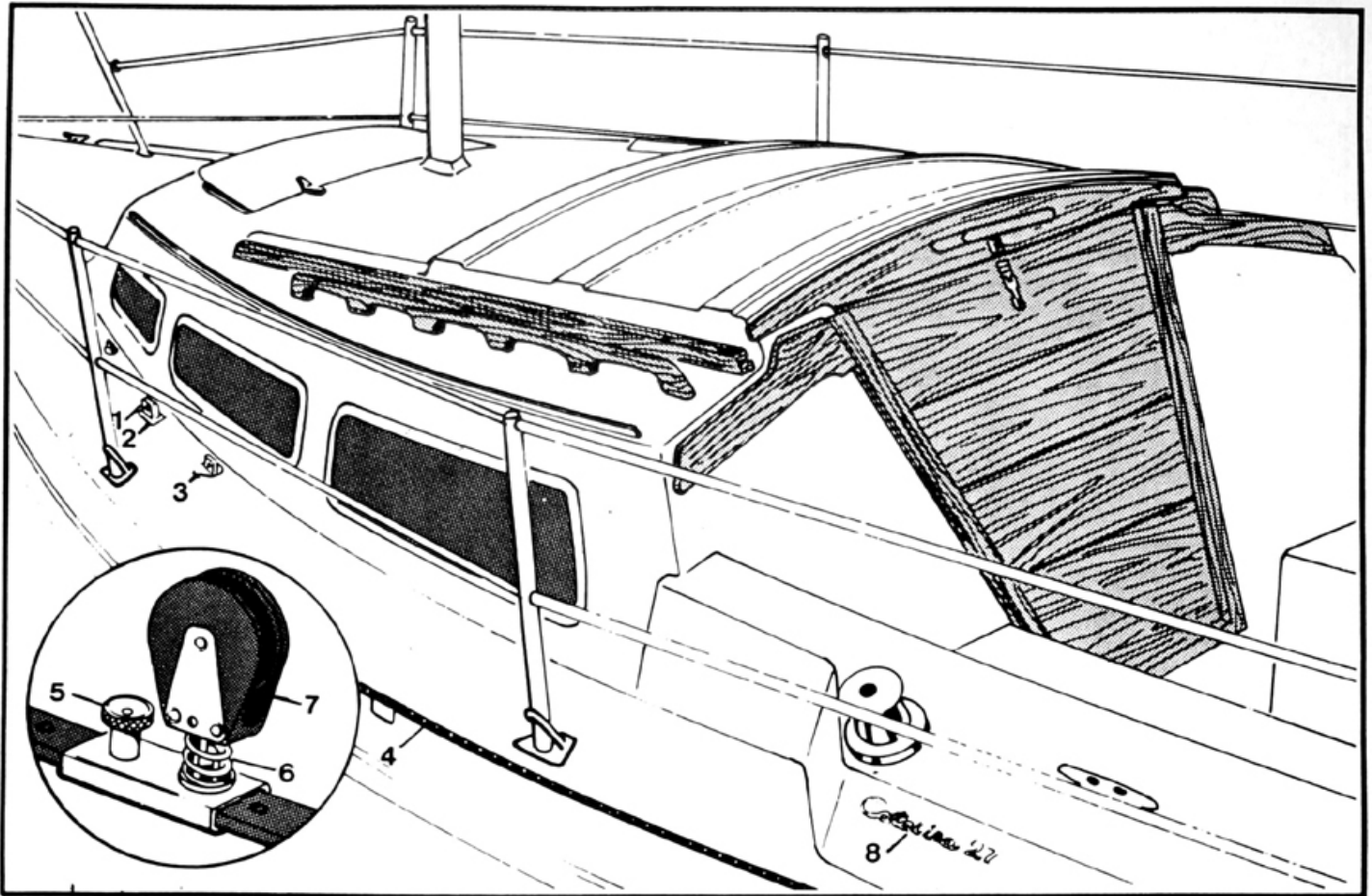
ref	Part Number	Description	std	opt
1	H 22 06 01 900	BOW SPRIT DECK PLATE, S.S.		1
2	H 22 06 03 285	BOW SPRIT SHIM, TEAK		1
3	H 22 06 05 285	BOW SPRIT, TEAK		1
	H 22 06 01-05F	FASTENER KIT: (4) 5/16"-18 x 2" SLOT. RHMS, S.S. (4) 5/16"-18 x 2 1/2" HHMB, S.S. (1) 5/16"-18 x 5" THREAD, S.S. (10) 5/16" FLAT WASHER, S.S. (10) 5/16" LOCK WASHER, S.S. (10) 5/16"-18 HEX NUT, S.S.		1
4	H 22 06 07-900	BOW SPRIT STRAP, S.S.		2
	H 22 06 07F	FASTENER KIT: (4) 5/16"-18 x 2" SLOT, RHMS, S.S. (1) 5/16"-18 x 7 1/4" THREAD, S.S. (6) 5/16" FLAT WASHER, S.S. (6) 5/16" LOCK WASHER, S.S. (6) 5/16"-18 HEX NUT, S.S. (2) #10 x 2" OHSMS, S.S. (2) #10 FINISH WASHER, S.S.		2
5	H 22 06 09 900	BOW PLATE W/TANG		1
	H 22 06 09F	FASTENER KIT: (4) 5/16"-18 x 2" SLOT. RHMS, S.S. (4) 5/16" FLAT WASHER, S.S. (4) 5/16" LOCK WASHER, S.S. (4) 5/16"-18 HEX NUT, S.S.		1
6	H 22 06 11 100	BOB STAY, 1 x 19, 3/16" x 38 1/2" LONG EYE TO EYE		1
	H 22 06 13 900	5/16" x 3/4" F.H. RIVET, S.S.		2
	H 22 06 15 740	3/32" x 1 1/2" COTTER PIN, S.S.		2
7	H 22 06 17 900	HULL TANG, S.S.		1
	H 22 06 19 900	BACK UP PLATE, S.S.		1
	H 22 06 17-19F	FASTENER KIT: (3) 3/8"-16 x 1 1/2" SLOT, RHMS, S.S. (3) 3/8" LOCK WASHER, S.S. (3) 3/8" FLAT WASHER, S.S. (3) 3/8"-16 HEX NUT, S.S.		1
	H 22 06 21 285	LINER COVER, INSIDE FOREPEAK (COVERS ACCESS HOLE IN LINER)		1
	H 22 06 21F	FASTENER KIT: (2) #10 x 1 1/4" SLOT, OHSMS, S.S. (2) #10 FINISH WASHER, S.S.		1
	H 22 06 00 100	BOW SPRIT ASSEMBLY COMPLETE		1



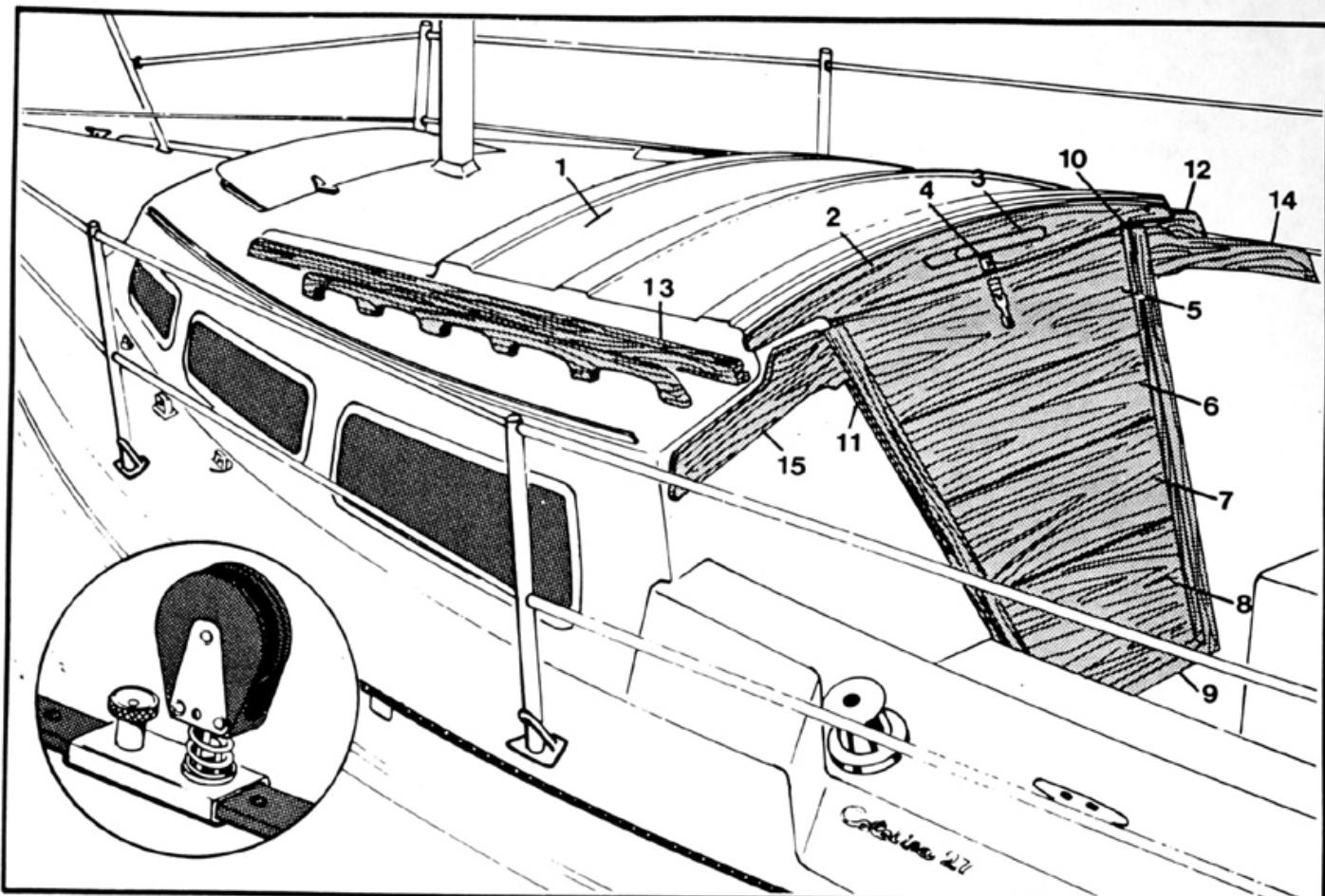
ref	Part Number	Description	std	opt
1	H 26 01 01 100	HATCH COVER, FIBERGLASS	1	
2	H 26 01 03 012	MOLDING TRIM, WHITE VINYL, 94"	1	
	H 26 01 03F	FASTENER KIT: (20) #8 x 3/4" PHIL. PHSMS, S.S.	1	
3	H 26 01 05 497	HATCH ADJUSTOR, CHROME PLATED	1	
	H 26 01 05F	FASTENER KIT: (2) #6-32 x 1" SLOT, PHSMS, S.S.	1	
		(2) #6 FLAT WASHER, S.S.		
		(2) #6 LOCK WASHER, S.S.		
		(2) #6-32 HEX NUT, S.S.		
		(2) #8 x 3/4" PHIL PHSMS, S.S.		
	26 01 07 008	HINGE, S.S.	2	
	26 01 07F	FASTENER KIT: (6) #10 x 3/4" SLOT. OHSMS, S.S.	2	
4	H 26 01 09 613	HATCH DOG, CHROME PLATED	2	
	H 26 01 09F	FASTENER KIT: (4) #6-32 x 1" SLOT. PHSMS, S.S.	2	
	H 26 01 11 493	HATCH DOG PLATE, S.S.	2	
	H 26 01 11F	FASTENER KIT: (3) #8 x 3/4" PHIL. PHSMS, S.S.	2	
5	H 26 01 13 920	GASKET TAPE, 1/2" x 1/2" x 66"	1	
6	H 26 01 15 920	GASKET TAPE, 1/2" x 1/4" x 34"	1	
	H 26 01 00 100	FORWARD HATCH ASSEMBLY, COMPLETE	1	



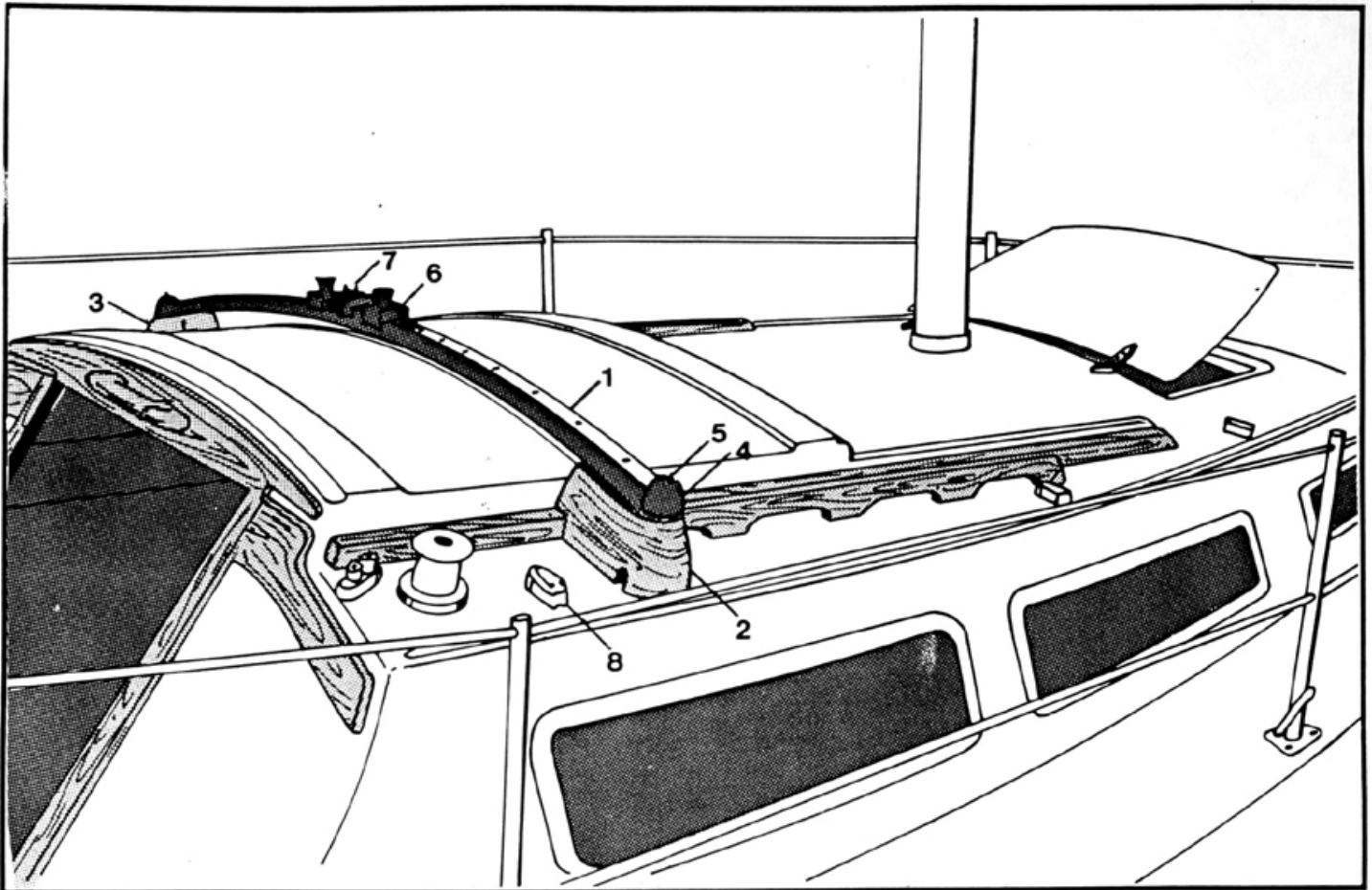
ref	Part Number	Description	std	opt
1	H 26 13 03 460	FORWARD PORT WINDOW W/FRAME	1	
	H 26 13 01 460	FORWARD STARBOARD WINDOW/FRAME	1	
2	H 26 13 01-03F	FASTENER KIT: (28) #8 x 3/4" PHIL. PHSMS, S.S.	2	
	H 26 13 07 460	MIDDLE PORT WINDOW W/FRAME	1	
3	H 26 13 05 460	MIDDLE STARBOARD WINDOW W/FRAME	1	
	H 26 13 05-07F	FASTENER KIT: (32) #8 3/4" PHIL. PHSMS, S.S.	2	
4	H 26 13 11 460	AFT PORT WINDOW/FRAME	1	
	H 26 13 09 460	AFT STARBOARD WINDOW W/FRAME	1	
5	H 26 13 09-11F	FASTENER KIT: (30) #8 x 3/4" PHIL PHSMS, S.S.	2	
	H 28 05 01 610	SINGLE LIFELINE STANCHION SPECIFY 6° OR 10°	6	
6	H 28 05 03 610	DOUBLE LIFELINE STANCHION SPECIFY 6° OR 10°	6	
	H 28 05 01-03F	NOTE: 6° STANCHION IS USED FOR (1) FORWARD STANCHION ON EACH SIDE ONLY FASTENER KIT: (4) 1/4"-20 x 2" SLOT. RHMS, S.S. (4) 1/4" LOCK WASHER, S.S. (4) 1/4" FLAT WASHER, S.S. (4) 1/4"-20 HEX NUT, S.S.	6	
5	H 24 06 01 900	MAST STEP, ALUMINUM CASTING	1	
	H 24 06 01F	FASTENER KIT: (4) 5/16" x 1 1/4" LAG BOLT, S.S.	1	
6	H 24 07 01 255	HINGED MAST STEP W/PIVOT BOLT, S.S.		1
	H 24 11 01 285	HANDRAIL, TEAK		2
	H 24 11 01 F	FASTENER KIT: (12) #10 x 2" SLOT. OHSMS, S.S. (12) #10 FINISH WASHER, S.S.		2



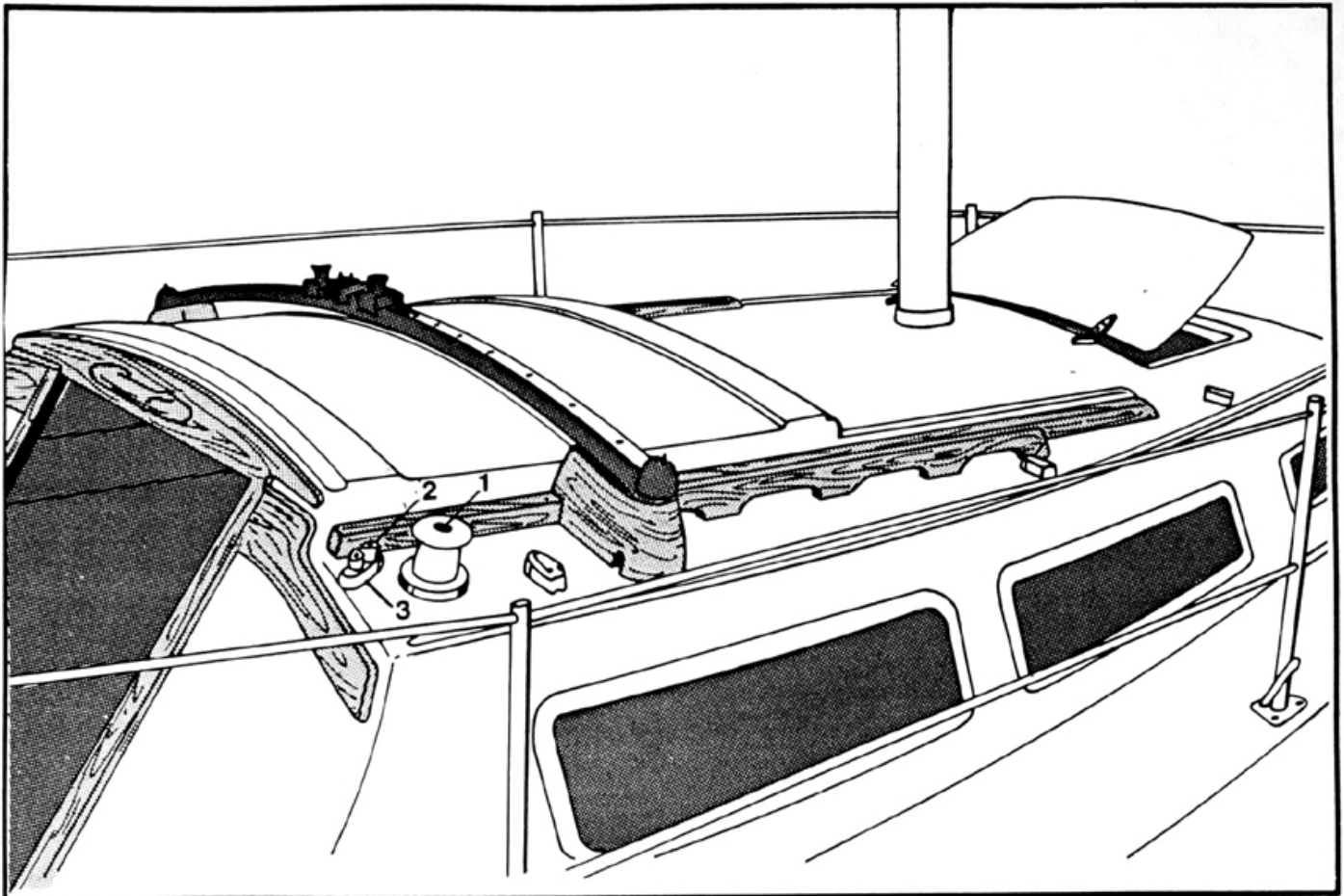
ref	Part Number	Description	std	opt
1	H 22 09 01 900 H 22 09 01F	MAIN CHAINPLATE, S.S. FASTENER KIT: (4) 3/8"-16 x 1 1/2 RHMS, S.S. (4) 3/8" FLAT WASHER, S.S. (4) 3/8" LOCK WASHER, S.S. (4) 3/8"-16 HEX NUT, S.S.	2	2
2	H 22 09 03 900 H 22 09 03F	MAIN CHAINPLATE DECK COVER, S.S. FASTENER KIT: (4) #8 x 3/4" PHIL. PHSMS, S.S.	2	2
3	H 22 10 01 512 H 22 10 03 900 H 22 10 01-03F	LOWER SHROUD 1/2- 13 x 2" CHAINPLATE EYEBOLT BACK UP PLATE, S.S. FASTENER KIT: (1) 1/2" FLAT WASHER, S.S. (1) 1/2" LOCK WASHER, S.S. (1) 1/2" -13 HEX NUT, S.S.	4	4
	H 23 01 01 900 H 23 01 01F	4'-0" JIB TRACK FASTENER KIT: (13)1/4"-20 x 3" SLOT. FHMS, S.S. (13)1/4" FLAT WASHER, S.S. (13)1/4" LOCK WASHER, S.S. (13)1/4"-20 HEX NUT, S.S. (1) #14 FINISH WASHER, S.S.	2	2
4	H 23 01 03 900 H 23 01 03F	14'-0" GENOA TRACK FASTENER KIT: (42)1/4"-20 x 3" SLOT. FHMS, S.S. (42)1/4" FLAT WASHER, S.S. (42)1/4" LOCK WASHER, S.S. (1) #14 FINISH WASHER, S.S. (42)1/4"-20 HEX NUT, S.S.	2	2
5	H 34 01 01 530	GENOA CAR	2	
6	H 34 01 05 725	STAND UP SPRING	2	
7	H 34 01 03 725	GENOA BLOCK	2	
8	H 25 06 01 047	LOGO "CATALINA 27"	2	



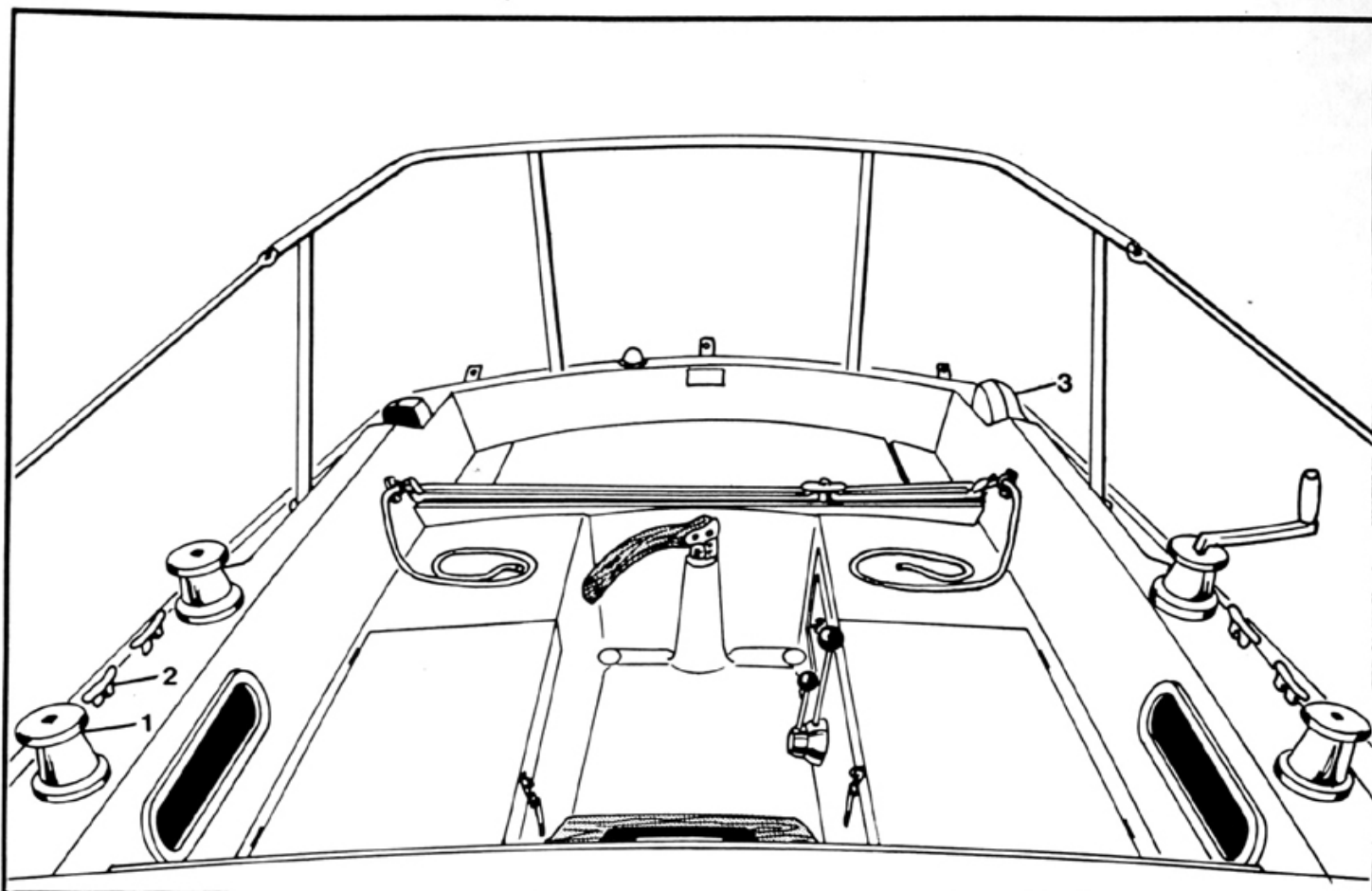
ref.	Part Number	Description	std	opt
1	H 26 03 03 100	SLIDING HATCH, FIBERGLASS	1	
	H 26 03 05 285	SLIDING HATCH TEAK TRIM (FWD)	1	
	H 26 03 05F	FASTENER KIT: (10) #8 x 3/4" PHIL. PHSMS, S.S.	1	
2	H 26 03 07 285	WEATHERBOARD	1	
	H 26 03 07F	FASTENER KIT: (12) #8 x 3/4" PHIL. PHSMS, S.S.	1	
3	H 26 03 11 285	SLIDING HATCH HANDLE, TEAK	1	
	H 26 03 11F	FASTENER KIT: (2) #10 x 1 1/2" SLOT. OHSMS, S.S. (2) #10 FINISH WASHER, S.S.	1	
4	H 26 03 09 497	HASP AND EYE, CHROME PLATED	1	
	H 26 03 09F	FASTENER KIT: (8) #6 x 3/8" PHIL. PHSMS, S.S.	1	
5	H 26 03 23 285	1st (TOP) HATCH BOARD, TEAK	1	
6	H 26 03 25 285	2ND HATCH BOARD, TEAK	1	
7	H 26 03 27 285	3RD HATCH BOARD, TEAK	1	
8	H 26 03 29 285	4TH (BOTTOM) HATCH BOARD, TEAK	1	
9	H 26 03 31 285	EXTERIOR THRESHOLD, TEAK:	1	
	H 26 03 31F	FASTENER KIT: (3) #10 x 1 1/2" SLOT. OHSMS, S.S.	1	
	H 26 03 33 285	INTERIOR THRESHOLD, TEAK	1	
	H 26 03 31-33F	FASTENER KIT: (4) #10 x 2" SLOT. OHSMS, S.S.	1	
10	H 26 03 35 285	STARBOARD, EXTERIOR COMPANIONWAY TRIM, TEAK	1	
11	H 26 03 37 285	PORT EXTERIOR COMPANIONWAY TRIM, TEAK	1	
	H 26 03 35-37F	FASTENER KIT: (5) #10 x 2" SLOT. OHSMS, S.S.	2	
12	H 26 03 43 285	STARBOARD RAILWOOD, TEAK	1	
13	H 26 03 45 285	PORT RAILWOOD, TEAK	1	
	H 26 03 43-43F	FASTENER KIT: (8) #10 x 2" SLOT. OHSMS, S.S. (8) #10 FINISH WASHER, S.S.	2	
14	H 26 03 47 285	STARBOARD CABIN TRIM, TEAK	1	
15	H 26 03 49 285	PORT CABIN TRIM, TEAK	1	
	H 26 03 47-49F	FASTENER KIT: (6) #10 x 1" SLOT. OHSMS, S.S.	2	



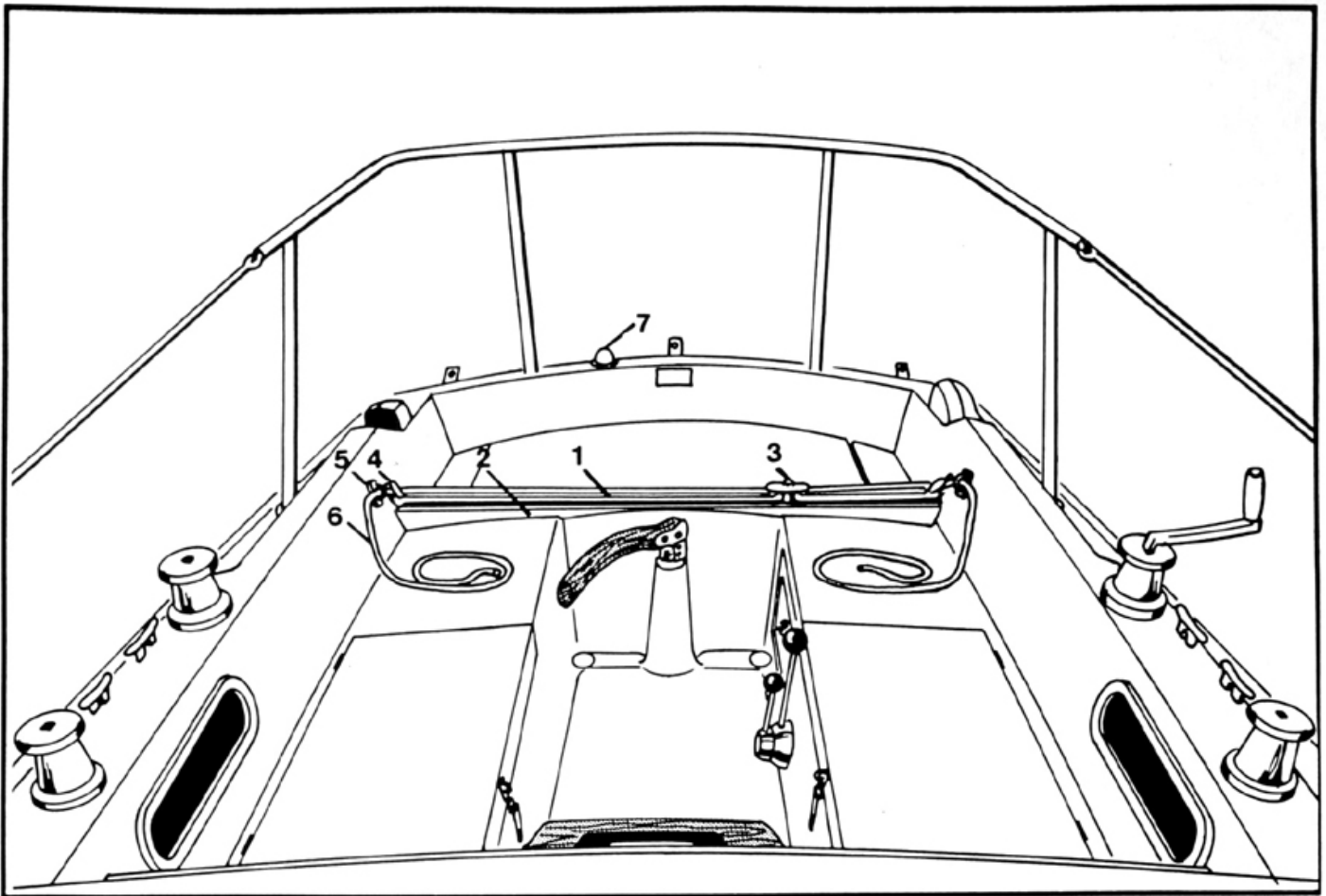
ref	Part Number	Description	std	opt
1	H 23 02 01 530	MIDSHIP TRAVELER TRACK		1
2	H 23 02 03 285	STARBOARD HORSE BLOCK		1
3	H 23 02 05 285	PORT HORSE BLOCK		1
	H 23 02 03-05F	FASTENER KIT: (3) 1/4"-20 x 8" SLOT. FHMS, S.S. (3) 1/4" FLAT WASHER, S.S. (3) 1/4" LOCK WASHER, S.S. (3) 1/4"-20 HEX NUT, S.S. (3) 1/4"-20 CAP HEX NUT, S.S.		2
4	H 23 02 07 530	END STOP, BLACK RUBBER		2
5	H 23 02 09 530	PIN, FOR END STOP, S.S.		2
6	H 23 02 11 530	ADJUSTABLE STOP		2
7	H 23 02 15 530	ROLLER TRAVELER CAR W/SHACKLE		1
8	H 23 02 17 725	CHEEK BLOCK		3
	H 23 02 17F	FASTENER KIT: (3) #10 -24 x 3 1/2" SLOT. FHMS, S.S. (3) #10 FINISH WASHER, S.S. (3) #10 FLAT WASHER, S.S. (3) #10 LOCK WASHER, S.S. (3) #10-24 HEX NUT, S.S. (3) #10-24 HEX CAP NUT, S.S.		3



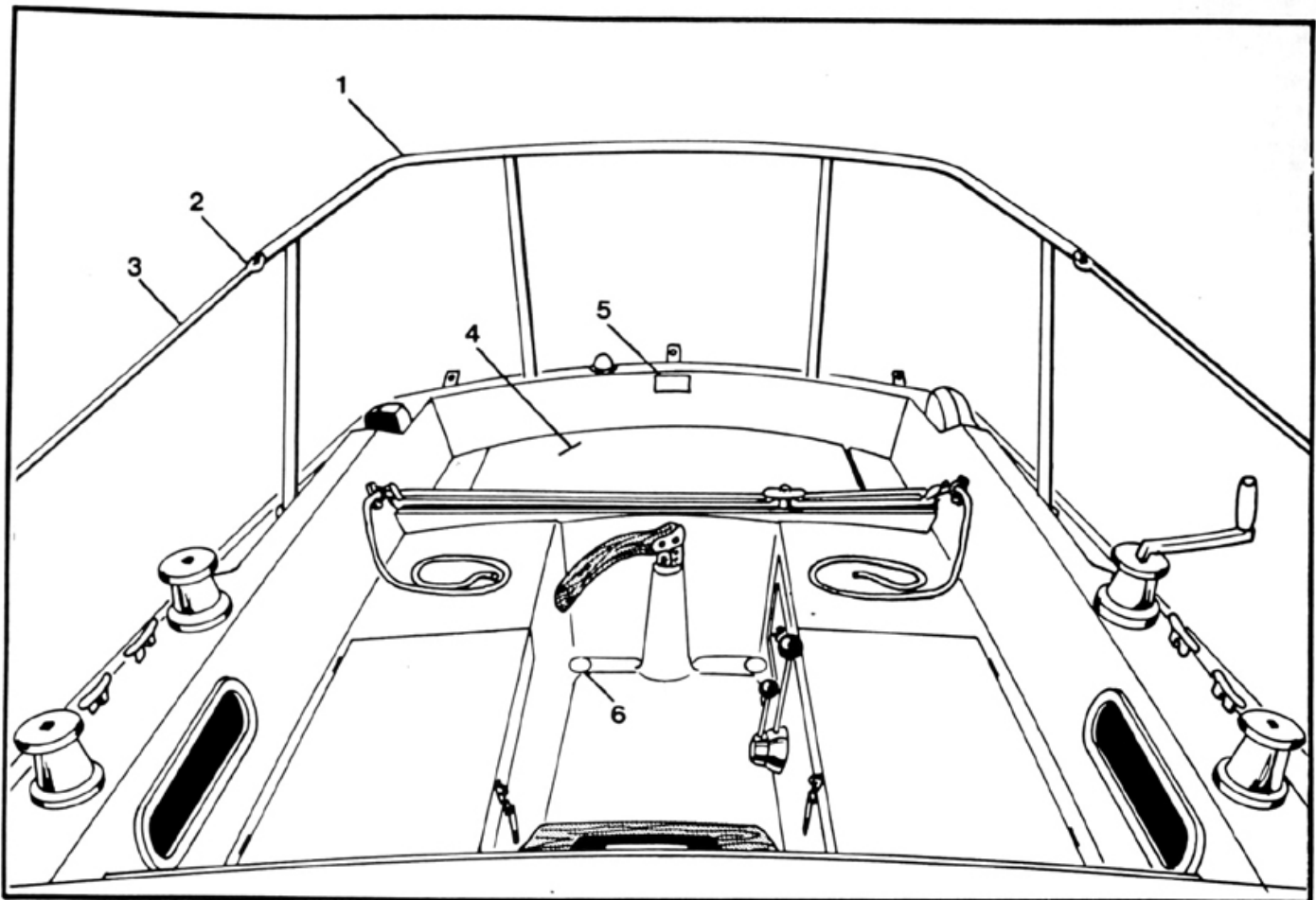
ref	Part Number	Description	std	opt
1	H 23 02 19 478	MIDSHIP TRAVELER WINCH		1
	H 23 02 19F	FASTENER KIT: (4) 1/4"-20 x 2 1/4" SLOT. RHMS, S.S.		1
		(4) 1/4" FLAT WASHER, S.S.		
		(4) 1/4" LOCK WASHER, S.S.		
		(4) 1/4"-20 HEX NUT, S.S.		
		(4) 1/4"-20 HEX CAP NUT, S.S.		
	H 23 02 21 478	WINCH HANDLE, FOR MIDSHIP TRAVELER WINCH		1
2	H 23 02 23 255	MIDSHIP TRAVELER CAM CLEAT, S.S.		1
3	H 23 02 25 285	TEAK PAD		1
	H 23 02 23-25F	FASTENER KIT: (1) #10 x 2" SLOT. OHSMS, S.S.		1
		(1) #10-24 x 3 1/2" SLOT FHMS, S.S.		
		(2) #10 FINISH WASHER, S.S.		
		(1) #10 LOCK WASHER, S.S.		
		(1) #10-24 HEX NUT, S.S.		
		(1) #10-24 HEX CAP NUT, S.S.		
	H 23 02 00 100	MIDSHIP TRAVELER ASSEMBLY, COMPLETE		1



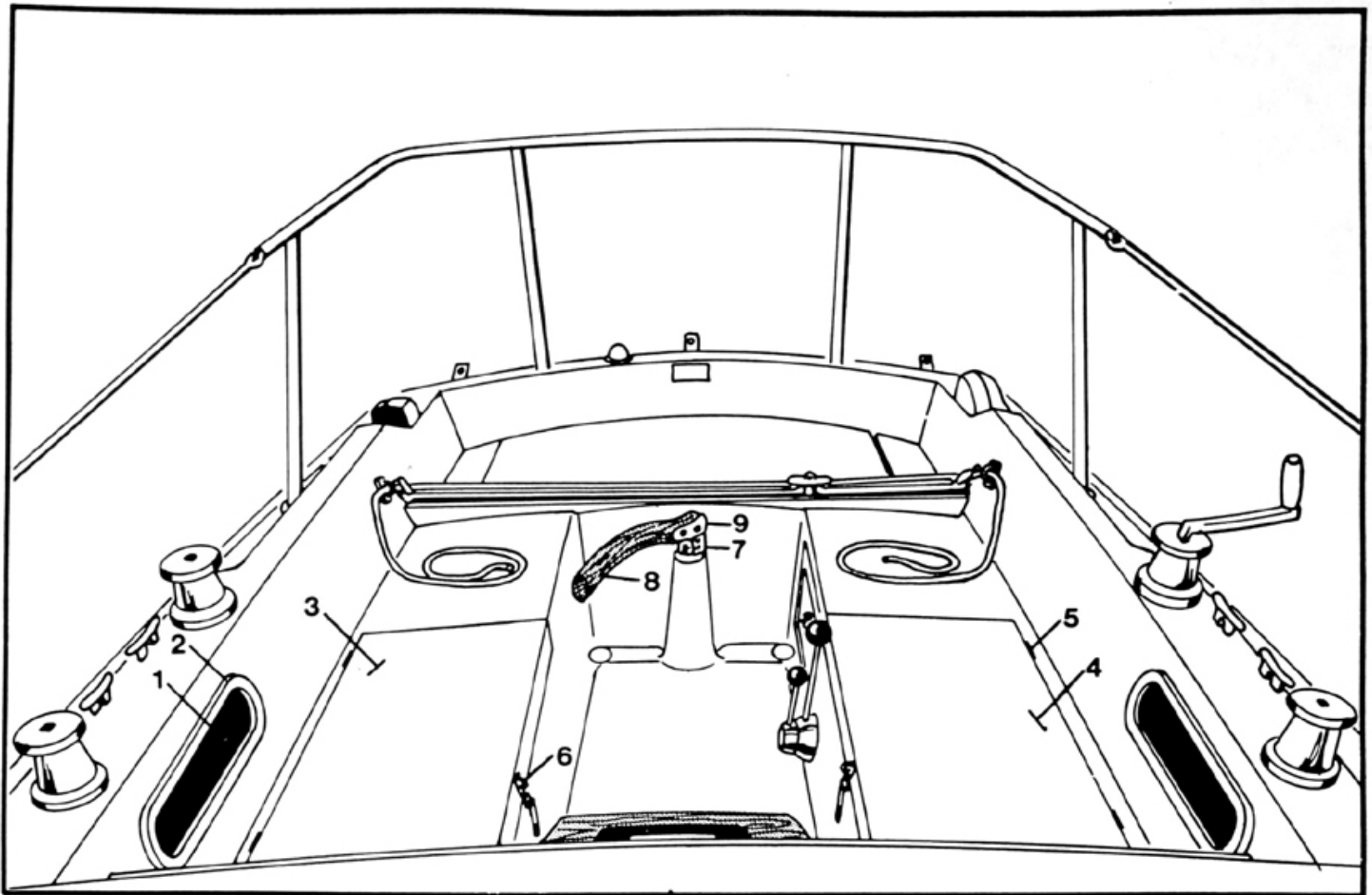
ref	Part Number	Description	std	opt
1	H 24 03 01 478	#1 JIB SHEET WINCH, SINGLE SPEED	2	
	H 24 03 02 478	#2 JIB SHEET WINCH, TWO SPEED		2
	H 24 03 01-02F	FASTENER KIT: (4) 1/4"-20 x 2" SLOT. RHMS, S.S. (4) 1/4" FLAT WASHER, S.S. (4) 1/4" LOCK WASHER, S.S. (4) 1/4"-20 HEX NUT, S.S.	2	2
	H 24 03 03 478	WINCH HANDLE, FOR SHEET WINCHES		1
2	H 24 01 01 760	JIB SHEET JAM CLEAT		2
	H 24 01 01F	FASTENER KIT: (2) 1/4"-20 x 2" SLOT. FHMS, S.S. (2) 1/4" FLAT WASHER, S.S. (2) 1/4" LOCK WASHER, S.S. (2) 1/4"-20 HEX NUT, S.S.		2
3	H 50 03 01 260	ENGINE COMPARTMENT VENT, S.S.	2	
	H 50 03 01F	FASTENER KIT: (3) #8 x 3/4" PHIL PHSMS, S.S.	2	
	H 50 03 03 519	#52 HOSE CLAMP		2
	H 50 03 05 480	VENT HOSE, WIRE REINFORCED, 3" I.D. x 30" FOR OUTBOARD ENGINE		1
	H 60 01 01 723	BILGE PUMP W/HANDLE		1
	H 60 01 01F	FASTENER KIT: (4) 1/4"-20 x 2" SLOT. RHMS, S.S. (4) 1/4"-20 HEX NUT, S.S.		1
	H 60 01 03 335	BILGE PUMP HOSE, 1" I.D. x 7'-0"		1
	H 60 01 05 519	#20 HOSE CLAMP, S.S.		3
	H 60 01 07 280	1" x CLOSE NIPPLE		1
	H 60 01 09 731	1" x 3/4" BELL REDUCER		1
	H 60 01 11 280	3/4" x 1 3/4" HALF THREADED NIPPLE		1
	H 60 01 13 519	#8 HOSE CLAMP		1
	H 60 01 17 035	BILGE PUMP HOSE, 3/4" I.D. x 8'-10", CLEAR VINYL		1
	H 60 01 19 140	THRU HULL, FOR INBOARD ENGINE ONLY		1
	H 60 01 00 100	BILGE PUMP ASSEMBLY, COMPLETE		1



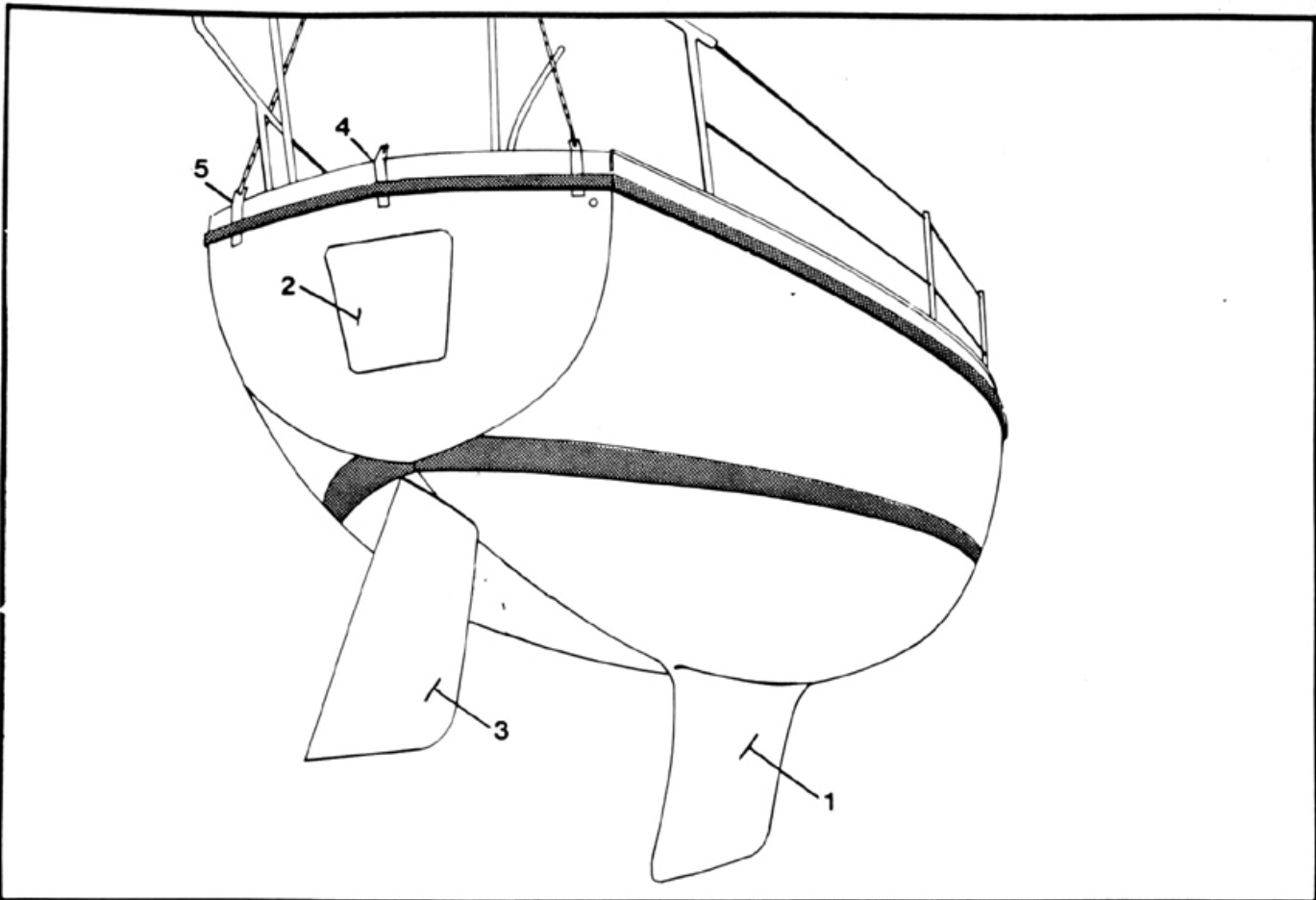
ref	Part Number	Description	std	opt
1	H 23 05 01 715	DELUXE AFT TRAVELER EXTRUSION - 4'-0"		1
2	H 23 05 03 285	DELUXE TRAVELER BACKING, TEAK		2
	H 23 05 01 03F	FASTENER KIT: (12) #10-24 x 3 1/2" SLOT. FHMS, S.S. (12) #10 FLAT WASHER, S.S. (12) #10 LOCK WASHER, S.S. (12) #10-24 HEX NUT, S.S.		1
	H 23 05 05 715	END STOP, BLACK PLASTIC		2
	H 23 05 05F	FASTENER KIT: (1) #10 x 1/4" SLOT. OHSMS, S.S.		2
3	H 23 05 09 715	ROLLER TRAVELER CAR W/SHEAVES		1
4	H 23 05 11 725	SINGLE BLOCK W/BECKET		2
	H 23 05 13 255	PAD EYE, S.S.		2
	H 23 05 13F	FASTENER KIT: (2) #10-24 x 1" SLOT. RHMS, S.S. (2) #10 FLAT WASHER, S.S. (2) #10 LOCK WASHER, S.S. (2) #10-24 HEX NUT, S.S.		2
5	H 23 05 15 715	CAM CLEAT W/FAILEAD		2
	H 23 05 15F	FASTENER KIT: (2) #10-24 x 1" SLOT. RHMS, S.S. (2) #10 FLAT WASHER, S.S. (2) #10 LOCK WASHER, S.S. (2) #10-24 HEX NUT, S.S.		2
6	H 23 05 17 275	ADJUSTER LINE, BRAIDED DACRON, 1/4" x 10'-0"		2
	H 23 05 00 100	DELUXE AFT TRAVELER ASSEMBLY, COMPLETE		1
7	H 75 03 01 497	WHITE, 12 POINT STERN LIGHT	1	



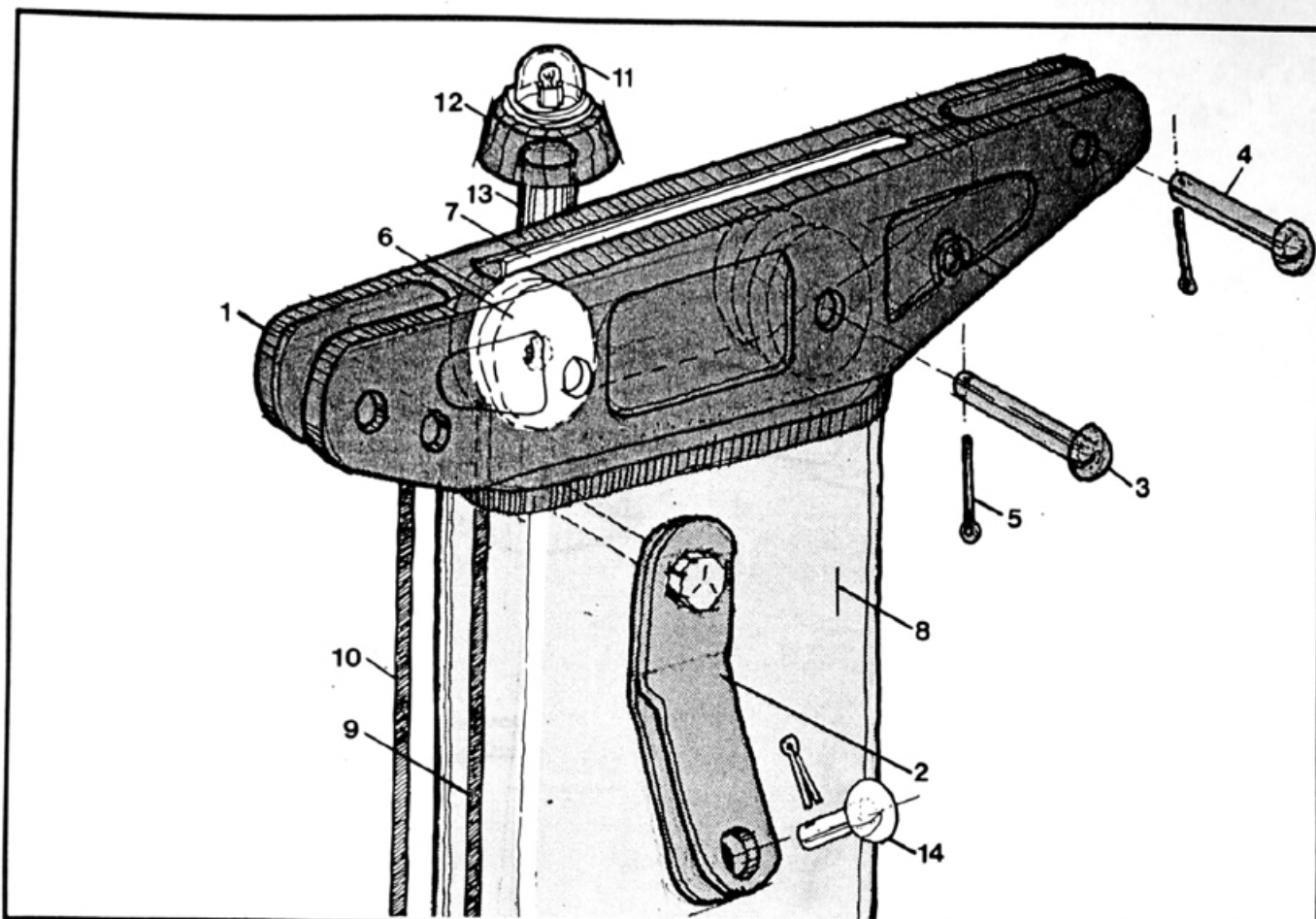
ref.	Part Number	Description	std	opt
1	H 28 03 01 610	SINGLE LIFELINE SINGLE RAIL STERN PULPIT, S.S.		1
	H 28 03 03 610	DOUBLE LIFELINE DOUBLE RAIL STERN PULPIT, S.S.		1
	H 28 03 04 900	STERN PULPIT BACK UP PLATE, BRASS	2	
	H 28 03 01-04F	FASTENER KIT: (6) 1/4"-20 x 2" SLOT. RHMS, S.S. (10) 1/4" FLAT WASHER, S.S. (10) 1/4" LOCK WASHER, S.S. (4) 1/4"-20 x 3/4" SLOT. RHMS, S.S. (10) 1/4"-20 HEX NUT, S.S.		2
2	H 28 07 09-500	PELICAN HOOK		2
3	H 28 07 01 100	SINGLE LIFELINE, FOR SINGLE RAIL PULPITS		2
	H 28 07 03 100	UPPER LIFELINE, FOR DOUBLE RAIL PULPITS		2
	H 28 07 05 100	LOWER LIFELINE, FOR DOUBLE RAIL PULPITS		2
4	H 26 09 01 100	LAZARETTE SEAT HATCH, FIBERGLASS	1	
	H 26 09 03 049	HINGE	2	
	H 26 09 03F	FASTENER KIT: (4) #6-32 x 1" SLOT. FHMS, S.S. (4) #6 FLAT WASHER, S.S. (4) #6 LOCK WASHER, S.S. (4) #6-32 HEX NUT, S.S.		2
	H 26 09 05 920	GASKET TAPE, 1/4" x 3/4" x 39"	1	
	H 26 09 07 255	PAD EYE, S.S.	1	
	H 26 09 07F	FASTENER KIT: (2) #6 x 3/8" PHIL. OHSMS, S.S.	1	
	H 26 09 09 275	LANYARD, BRAIDED DACRON, 3/16" x 36"	1	
5	H 25 02 01 737	HULL IDENTIFICATION PLATE, S.S.	1	
	H 25 02 01F	FASTENER KIT: (2) #10 x 3/4" SLOT. PHSMS, S.S.	1	
6	H 61 01 01 282	COCKPIT SCUPPER SCREEN	2	
	H 61 01 03 909	3/8" DRAIN TUBE		2



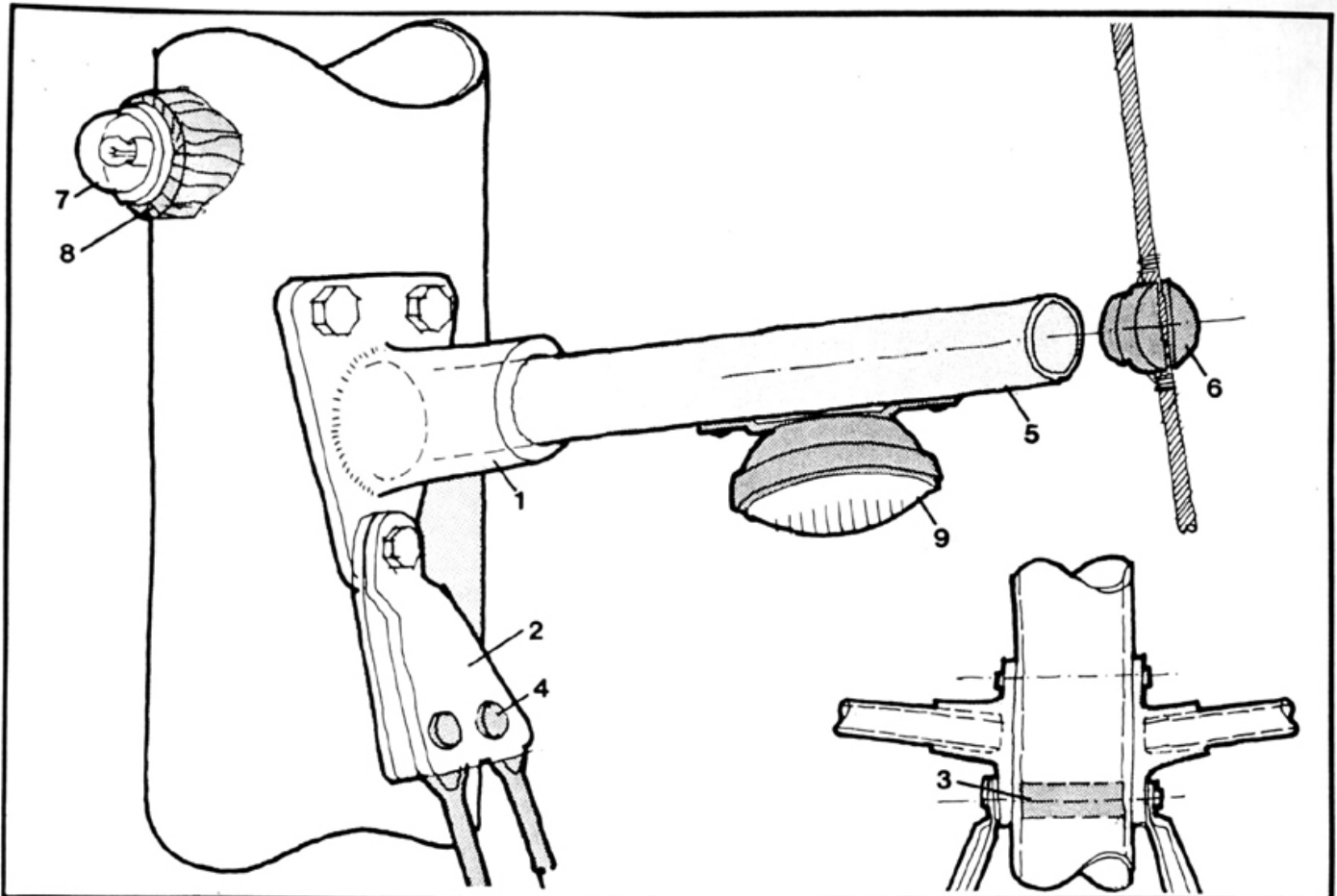
ref.	Part Number	Description	std	opt
1	H 25 01 01 100	COAMING COMPARTMENT LINER, FIBERGLASS		2
2	H 25 01 03 285	TEAK RING		2
	H 25 01 03F	FASTENER KIT: (4) #6-32 5/8" SLOT. FHMS, S.S. (4) #10 FLAT WASHER, S.S. (4) #6-32 HEX NUT, S.S.		2
3	H 26 06 01 100	STARBOARD SEAT HATCH, FIBERGLASS	1	
4	H 26 06 03 100	PORT SEAT HATCH, FIBERGLASS	1	
5	H 26 06 05 049	HINGE	2	
	H 26 06 05F	FASTENER KIT: (4) #6-32 x 1" SLOT. FHMS, S.S. (4) #6 FLAT WASHER, S.S. (4) #6 LOCK WASHER, S.S. (4) #6-32 HEX NUT, S.S.	2	
	H 26 06 07 920	GASKET TAPE, 1/4" x 3/4" x 88"	1	
6	H 26 06 09 497	HASP AND EYE	2	
	H 26 06 09F	FASTENER KIT: (8) #6 x 3/8" PHIL. OHSMS, S.S.	2	
7	H 27 08 07 160	TILLER HEAD, S.S.	1	
	H 27 08 07F	FASTENER KIT: (1) 5/16"-18 x 2 1/2" HHMS, S.S. (1) 5/16"-18 HEX NUT, S.S. (1) 5/16"-18 x 1" HHMS, S.S.	1	
	H 27 08 03 900	RUDDER WASHER, WHITE NYLON	2	
8	H 27 09 03 285	LAMINATED TILLER	1	
9	H 27 09 07 160	TILLER STRAPS, S.S.	1	
	H 27 09 07F	FASTENER KIT: (3) 5/16"-18 x 2 3/4" HHMB, S.S. (3) 5/16" LOCK WASHER, S.S. (3) 5/16"-18 HEX NUT, S.S.	1	
	H 27 10 01 100	TILLER COVER, SPECIFY COLOR		1



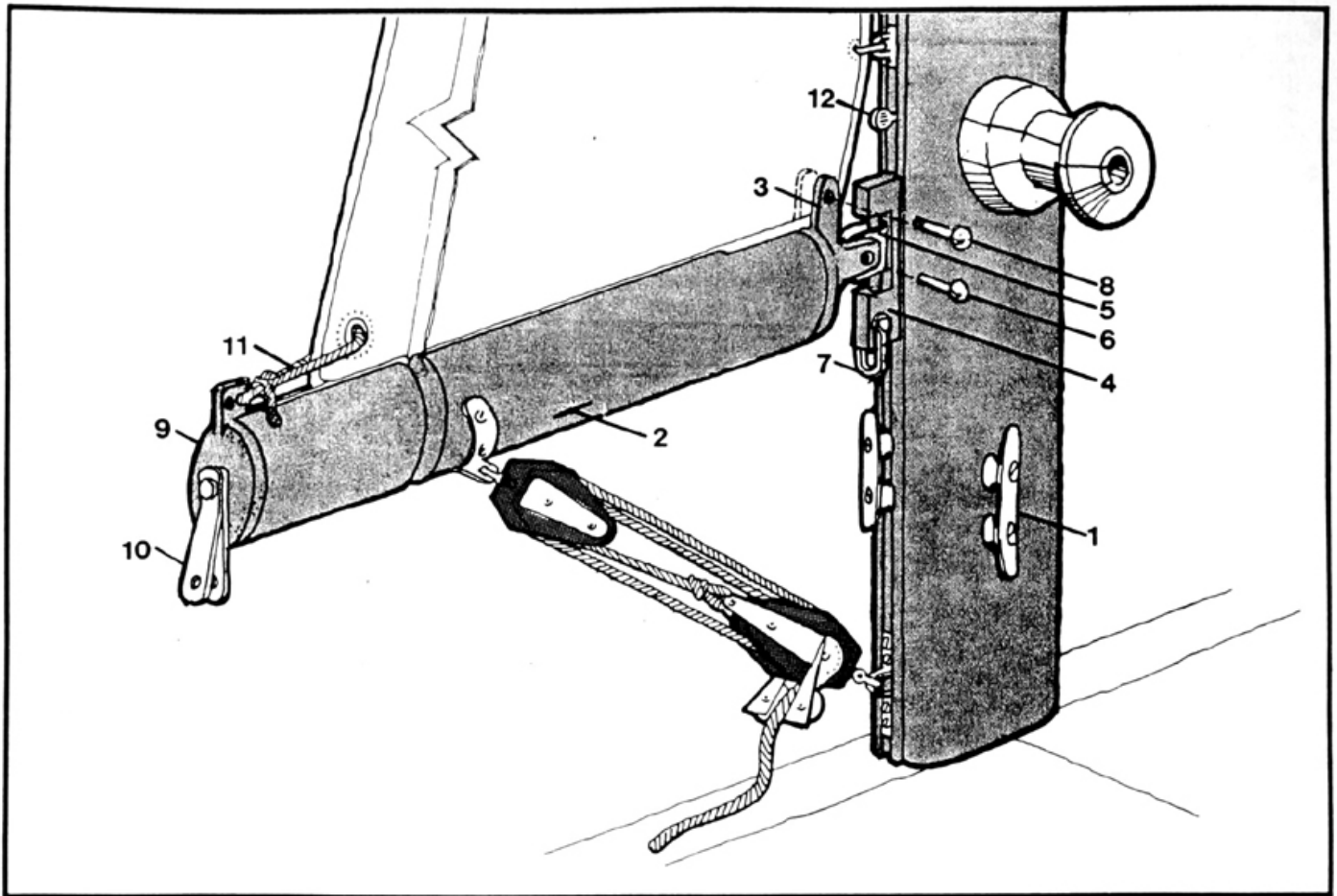
ref.	Part Number	Description	std	opt/
1	H 27 01 01 006 H 27 01 01 F	LEAD KEEL, 2700 POUNDS W/KEEL BOLTS FASTENER KIT: (6) 5/8" FLAT WASHER, S.S. (6) 5/8"-11 HEX NUTS, S.S.	1 1	
	H 27 02 01 006 H 27 02 01F	SHOAL DRAFT KEEL, 3150 POUNDS W/KEEL BOLTS FASTENER KIT: (6) 5/8" WASHERS, S.S. (6) 5/8"-11 HEX NUTS, S.S.		1 1
2	H 27 16 01 100 H 27 16 01F	OUTBOARD WELL HATCH FASTENER KIT: (2) 1/4" FLAT WASHER, S.S. (2) 1/4"-20 WING NUT, S.S.		1 1
	H 27 16 05 900	1/3/4" x 3 1/4" DRAIN TUBE	2	
3	H 27 08 01 100 H 27 08 05 100	RUDDER W/RUDDER POST RUDDER TUBE, FIBERGLASS	1 1	
4	H 22 11 01 900 H 22 11 03 900 H 22 11 01-03F	SINGLE BACKSTAY TANG, S.S. BACK UP PLATE, 1 1/2" x 3" FASTENER KIT: (1) 5/16" - 18 x 2 FHMS, S.S. (2) 5/16"-18 x 1 1/4" SLOT. RHMS, S.S. (3) 5/16" FLAT WASHER, S.S. (3) 5/16" LOCK WASHER, S.S. (3) 5/16"-18 HEX NUT, S.S.	1 1 1 1	
5	H 22 12 01 900 H 22 12 01 F	SPLIT BACKSTAY TANG, S.S. FASTENER KIT: (1) 5/16"-18 x 2 FHMS, S.S. (2) 5.16"-18 x 1 1/4" SLOT. RHMS, S.S. (3) 5/16" FLAT WASHERS, S.S. (3) 5/16" LOCK WASHERS, S.S. (3) 5/16"-18 HEX NUT, S.S.	2 2	



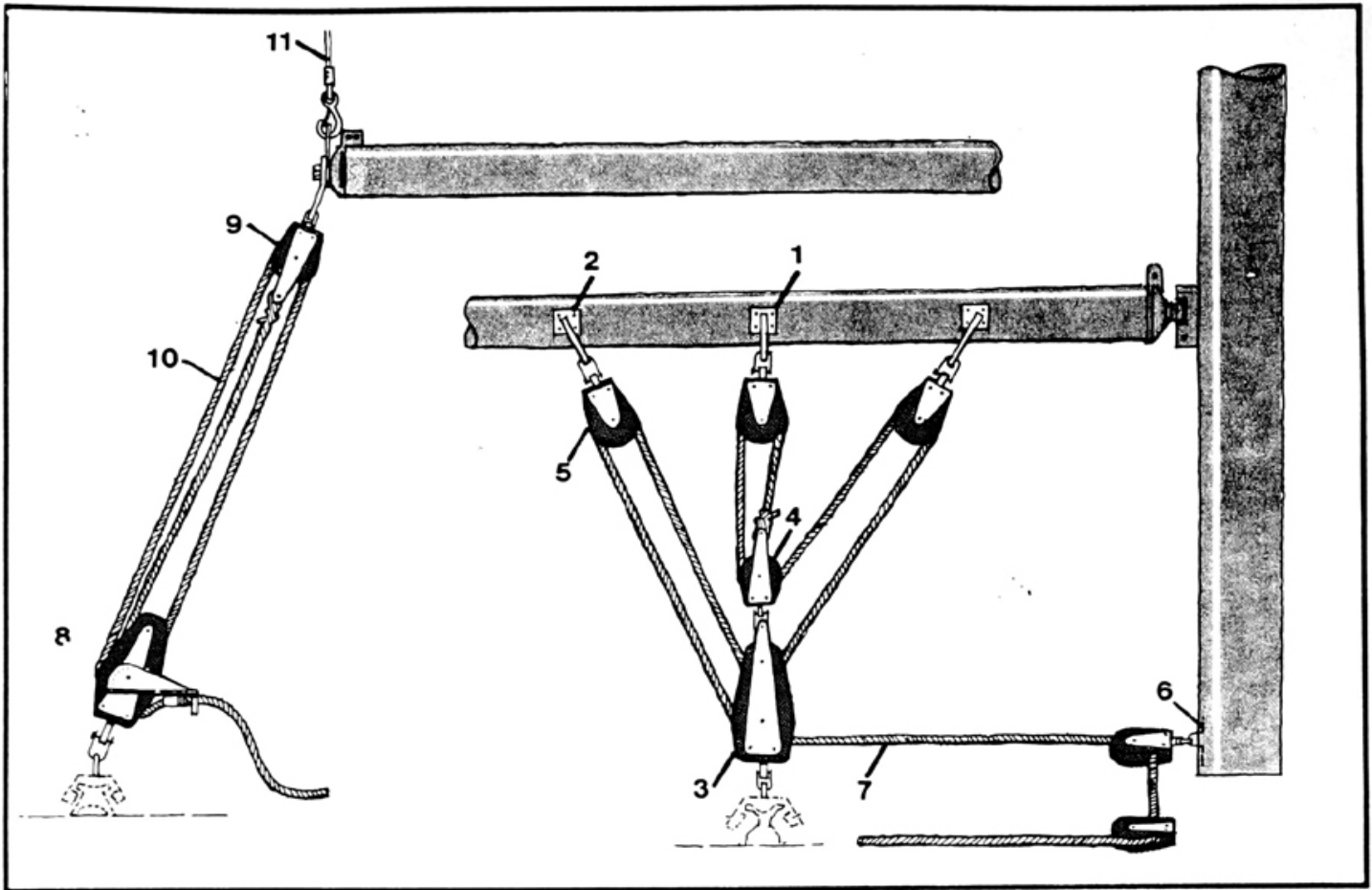
ref	Part Number	Description	std	opt
1	H 30 01 07 900	MAST HEAD, ALUMINUM CASTING	1	
2	H 30 01 09 255	UPPER SHROUD TANG	2	
	H 30 01 09F	FASTENER KIT: (1) 3/8"-16 x 4 1/4" HHMB. S.S. (1) 3/8"-16 CASTLE NUT, S.S. (1) 3/32" x 1 1/2" COTTER PIN	2	
3	H 30 01 11 900	MASTHEAD RIVIT, RH. 5/16" x 2", S.S.	4	
4	H 30 01 13 900	MASTHEAD RIVIT, RH. 3/8" x 2", S.S.	2	
5	H 30 01 15 740	3/32" x 1 1/2" COTTER PIN, FOR MASTHEAD RIVIT	6	
6	H 30 01 19 721	SHEAVE	4	
7	H 30 01 23 900	SPACER ALUMINUM	1	
	H 30 01 05 900	MASTHEAD ASSEMBLY, COMPLETE	1	
8	H 30 01 01 900	MAST, ALUMINUM EXTRUSION, 33'-0"	1	
	H 30 01 03 680	CLEAR ANODIZED MAST, ALUMINUM EXTRUSION 33'-0"		1
9	H 33 05 01 100	MAIN HALYARD WIRE, 7 x 19, 1/8" x 32'-0"	1	
	H 33 05 03 275	MAIN HALYARD TAIL, BRAIDED DACRON, 5/16" x 35'-0"	1	
10	H 33 05 05 100	JIB HALYARD WIRE, 7 x 19, 1/8" x 35'-0"	1	
	H 33 05 07 275	JIB HALYARD TAIL, BRAIDED DACRON, 5/16" x 35'-0"	1	
	H 30 01 70 100	MAST ASSEMBLY, COMPLETE	1	
	H 30 01 75 100	ANODIZED MAST ASSEMBLY, COMPLETE		1
11	H 75 08 01 497	MAST HEAD LIGHT	1	
	H 75 08 01F	FASTENER KIT: (3) #6 x 5/8" PHIL. PHSMS, S.S.	1	
12	H 75 08 03 285	TEAK PAD	1	
	H 75 08 03F	FASTENER KIT: (1) #10-24 x 1" SLOT. FHMS, S.S.	1	
13	H 75 08 05 900	MAST HEAD LIGHT TUBE, ALUMINUM	1	
	H 75 08 05F	FASTENER KIT: (3) #10-24 x 1" SLOT. PHMS, S.S.	1	
	H 75 08 07 097	MAST HEAD LIGHT WIRE, 2 STRAND, 16 GAUGE, 36'-0"	1	
	H 75 08 09 135	MALE CONNECTOR	1	
14	H 30 01 10 900	UPPER SHROUD RIVIT, RH 3/8" x 3/4"	2	



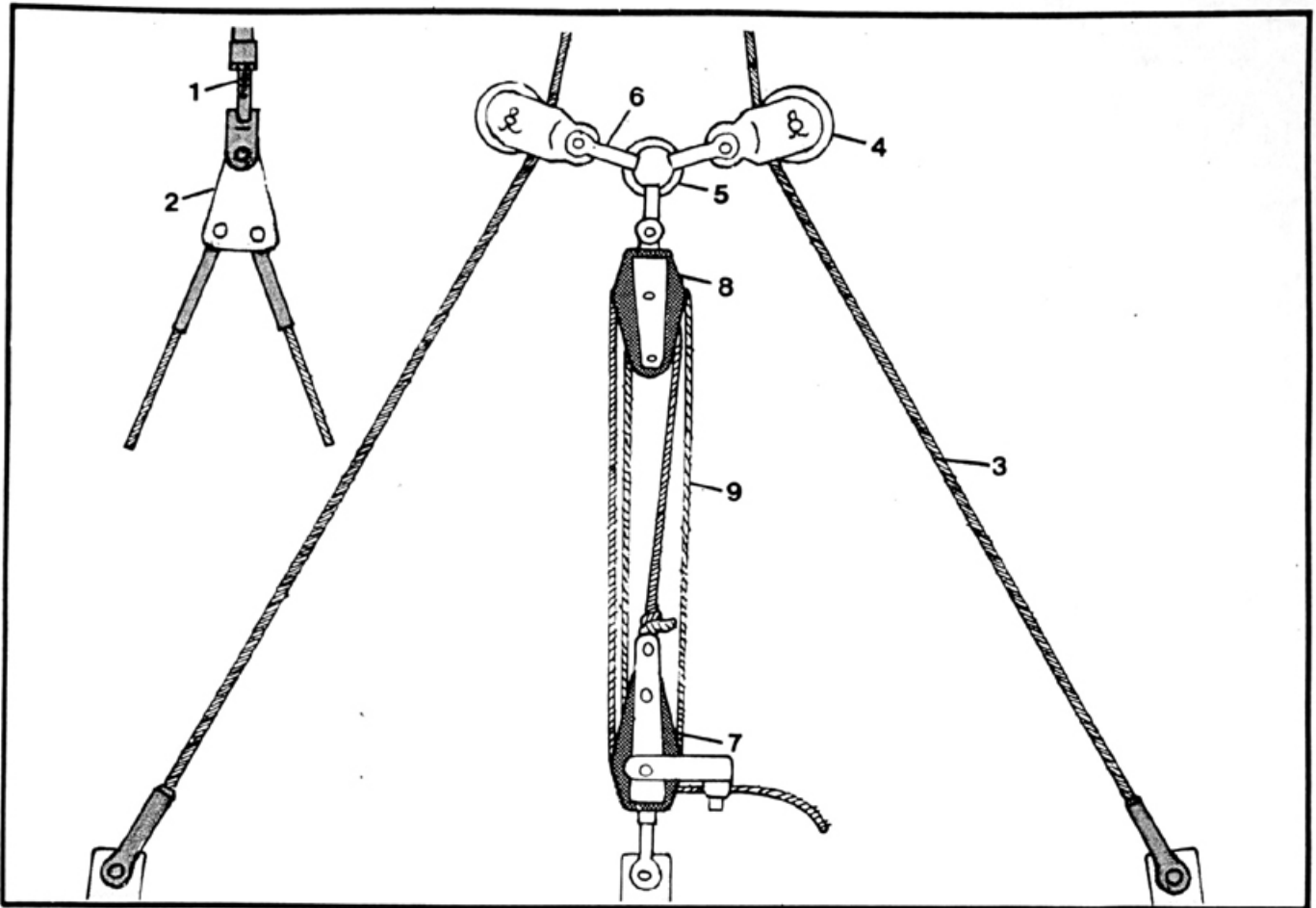
ref	Part Number	Description	std	opt
1	H 30 01 27 900	SPREADER BRACKET, ALUMINUM CASTING	2	
2	H 30 01 29 255	LOWER SHROUD TANG, S.S.	4	
3	H 30 01 31 900	COMPRESSION TUBE, 3 3/16" x 1/2"	1	
	H 30 01 27-31F	FASTENER KIT: (2) 5/16"-18 x 4 1/2" HHMB, S.S. (2) 5/16"-18 CASTLE NUT, S.S. (2) 1/32" x 1/2" COTTER PIN (1) 3/8"-16 x 4 1/2" HHMB, S.S. (1) 3/8"-16 CASTLE NUT, S.S.	1	
4	H 30 01 33 900	FH RIVET, 5/16" x 3/4", S.S. FOR LOWER SHROUD TANG	4	
	H 30 01 35 740	3/32" x 1 1/2" COTTER PIN, FOR LOWER SHROUD RIVET	4	
5	H 30 01 39 900	34" SPREADER	2	
	H 30 01 40 900	CLEAR ANODIZED 34" SPREADER		2
	H 30 01 41 740	1/8" x 2" COTTER PIN, FOR SPREADER	2	
6	H 30 01 43 494	SPREADER PLUG	2	
7	H 75 08 11 497	BOW LIGHT		1
	H 75 08 11F	FASTENER KIT: (3) #6 x 5/8" PHIL. PHSMS, S.S.		1
8	H 75 08 13 285	TEAK PAD		1
	H 75 08 13F	FASTENER KIT: (2) #10-24 x 2" SLOT. FHMS, SS		1
	H 75 08 15 097	BOW LIGHT WIRE, 2 STRAND, 16 GAUGE, 18'-8"		1
	H 75 08 17 135	CONNECTOR		1
9	H 75 08 19 910	SPREADER LIGHT	2	
	H 75 08 19F	FASTENER KIT: (2) #10 x 1" PHIL, PHSMS, S.S.	2	
	H 75 08 21 097	SPREADER LIGHT WIRE, 2 STRAND, 16 GAUGE, 26'-0"	1	
	H 75 08 22 675	RUBBER GROMMET	2	
	H 75 08 23 135	MALE CONNECTOR	1	
	H 75 08 25 135	FEMALE CONNECTOR, ON MAST STEP	1	



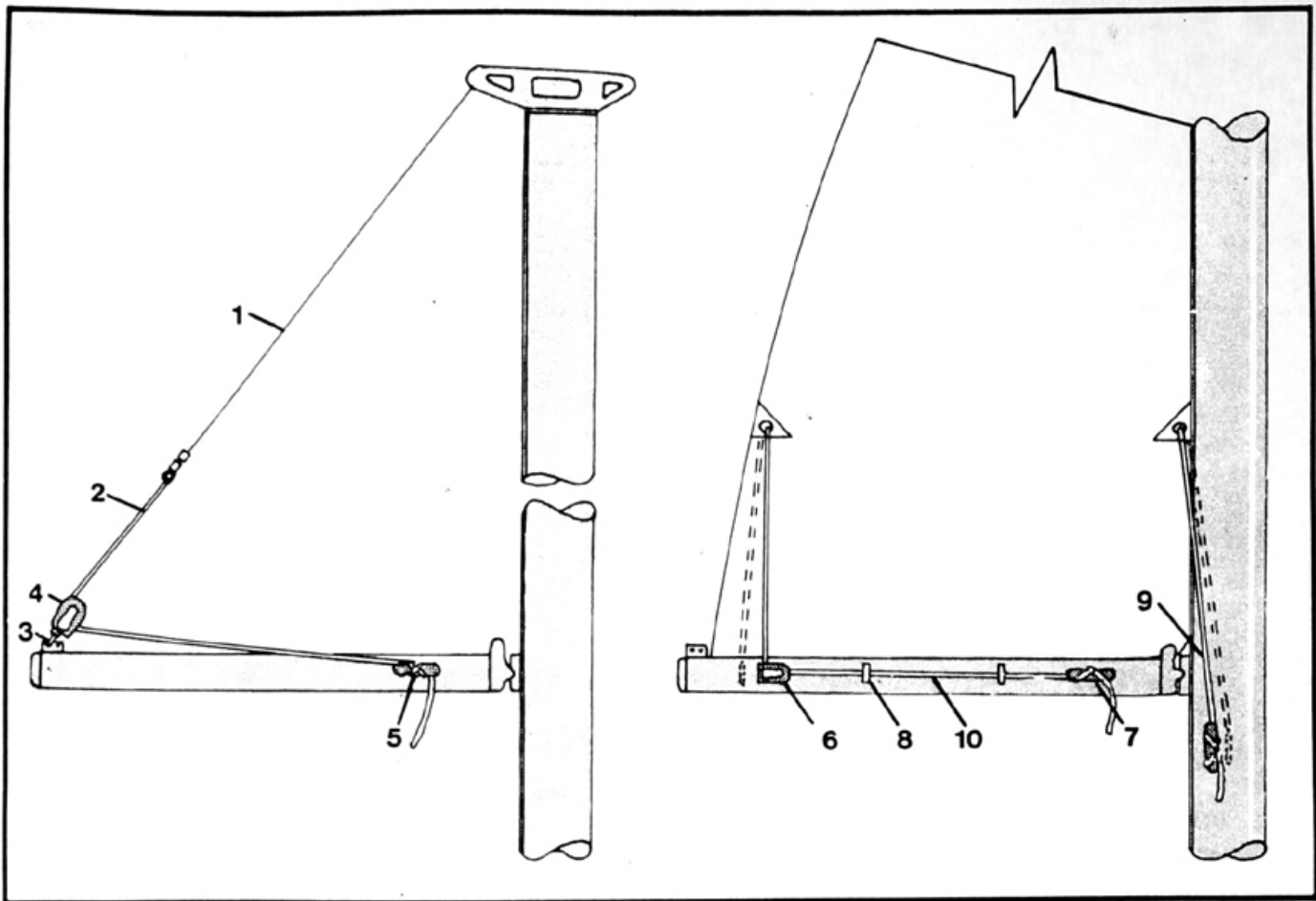
ref	Part Number	Description	std	opt
1	H 30 01 49 760	6" JAM CLEAT	3	
	H 30 01 49 F	FASTENER KIT: (2) 1/4"-20 x 1 3/4" SLOT. FHMS, S.S.	3	
2	H 31 01 01 100	BOOM, ALUMINUM EXTRUSION, 11'-0", MACHINED	1	
	H 31 01 03 650	CLEAR ANODIZED BOOM, ALUMINUM EXTRUSION, 11'-0". MACHINED		1
3	H 31 01 05 900	GOOSENECK CASTING	1	
	H 31 01 05F	FASTENER KIT: (2) #10 x 1" PHIL. PHSMS, S.S.	1	
4	H 31 01 07 900	GOOSENECK SLIDE, ALUMINUM	1	
5	H 31 01 09 255	GOOSENECK SLIDE CLIP	1	
6	H 31 01 11 900	RH RIVIT, 1/4" x 1 3/4", S.S.	1	
	H 31 01 13 740	3/32" x 1 1/2" COTTER PIN, S.S.	1	
7	H 31 01 15 255	SHACKLE	1	
8	H 31 01 17 900	TACK PIN, RH RIVIT, 1/4" x 1 3/4", S.S.	1	
	H 31 01 19 420	SPRING PIN	1	
9	H 31 01 21 900	BOOM END CASTING	1	
	H 31 01 21F	FASTENER KIT: #10 x 1" PHIL PHSMS, S.S.	1	
10	H 31 01 23 255	MAINSHEET TANG	1	
	H 31 01 23F	FASTENER KIT: (1) 3/8"-16 x 1 1/2" SLOT. RHMS, S.S. (2) 3/8" FLAT WASHER, S.S. (1) 3/8"-16 LOCK NUT, S.S.	1	
11	H 33 07 01 275	OUTHHAUL, BRAIDED DACRON, 1/4" x 5'-0"	1	
	H 33 07 03 275	DOWNHAUL, BRAIDED DACRON, 1/4" x 4'-0"	1	
	H 31 01 53 100	BOOM ASSEMBLY, COMPLETE	1	
	H 31 01 55 100	ANODIZED BOOM ASSEMBLY, COMPLETE		1
12	H 30 01 53 740	SAIL SLOT THUMBSCREW	1	



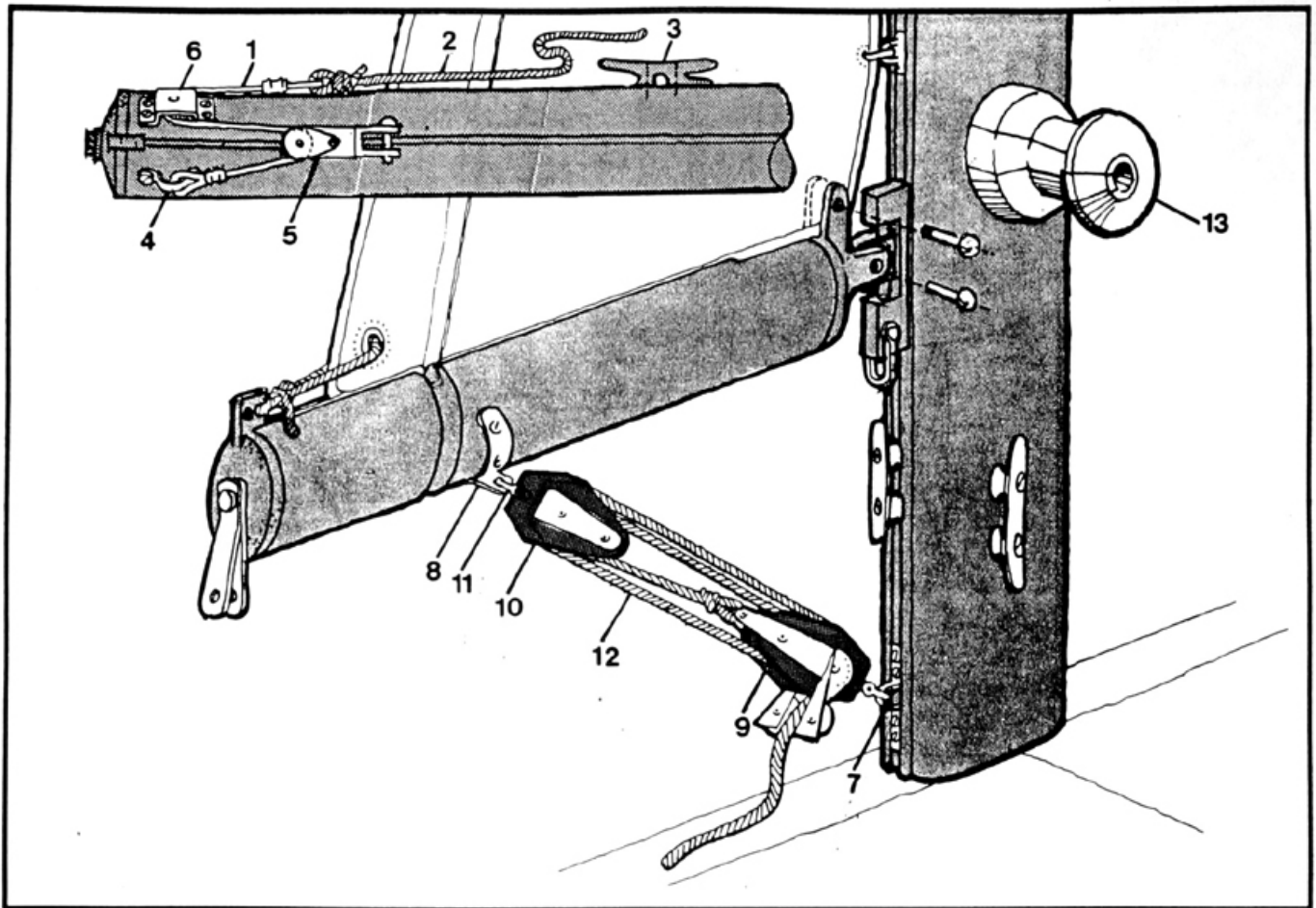
ref	Part Number	Description	std out.
1	H 33 13 09 255	STRAIGHT BOOM BALE, S.S.	1
2	H 33 13 11 255	ANGLED BOOM BALE, S.S.	2
		FASTENER KIT: (6) #10 x 1" PHIL. PHSMS, S.S.	3
3	H 33 13 01 725	MAINSHEET FIDDLE BLOCK	1
4	H 33 13 02 725	SINGLE BLOCK W/BECKET	1
5	H 33 13 03 725	SINGLE BLOCK	4
6	H 33 13 07 255	EYE STRAP, AT FOOT OF MAST	1
7	H 37 01 15 275	MAINSHEET BRAIDED DACRON, 3/8" x 75'-0"	1
8	H 33 12 01 725	MAINSHEET FIDDLE BLOCK W/CAM CLEAT	1
9	H 33 12 03 725	MAINSHEET SINGLE BLOCK W/BECKET	1
10	H 37 01 15 275	AFT TRAVELER MAINSHEET, BRAIDED DACRON, 3/8" x 75'-0"	1
	H 32 01 23 100	TOPPING PIG TAIL, 7 x 19, 3/32" x 2'-3 3/4", FOR SPLIT BACKSTAY	1
11	H 32 01 21 100	TOPPING PIG TAIL, 7 x 19, 3/32" x 3'-2", FOR SINGLE BACKSTAY	1
	H 32 01 45 297	TOPPING PIG TAIL CLIP	1
	H 32 01 41 475	1/8" NICO PRESS SLEEVE	2
	H 32 01 43 297	1/8" THIMBLE	1



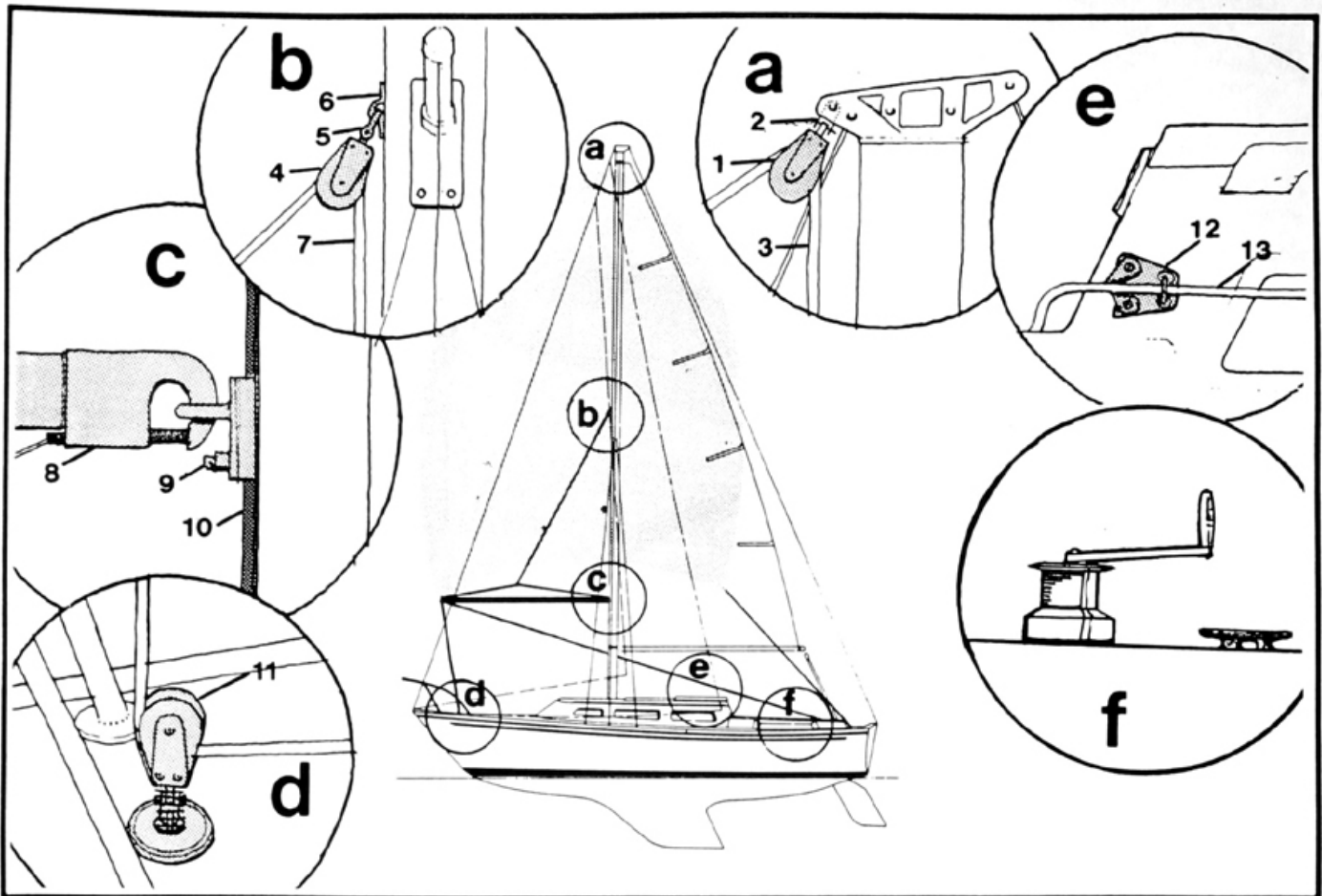
ref	Part Number	Description	std	opt
	H 32 01 11 100	BACKSTAY, 1 x 19, 3/16" x 31'-2 1/2", IN LIEU OF STANDARD	1	
1	H 33 01 01 900	5/16"-18 TURNBUCKLE, COMPLETE	8	
2	H 32 01 15 255	TANG PLATE, S.S., FOR BRIDLE AND BACKSTAY	2	
	H 32 01 17 900	5/16" x 3/4" FH RIVET, FOR BRIDLE	4	
	H 32 01 19 740	3/32" x 1 1/2" COTTER PIN, FOR FH RIVET	4	
3	H 32 01 13 100	BRIDLE, 1 x 19, 3/16" x 5'-8 1/2"	2	
4	H 33 03 05 530	3/16" WIRE BLOCK		2
5	H 33 03 09 010	2" RING		1
6	H 33 03 07 725	SHACKLE		3
7	H 33 03 01 725	FIDDLE BLOCK W/BECKET AND CAM CLEAT		1
8	H 33 03 03 725	FIDDLE BLOCK		1
9	H 33 03 11 275	ADJUSTER LINE, BRAIDED DACRON, 5/16" x 20'-0"		1
	H 33 03 00 100	BACKSTAY ADJUSTER ASSEMBLY, COMPLETE		1



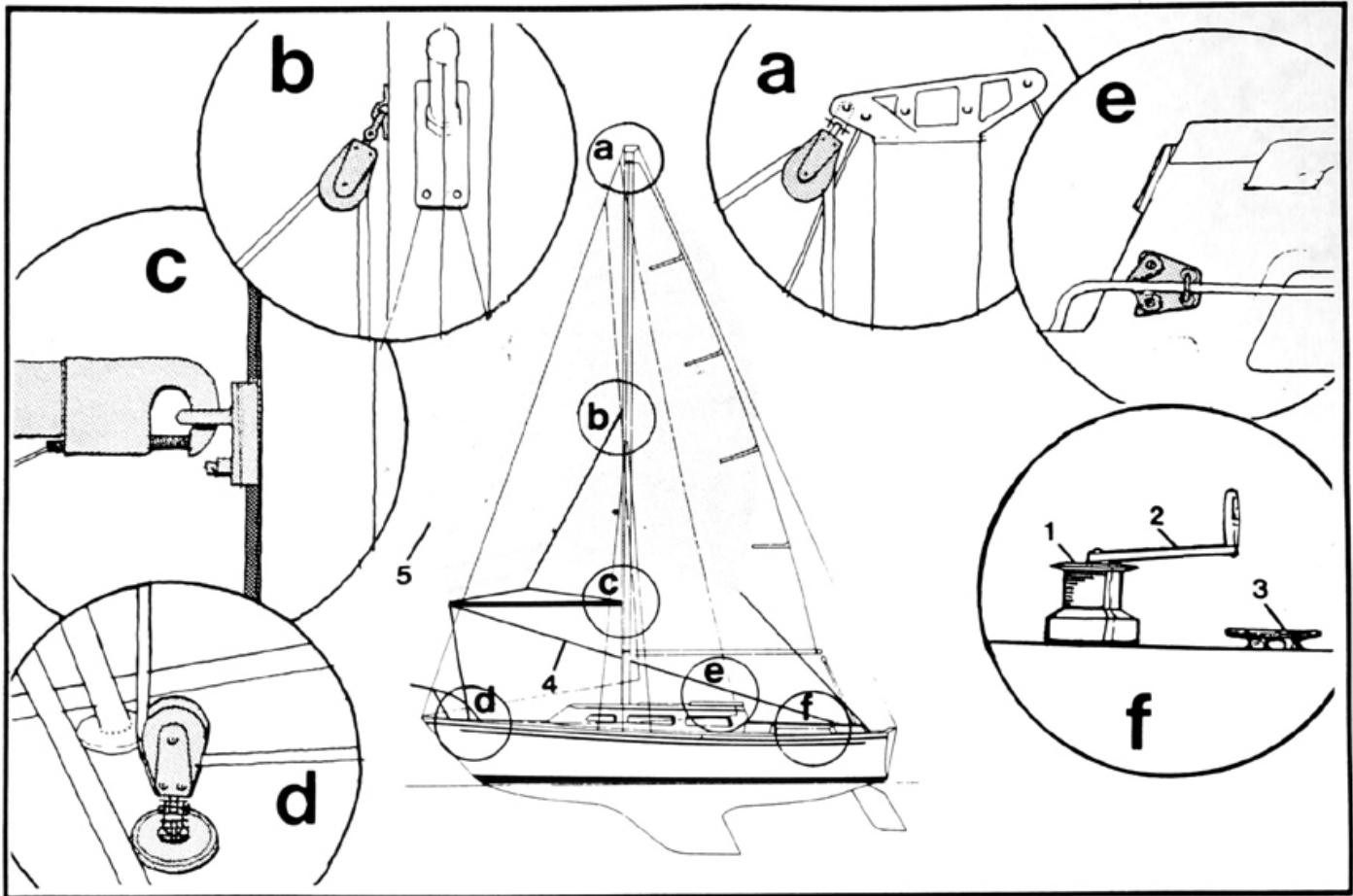
ref	Part Number	Description	std	opt
	H 38 03 00 100	TOPPING LIFT ASSEMBLY, COMPLETE		1
1	H 38 03 01 100	TOPPING LIFT WIRE, 7 x 19, 1/8" x 30'-9"		1
2	H 38 03 03 275	TOPPING LIFT TAIL, BRAIDED DACRON, 1/4" x 16'-0"		1
3	H 38 03 05 715	SHACKLE		1
4	H 38 03 07 725	SINGLE BLOCK		1
5	H 38 03 09 255	4 1/2" JAM CLEAT		1
	H 38 03 09F	FASTENER KIT: (2) #10 x 1 1/2" SLOT. OHSMS, S.S.		1
6	H 35 10 01 725	CHEEK BLOCK		1
	H 35 10 01F	FASTENER KIT: (3) #10-24 x 1 1/4" SLOT, RHMS, S.S.		1
7	H 35 10 03 255	4 1/2" JAM CLEAT		2
	H 35 10 03F	FASTENER KIT: (2) #10-1 1/2" SLOT. OHSMS, S.S.		2
8	H 35 10 05 255	PAD EYE, S.S.		4
	H 35 10 05F	FASTENER KIT: (2) #10 x 1" PHIL. PHSMS, S.S.		4
9	H 35 10 07 275	REEFING LINE, BRAIDED DACRON, 5/16" x 11'-0", FORWARD		1
10	H 35 10 09 275	REEFING LINE, BRAIDED DACRON, 5/16" x 19'-0", AFT		1
	H 35 10 00 100	JIFFY REEFING ASSEMBLY, COMPLETE		1



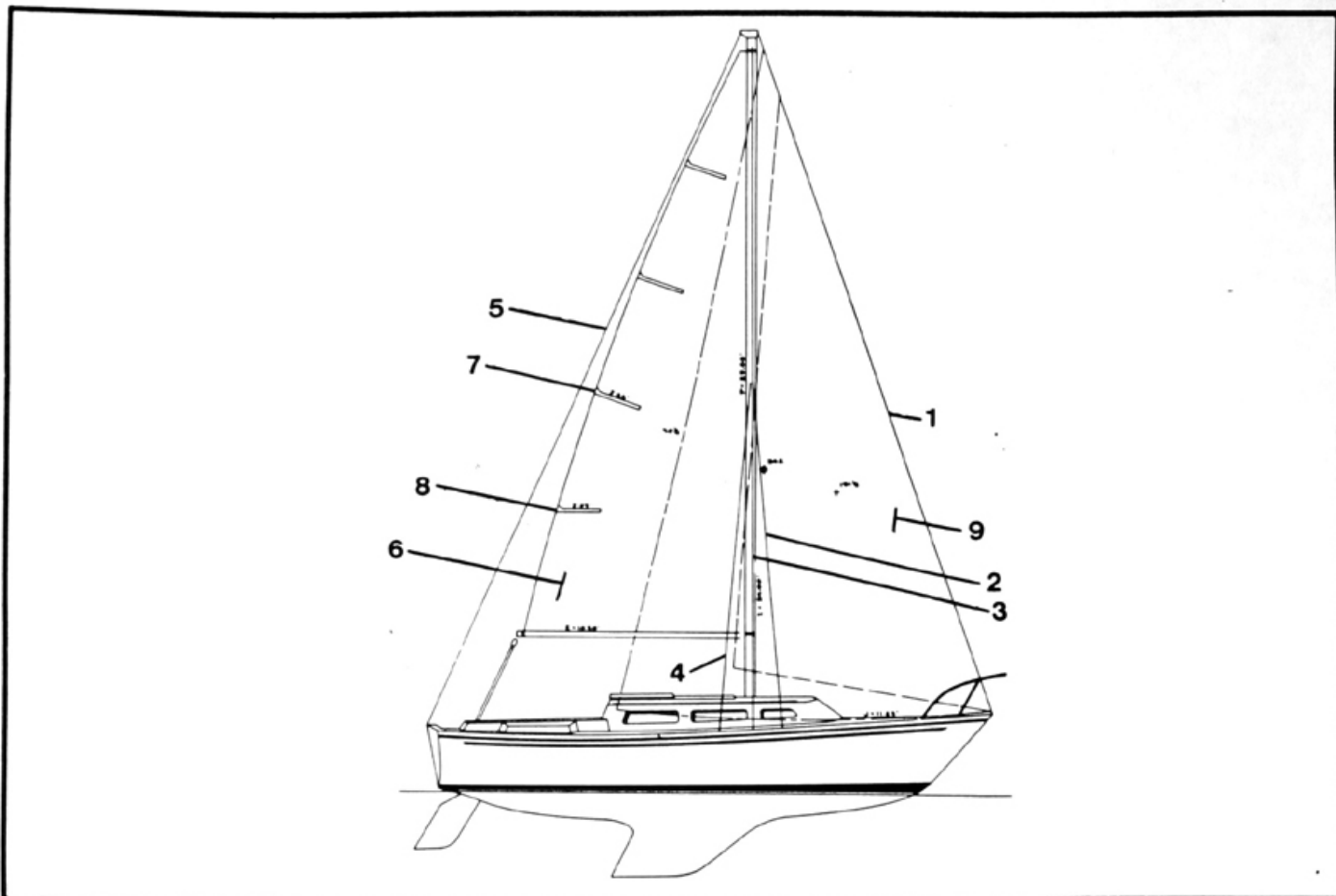
ref	Part Number	Description	std	opt
1	H 33 08 03 275	OUTHAUL, 7 x 19, 1/8" x 7'-9"		1
2	H 33 08 05 275	OUTHAUL, BRAIDED DACRON, 1/4" x 6'-6"		1
3	H 33 08 07 255	4 1/2" JAM CLEAT		1
	H 33 08 07F	FASTENER KIT: (2) #10 x 1 1/2" SLOT. OHSMS, S.S.		1
4	H 33 08 09 255	PAD EYE, S.S.		3
	H 33 08 09F	FASTENER KIT: (2) #10 x 1" PHIL. PHSMS, S.S.		3
5	H 33 08 11 745	OUTHAUL CAR, S.S.		1
6	H 33 08 13 745	OUTHAUL CHEEK BLOCK		1
	H 33 08 13F	FASTENER KIT: (2) 1/4"-20 x 5/8" SLOT. RHMS, S.S. (1) 1/4"-20 x 1 1/2" SLOT. RHMS, S.S.		1
7	H 35 08 01 530	BOOM VANG EYE STRAP, ON MAST		1
8	H 35 08 03 255	BOOM VANG STRAP, ON BOOM		1
	H 35 08 01-03F	FASTENER KIT: (4) #10 x 1" PHIL PHSMS, S.S.		2
9	H 35 08 05 725	FIDDLE BLOCK W/BECKET AND CAM CLEAT		1
10	H 35 08 07 725	FIDDLE BLOCK		1
11	H 35 08 09 725	SHACKLE		2
12	H 35 08 11 275	VANG LINE, BRAIDED DACRON, 5/16" x 35'-0"		1
13	H 30 01 45 478	HALYARD WINCH, CHROME		1
	H 30 01 45F	FASTENER KIT: (4) 1/4"-20 x 1 1/4" SLOT. RHMS, S.S.		1
	H 30 01 47 478	WINCH HANDLE		1
	H 33 08 00 100	ADJUSTABLE OUTHAUL ASSEMBLY, COMPLETE		1
	H 35 08 00 100	BOOM VANG ASSEMBLY, COMPLETE		1



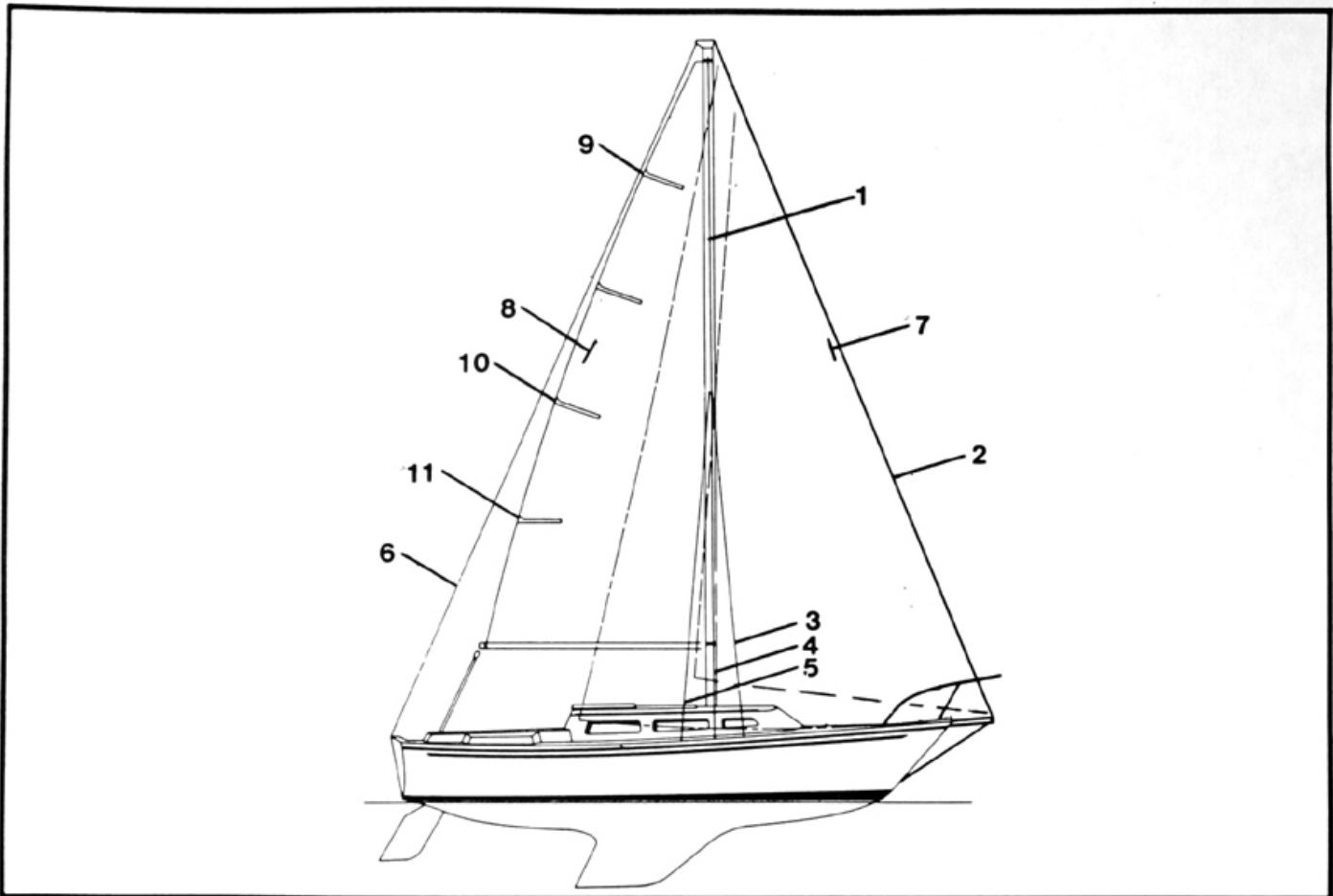
ref	Part Number	Description	std	opt
1	H 35 01 01 725	SINGLE BLOCK, FOR SPINNAKER HALYARD		1
2	H 35 01 03 715	SHACKLE, FOR SINGLE BLOCK		1
3	H 35 01 05 275	SPINNAKER HALYARD, BRAIDED DACRON, 3/8" x 75'-0"		1
4	H 35 01 07 725	SINGLE BLOCK, FOR SPINNAKER TOPPING LIFT		1
5	H 35 01 09 715	SHACKLE, FOR SINGLE BLOCK		1
6	H 35 01 11 255	PAD EYE, FOR TOPPING LIFT SINGLE BLOCK		1
7	H 35 01 11 F	FASTENER KIT: (2) #10 x 1" PHIL. PHSMS, S.S.		1
	H 35 01 13 275	TOPPING LIFT, BRAIDED DACRON, 3/8"x 30'-0"		1
	H 35 01 15 760	SPINNAKER 6" JAM CLEAT, ON MAST		2
	H 35 01 15F	FASTENER KIT: (2) 1/4"-20 x 1 3/4" SLOT. FHMS, S.S.		2
8	H 35 01 17 225	SPINNAKER POLE, STANDARD RIG, 11'-2"		1
9	H 35 01 19 530	SPINNAKER EYE, (CAR), S.S.		1
10	H 35 01 21 900	SPINNAKER T-TRACK, 4'-6"		1
	H 35 01 21F	FASTENER KIT: (13) 1/4"-20 x 1 3/4" SLOT. FHMS, S.S. (1) 1/4"-20 x 1 1/2" SLOT. RHMS, S.S.		1
11	H 35 01 23 275	FOREGUY SWIVEL BLOCK (2) 1/4" FLAT WASHER, S.S.		1
	H 35 01 23F	FASTENER KIT: (4) #10-24 x 1 1/4" SLOT. FHMS, S.S. (4) #10 FLAT WASHER, S.S. (4) #10 LOCK WASHER, S.S. (4) #10-24 HEX NUT, S.S.		1
12	H 35 01 25 725	CAM CLEAT W/FAIRLEAD, FOR FOREGUY		1
	H 35 01 25F	FASTENER KIT: (2) #10 CAP HEX NUT, S.S.		1
13	H 35 01 27 275	FOREGUY, BRAIDED DACRON, 3/8" x 35'-0"		1



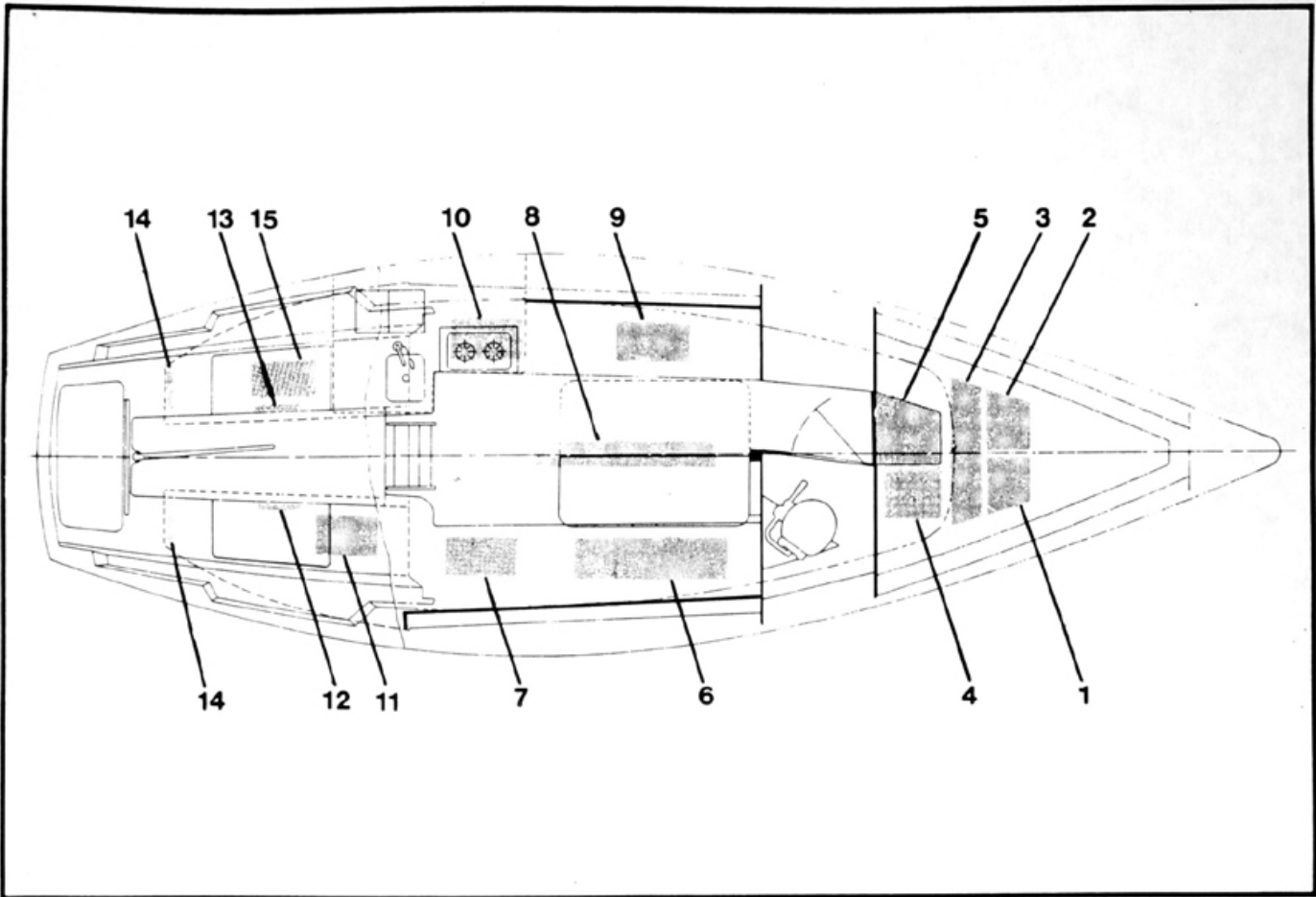
ref	Part Number	Description	std	opt
1	H 35 01 29 478	SPINNAKER SHEET WINCH		2
	H 35 01 29F	FASTENER KIT: (4) 1/4"-20 x 2" SLOT. RHMS, S.S. (4) 1/4" FLAT WASHER, S.S. (4) 1/4" LOCK WASHER, S.S. (4) 1/4"-20 HEX NUT, S.S.		2
2	H 35 01 31 478	WINCH HANDLE		1
3	H 35 01 33 760	6" SHEET JAM CLEAT		2
	H 35 01 33 F	FASTENER KIT: (2) 1/4"-20 x 2" SLOT. RHMS, S.S. (2) 1/4" FLAT WASHER, S.S. (2) 1/4" LOCK WASHER, S.S. (2) 1/4"-20 HEX NUT, S.S.		2
	H 35 01 35 530	SPINNAKER SHEET CAR		2
	H 35 01 37 725	STAND UP SPRING		2
	H 35 01 39 725	SPINNAKER SHEET SINGLE BLOCK		2
4	H 35 01 41 275	SPINNAKER SHEET, BRAIDED DACRON, 3/8" x 55' - 0"		2
	H 35 01 43 270	SWIVEL SNAP SHACKLE, BRONZE		5
5	H 35 01 45 100	SPINNAKER, 3/4 oz., SPECIFY COLOR		1
	H 35 01 47 100	SPINNAKER SAIL BAG		1
	H 35 01 00 100	SPINNAKER GEAR, COMPLETE		1



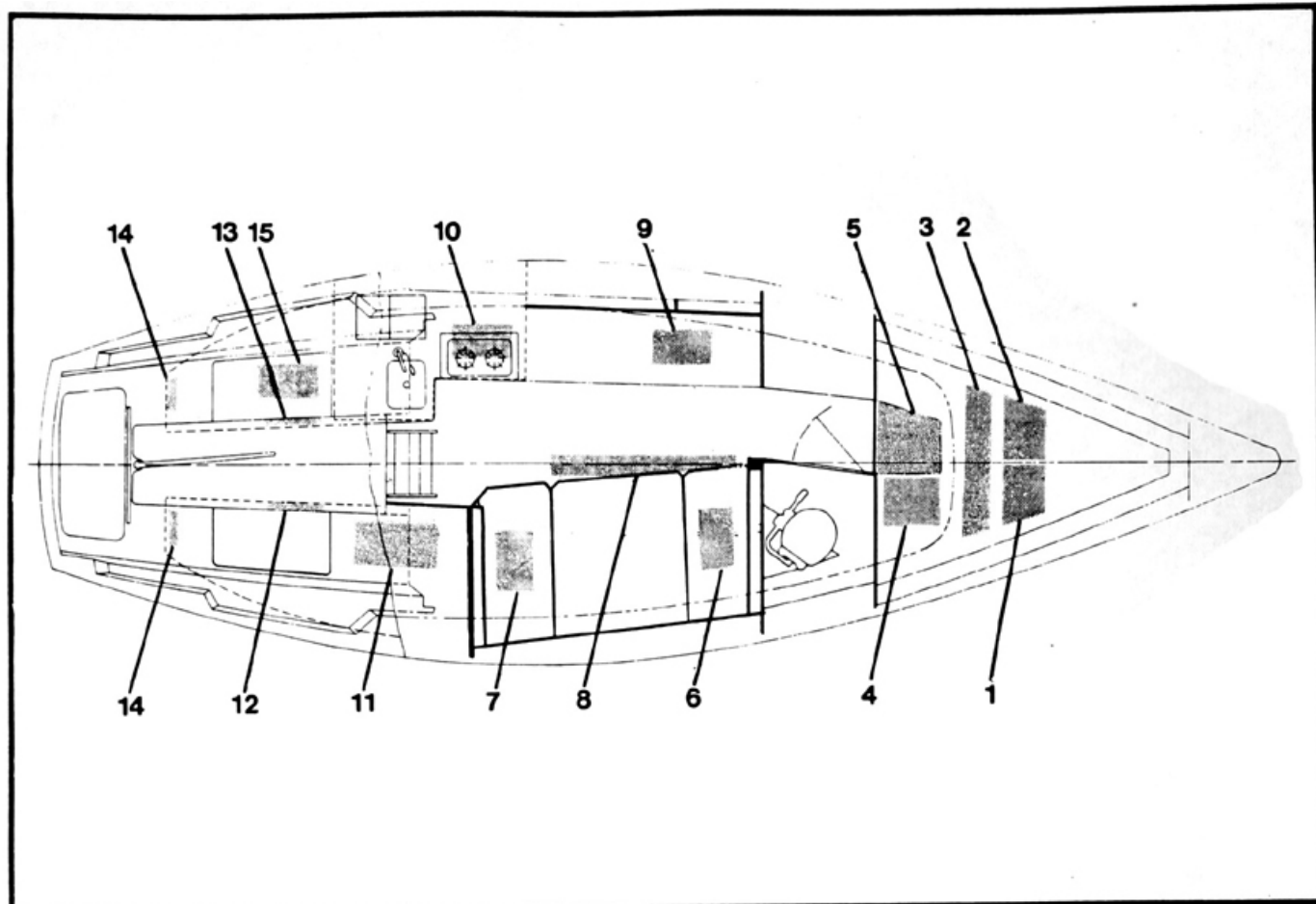
ref	Part Number	Description	std	opt
1	H 32 01 01 100	FORESTAY, 1 x 19, 3/16" x 34'-10 3/4"	1	
2	H 32 01 03 100	FORWARD LOWER SHROUD, 1 x 19, 5/32" x 16'-11 3/4"	2	
3	H 32 01 05 100	UPPER SHROUD, 1 x 19, 3/16" x 33'-8"	2	
4	H 32 01 07 100	AFT LOWER SHROUD, 1 x 19, 5/32" x 17'-4 1/4"	2	
5	H 32 01 09 100	SINGLE BACKSTAY, 1 x 19, 3/16" x 36'-10"	1	
	H 32 01 33 500	3/16" MARINE EYE		
	H 32 01 35 500	5/32" MARINE EYE		
	H 32 01 37 500	3/16" STUD		
	H 32 01 39 500	5/32" STUD		
6	H 37 01 01 100	MAINSAIL		1
	H 37 01 03 100	MAINSAIL W/REEF POINTS		1
	H 37 01 05 300	MAINSAIL SLIDE, NYLON		1
	H 37 01 07 550	SAIL NUMBER, BLACK		2
	H 37 01 09 550	CLASS INSIGNIA, RED		2
7	H 37 01 11 046	27" BATTEN		2
	H 37 01 13 046	24 1/2" BATTEN		2
8	H 37 08 11 100	MAINSAIL COVER, SPECIFY COLOR		1
	H 37 08 01 100	MAINSAIL BAG		1
9	H 37 01 17 100	JIB		1
	H 37 01 19 275	JIB SHEET, BRAIDED DACRON, 3/8" x 65'-0"		1
	H 37 01 21 100	150% GENOA		1
	H 37 01 23 100	170% GENOA		1
	H 37 01 25 275	GENOA SHEET BRAIDED DACRON. 3/8" x 75'-0"		1
	H 37 01 33 300	HANK, BRONZE		1
	H 37 08 03 100	JIB SAIL BAG		1
	H 37 08 05 100	150% GENOA SAIL BAG		1
	H 37 08 07 100	170% GENOA SAIL BAG		1
	H 37 01 51 715	HALYARD SHACKLE		1



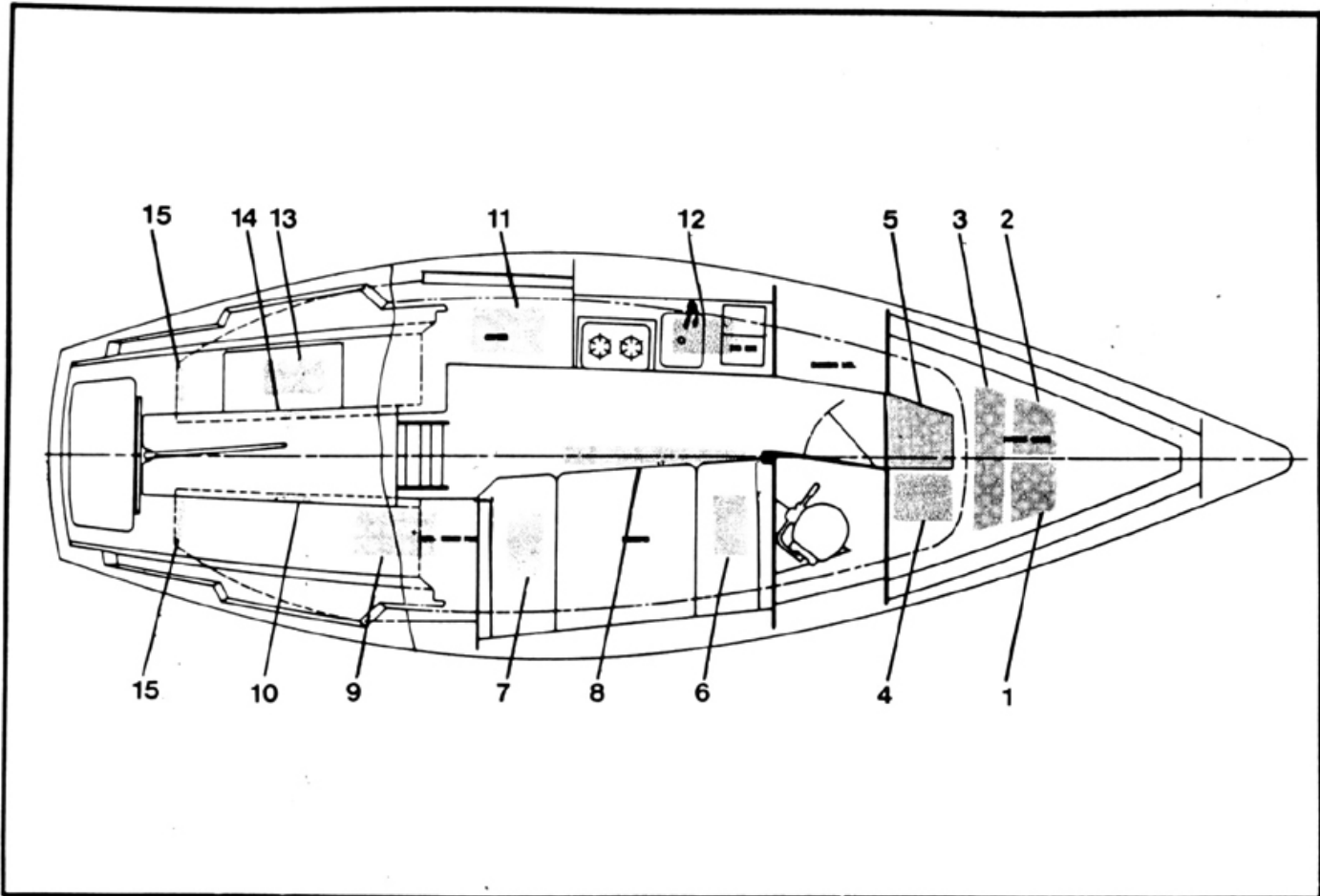
ref	Part Number	Description	std	opt
1	H 38 01 01 900	TALL RIG, ALUMINUM MAST EXTRUSION, 34'-6"		1
	H 38 01 03 680	TALL RIG, CLEAR ANODIZED ALUMINUM MAST EXTRUSION, 34"-6"		1
2	H 38 01 05 100	TALL RIG W/BOWSPRIT FORESTAY, 1 x 19, 3/16" x 36'-11 1/2"		1
3	H 38 01 07 100	TALL RIG FORWARD LOWER SHROUD, 1 x 19, 5/32" x 18'-7 1/2"		1
4	H 38 01 09 100	TALL RIG UPPER SHROUD, 1 x 19, 3/16" x 35'-2 1/2"		2
5	H 38 01 11 100	TALL RIG AFT LOWER SHROUD, 1 x 19, 5/32" x 18'-10 3/4"		2
6	H 38 01 13 100	TALL RIG SINGLE BACKSTAY, 1x 19, 3/16" x 38'-5 1/2"		1
	H 38 01 15 100	TALL RIG SHORTENED BACKSTAY, 1 x 19, 3/16" x 32'-10 1/4" FOR SPLIT BACKSTAY OPTION		1
	H 38 01 17 100	TALL RIG MAIN HALYARD, 7 x 19, 1/8" x 34'-0"		1
	H 38 01 19 100	TALL RIG JIB HALYARD, 7x 19, 1/8" x 37'-0"		1
	H 38 01 37 225	SPINNAKER POLE FOR BOW SPRIT OPTION, 12'-2"		1
7	H 38 01 23 100	TALL RIG 110% LAPPER		1
	H 38 01 25 100	TALL RIG 129% GENOA		1
	H 38 01 27 100	TALL RIG 150% GENOA		1
	H 38 01 29 100	TALL RIG 165% GENOA		1
8	H 38 01 31 100	TALL RIG MAINSAIL		1
	H 38 01 33 100	TALL RIG MAINSAIL W/REEF POINTS		1
	H 38 01 35 100	TALL RIG SPINNAKER, 3/4 oz., SPECIFY COLOR		1
9	P 38 01 38 046	TALL RIG 18" BATTEN		1
10	H 38 01 39 046	TALL RIG 25 3/4" BATTEN		2
11	H 38 01 41 046	TALL RIG 23 1/2" BATTEN		1
	H 38 01 55 100	TALL RIG MAST ASSEMBLY, COMPLETE		1
	H 38 01 57 100	ANODIZED TALL RIG MAST ASSEMBLY, COMPLETE		1



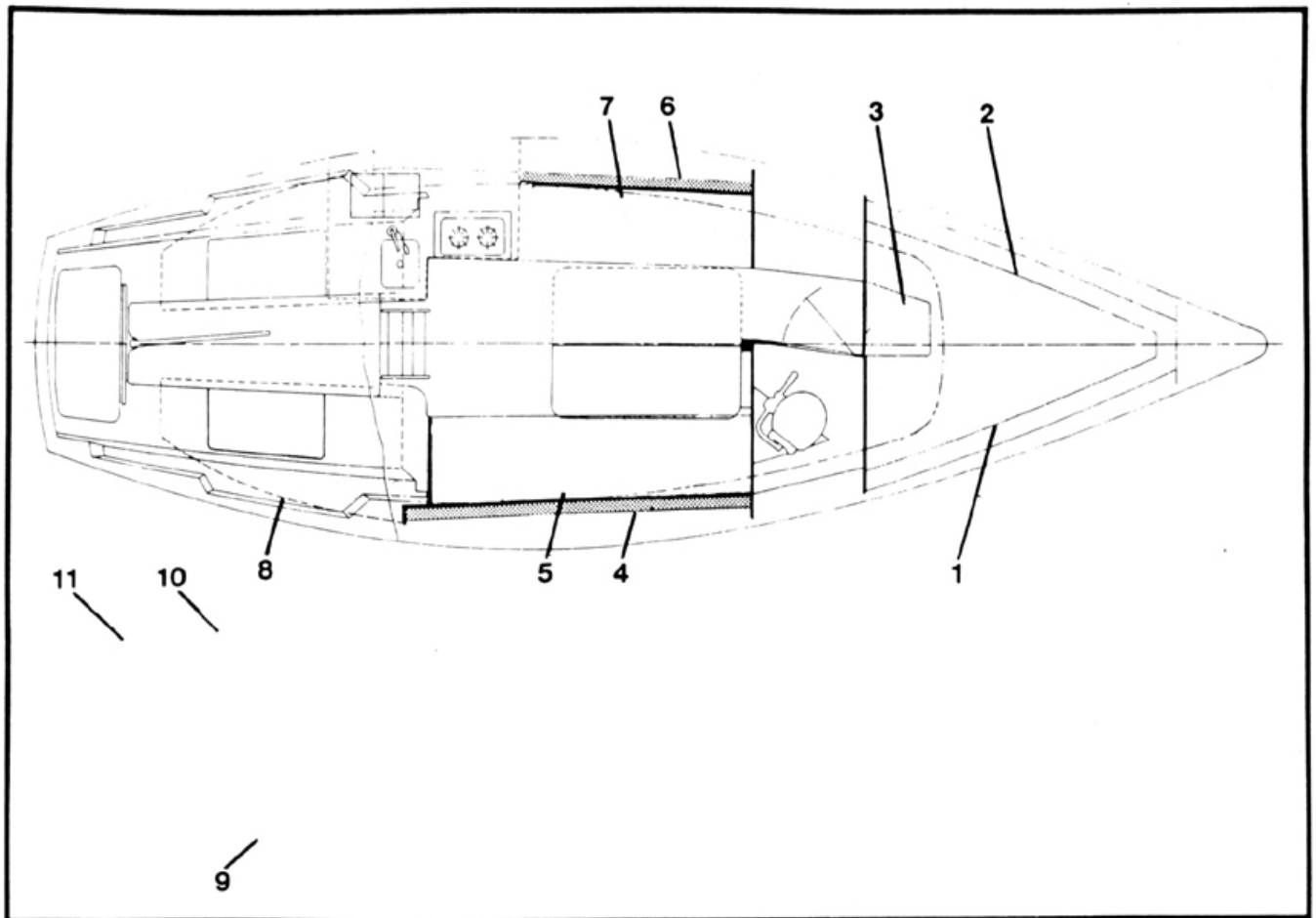
ref.	Part Number	Description	std	opt
1	H 41 01 01 285	FORWARD STARBOARD HATCH LID	1	
2	H 41 01 03 285	FORWARD PORT HATCH LID	1	
3	H 41 01 05 285	MIDDLE HATCH LID	1	
	H 41 01 05F	FASTENER KIT: (2) #10 x 1 1/4" SLOT, OHSMS, S.S. (2) #10 FINISH WASHER, S.S.	1	
4	H 41 01 07 285	AFT STARBOARD HATCH LID	1	
5	H 41 01 09 285	AFT PORT HATCH LID	1	
6	H 41 01 11 285	FORWARD STARBOARD SETTEE HATCH LID	1	
7	H 41 01 13 285	AFT STARBOARD SETTEE HATCH LID	1	
8	H 41 01 15 285	BILGE COVER	1	
	H 41 01 15F	FASTENER KIT: (4) #10 x 1 1/2" SLOT, OHSMS, S.S. (4) #10 FINISH WASHER, S.S.	1	
9	H 41 01 19 285	PORT SETTEE HATCH LID	1	
10	H 41 01 21 285	GALLEY HATCH LID	1	
11	H 41 01 23 285	QUARTERBERTH HATCH LID	1	
12	H 41 01 25 285	STARBOARD ENGINE INSPECTION PORT	1	
13	H 41 01 27 285	PORT ENGINE INSPECTION PORT		
14	H 41 01 29 285	RUDDER POST INSPECTION PORT		2
15	H 41 01 31 285	SAIL LOCKER HATCH LID	1	
	H 41 01 00 100	TRADITIONAL INTERIOR HATCH LIDS, COMPLETE SET HATCH LIDS FOR TRADITIONAL INTERIOR		1



ref.	Part Number	Description	std	opt/
1	H 41 03 01 285	FORWARD STARBOARD HATCH LID	1	
2	H 41 03 03 235	FORWARD PORT HATCH LID	1	
3	H 41 03 05 285	MIDDLE HATCH LID	1	
	H 41 03 05F	FASTENER KIT: (2) #10 x 1 1/4" SLOT. OHSMS, S.S. (2) #10 FINISH WASHER, S.S.	1	
4	H 41 03 07 285	AFT STARBOARD HATCH LID	1	
5	H 41 03 09 285	AFT PORT HATCH LID	1	
6	H 41 03 11 285	FORWARD DINETTE SEAT HATCH LID	1	
7	H 41 03 13 285	AFT DINETTE SEAT HATCH LID	1	
8	H 41 03 15 285	BILGE COVER	1	
	H 41 03 15F	FASTENER KIT: (4) #10 x 1 1/2" SLOT. OHSMS, S.S. (4) #10 FINISH WASHER, S.S.	1	
9	H 41 03 19 285	SETTEE HATCH LID	1	
10	H 41 03 21 285	GALLEY HATCH LID	1	
11	H 41 03 23 285	QUARTERBERTH HATCH LID	1	
12	H 41 03 25 285	STARBOARD ENGINE INSPECTION PORT	1	
13	H 41 03 27 285	PORT ENGINE INSPECTION PORT	1	
14	H 41 03 29 285	RUDDER POST INSPECTION PORT	2	
15	H 41 03 31 285	SAIL LOCKER HATCH LID	1	
	H 41 03 00 100	DINETTE AFT GALLEY HATCH LIDS, COMPLETE SET HATCH LIDS FOR DINETTE AFT GALLEY	1	

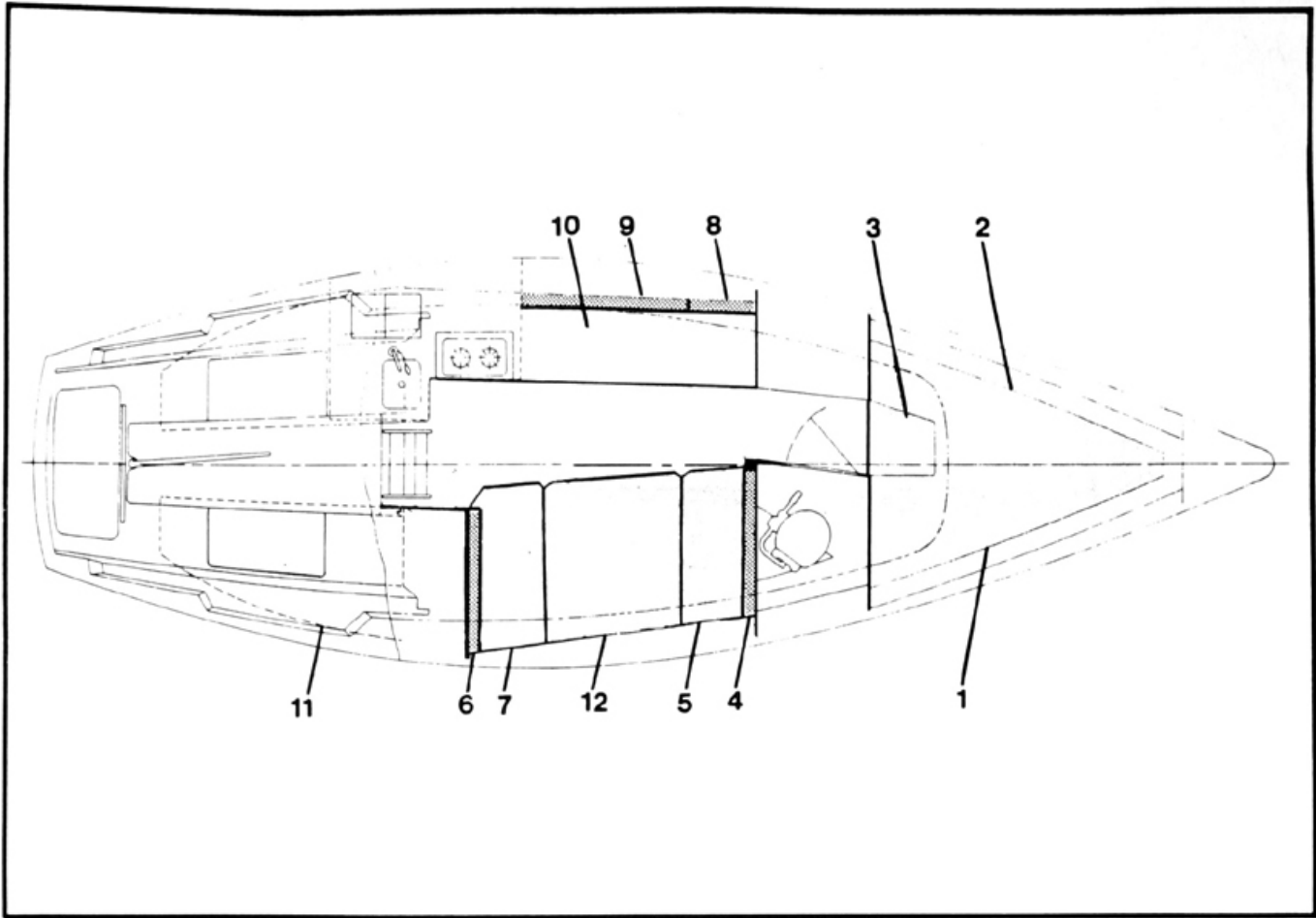


REF.	PART NUMBER	DESCRIPTION	STD.	OPT.
1	H 41 05 01 285	FORWARD STARBOARD HATCH LID	1	
2	H 41 05 03 285	FORWARD PORT HATCH LID	1	
3	H 41 05 05 285	MIDDLE HATCH LID	1	
	H 41 05 05F	FASTENER KIT: (2) #10 1 1/4" SLOT. OHSMS, S.S. (2) #10 FINISH WASHER, S.S.	1	
4	H 41 05 07 285	AFT STARBOARD HATCH LID	1	
5	H 41 05 09 285	AFT PORT HATCH LID	1	
6	H 41 05 11 285	FORWARD DINETTE SEAT HATCH LID	1	
7	H 41 05 13 285	AFT DINETTE SEAT HATCH LID	1	
8	H 41 05 15 285	BILGE COVER	1	
	H 41 05 15F	FASTENER KIT: (4) #10 1 1/2" SLOT. OHSMS, S.S. (4) #10 FINISH WASHER, S.S.	1	
9	H 41 05 19 285	STARBOARD QUARTERBERTH HATCH LID	1	
10	H 41 05 21 285	STARBOARD ENGINE INSPECTION PORT	1	
11	H 41 05 23 285	SETTEE HATCH LID	1	
12	H 41 05 25 285	SIDE GALLEY HATCH LID	1	
13	H 41 05 27 285	PORT QUARTERBERTH HATCH LID	1	
14	H 41 05 29 285	PORT ENGINE INSPECTION PORT	1	
15	H 41 05 31 285	RUDDER POST INSPECTION PORT	2	
	H 41 05 00 100	DINETTE SIDE GALLEY HATCH LIDS, COMPLETE SET HATCH LIDS FOR DINETTE SIDE GALLEY	1	



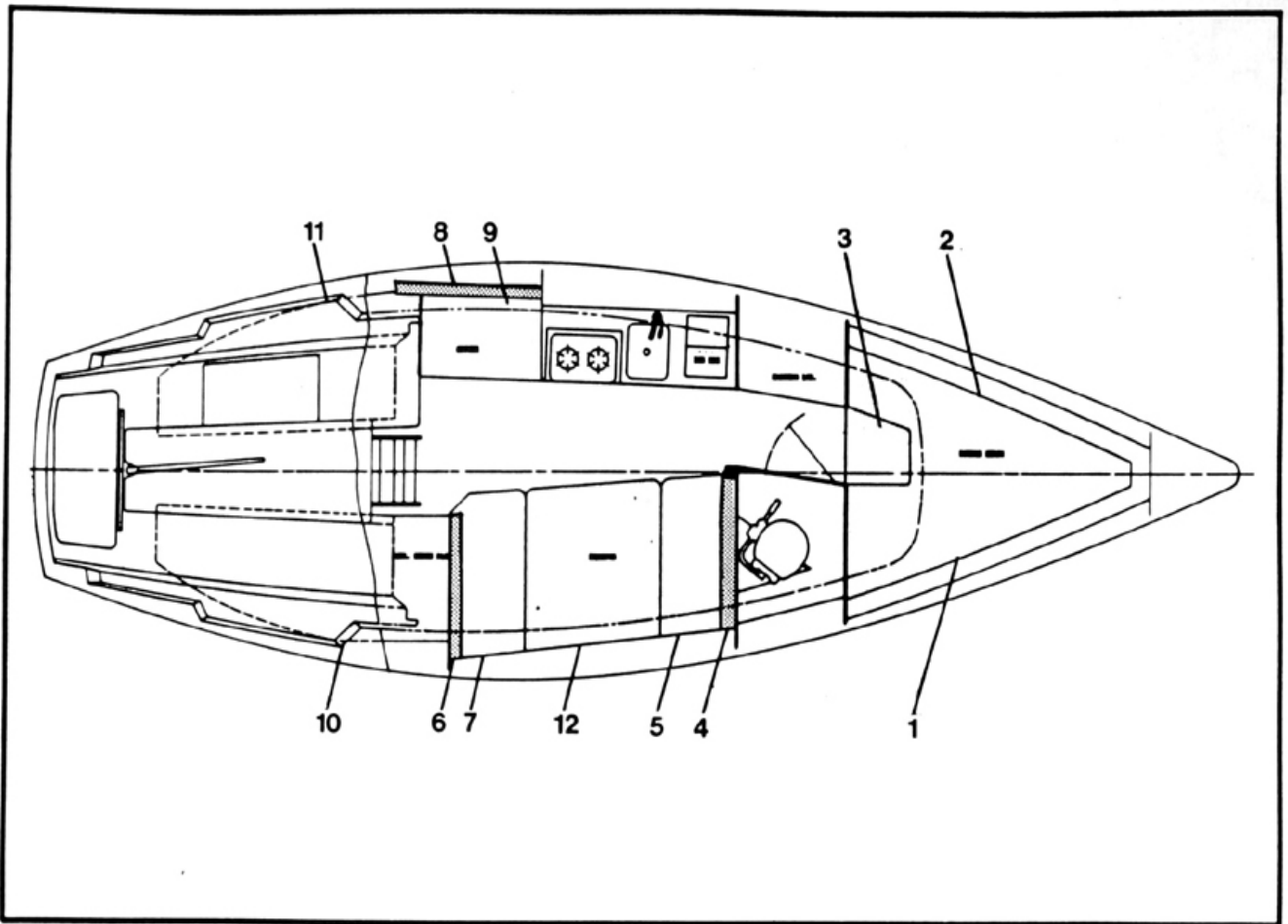
ref	Part Number	Description	std	opt
1	H 40 03 01 390	STARBOARD V-BERTH CUSHION		1
2	H 40 03 05 390	PORT V-BERTH CUSHION		1
3	H 40 03 09 390	V-BERTH FILLER		1
4	H 40 03 13 390	STARBOARD SETTEE BACK		1
5	H 40 03 15 390	STARBOARD SETTEE BOTTOM		1
6	H 40 03 19 390	PORT SETTEE BACK		1
7	H 40 03 21 390	PORT SETTEE BOTTOM, FOR STOVE OPTION		1
	H 40 03 25 390	PORT SETTEE BOTTOM, FOR OVEN OPTION		1
8	H 40 03 29 390	QUARTERBERTH CUSHION		1
9	H 40 01 01 390	STARBOARD COCKPIT CUSHION, VINYL		1
10	H 40 01 03 390	PORT COCKPIT CUSHION VINYL		
11	H 40 01 05 390	LAZARETTE CUSHION, VINYL - SPECIFY IF DELUXE AFT TRAVELER, MIDSHIP TRAVELER, OR AFT TRAVELER, WHEN ORDERING LAZARETTE CUSHION		
	H 40 03 00 100	TRADITIONAL INTERIOR CUSHIONS, COMPLETE SET		1
	H 40 15 01 677	CUSHION SNAP, S.S.		10

SPECIFY COLOR, MATERIAL, PATTERN, AND THICKNESS WHEN ORDERING CUSHIONS FROM AVAILABLE SELECTION



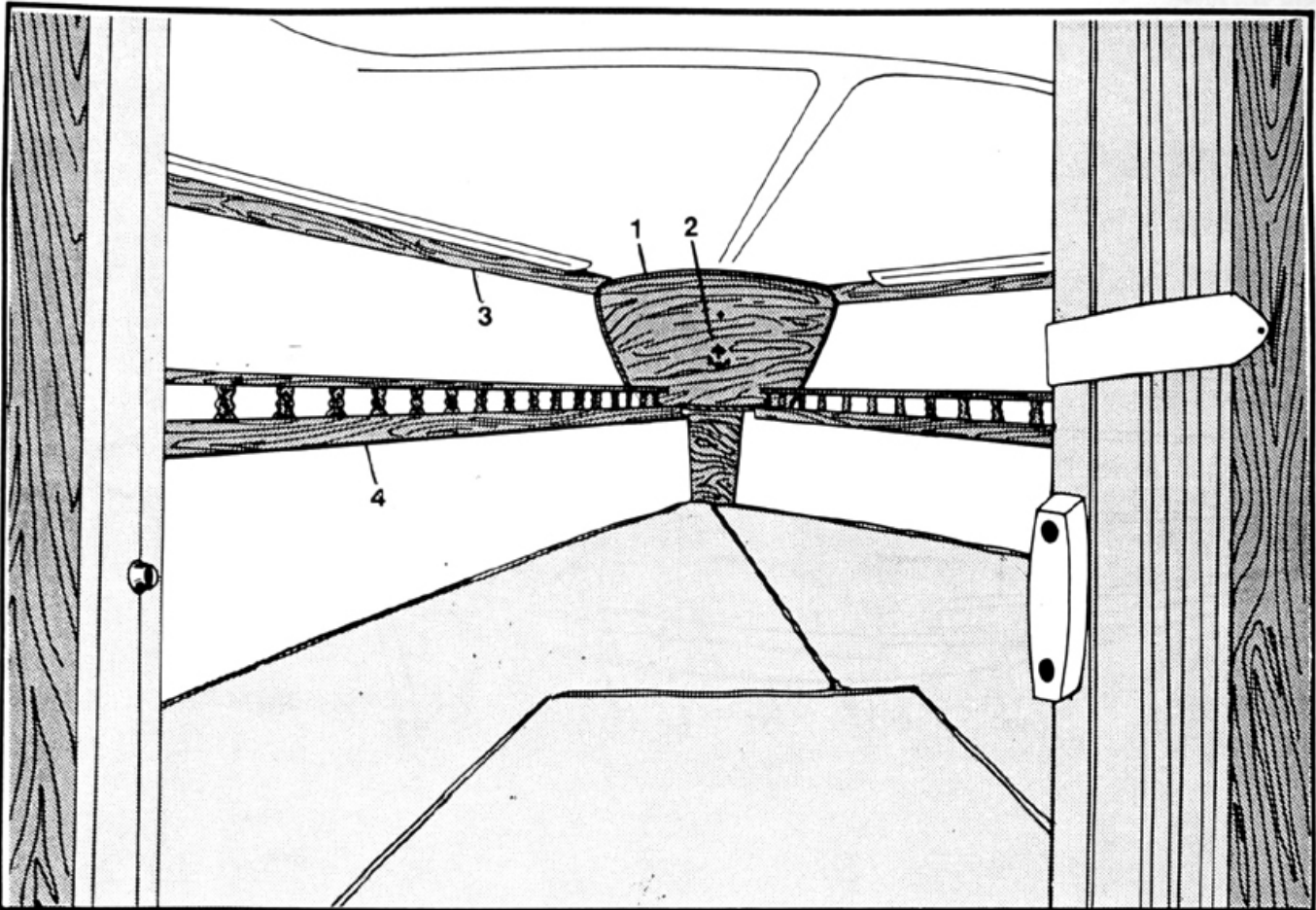
ref	Part Number	Description	std	opt
1	H 40 07 01 390	STARBOARD V BERTH CUSHION	1	
2	H 40 07 05 390	PORT V BERTH CUSHION	1	
3	H 40 07 09 390	V BERTH FILLER	1	
4	H 40 07 13 390	FORWARD DINETTE SEAT BACK	1	
5	H 40 07 17 390	FORWARD DINETTE SEAT BOTTOM	1	
6	H 40 07 21 390	AFT DINETTE SEAT BACK	1	
7	H 40 07 25 390	AFT DINETTE SEAT BOTTOM	1	
8	H 40 07 29 390	FORWARD SETTEE BACK	1	
9	H 40 07 33 390	AFT SETTEE BACK	1	
10	H 40 07 37 390	SETTEE BOTTOM, FOR STOVE OPTION	1	
	H 40 07 41 390	SETTEE BOTTOM, FOR OVEN OPTION	1	
11	H 40 07 45 390	QUARTERBERTH CUSHION	1	
12	H 40 07 17 390	DINETTE FILLER	1	
	H 40 07 00 100	DINETTE AFT GALLEY CUSHIONS, COMPLETE SET	1	

SPECIFY COLOR, MATERIAL, PATTERN, AND THICKNESS WHEN ORDERING CUSHIONS FROM AVAILABLE SELECTION

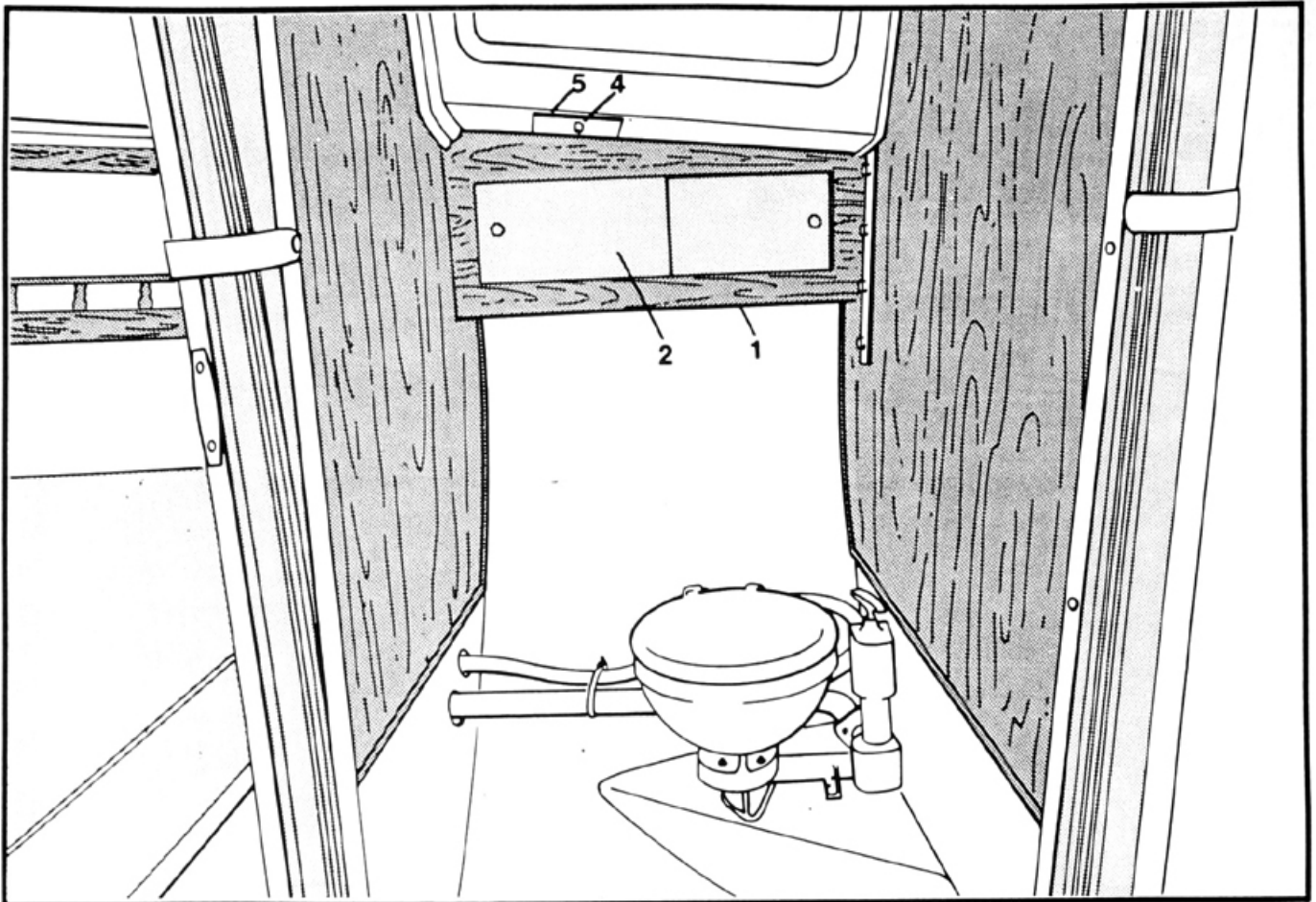


ref	Part Number	Description	std	opt
1	H 40 11 01 390	STARBOARD V BERTH CUSHION	1	
2	H 40 11 05 390	PORT V BERTH CUSHION	1	
3	H 40 11 09 390	V BERTH FILLER	1	
4	H 40 11 13 390	FORWARD DINETTE SEAT BACK	1	
5	H 40 11 17 390	FORWARD DINETTE SEAT BOTTOM	1	
6	H 40 11 21 390	AFT DINETTE SEAT BACK	1	
7	H 40 11 25 390	AFT DINETTE SEAT BOTTOM	1	
8	H 40 11 29 290	SETTEE BACK	1	
9	H 40 11 33 390	SETTEE BOTTOM	1	
10	H 40 11 37 390	STARBOARD QUARTERBERTH	1	
11	H 40 11 41 390	PORT QUARTERBERTH	1	
12	H 40 11 43 390	DINETTE FILLER	1	
	H 40 11 00 100	DINETTE SIDE GALLEY CUSHIONS, COMPLETE SET	1	

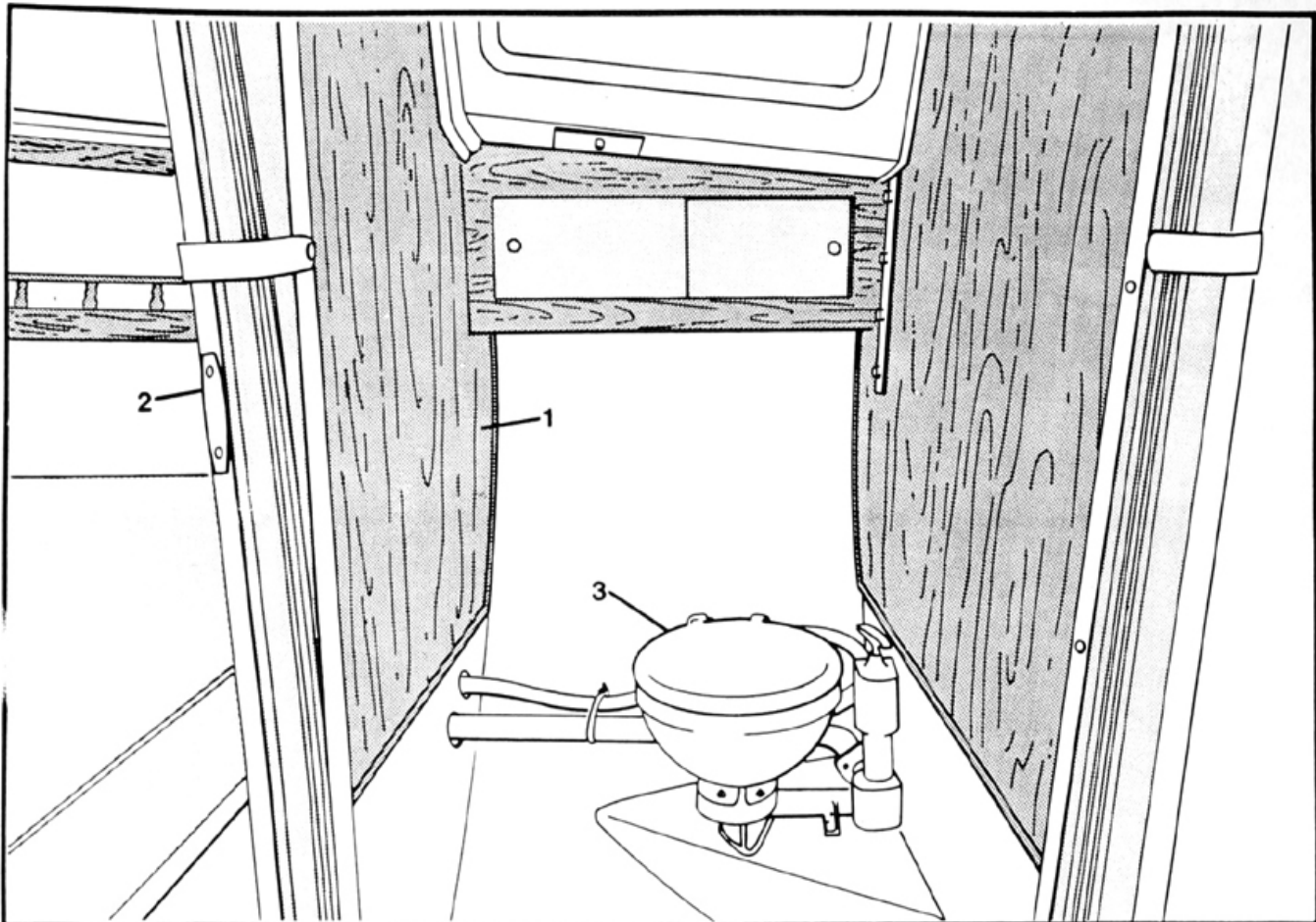
SPECIFY COLOR, MATERIAL, PATTERN AND THICKNESS WHEN ORDERING CUSHIONS FROM AVAILABLE SELECTION



ref.	Part Number	Description	std.	opt.
1	H 43 01 43 285	CHAIN LOCKER BULKHEAD		1
	H 43 01 43 F	FASTENER KIT (3) #10 x 1 1/4" SLOT. OHSMS, S.S. (3) #10 FINISH WASHER, S.S.		1
2	H 43 01 49 285	CHAIN LOCKER HATCH		1
3	H 46 01 01 285	HULL - DECK INTERFACE TRIM, TEAK		2
	H 46 01 01 F	FASTENER KIT: (5) #10 x 1" SLOT. OHSMS, S.S. (5) #10 FINISH WASHER, S.S.		2
4	H 46 03 01 285	FORWARD CABIN PINRAIL, 77" TEAK		2
	H 46 03 01 F	FASTENER KIT: (5) #10 x 1 1/4" SLOT. OHSMS, S.S. (5) #10 FINISH WASHER, S.S.		2



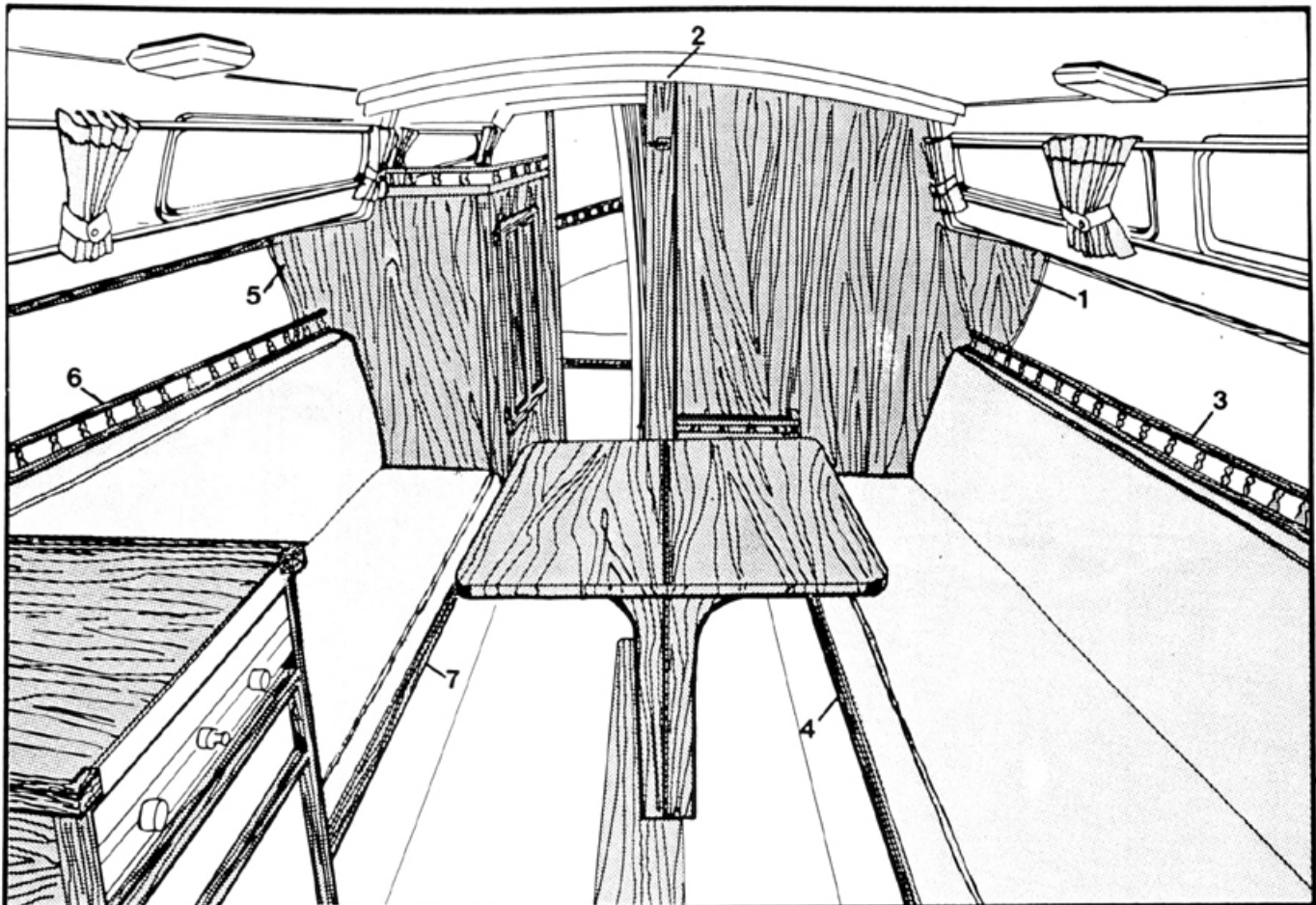
ref.	Part Number	Description	std.	opt
1	H 44 01 01 285 H 44 01 01F	HEAD STORAGE SHELF FASTENER KIT: (6) #10 x 2" SLOT. OHSMS, S.S. (6) #10 FINISH WASHER, S.S.	1	1
2	H 44 01 05 285 H 44 01 18 285 H 44 01 18F H 44 01 19 400 H 44 01 19F	SLIDING GLASS HEAD COMPARTMENT DOOR W/PIANO HINGE FASTENER KIT: (15) #6 x 5/8" SLOT. FHSMS, S.S. HEAD COMPARTMENT CLASP AND HOOK FASTENER KIT: (1) #6 x 5/8" SLOT. FHSMS, S.S.	2	1 1 1 2 2
3	H 44 01 41 285 H 44 01 23 285 H 44 01 23 F	HEAD COMPARTMENT BULKHEAD W/MOLDING TRIM FASTENER KIT: (6) #10 x 1 1/2" SLOT. OHSMS, S.S. HEAD COMPARTMENT DOOR FRAME FASTENER KIT: (6) #10 x 1 1/4" SLOT. OHSMS, S.S.	1	1 1 1
	H 44 01 09 285 H 44 01 09F H 44 01 13 734 H 44 01 13F H 44 01 14 734	WASH BASIN COUNTER FASTENER KIT: (5) #10 x 1 1/2" SLOT. OHSMS, S.S. WASH BASIN, S.S. (5) #10 FINISH WASHER, S.S. FASTENER KIT: (4) JIFFY CLAMP WASH BASIN STOPPER	1	1 1 1 1
4	H 22 09 05 615	END CAP, WHITE PLASTIC, FOR THRU BOLTS	12	
5	H 22 10 03 900	BACK-UP PLATE, FOR LOWER SHROUDS, S.S.	4	



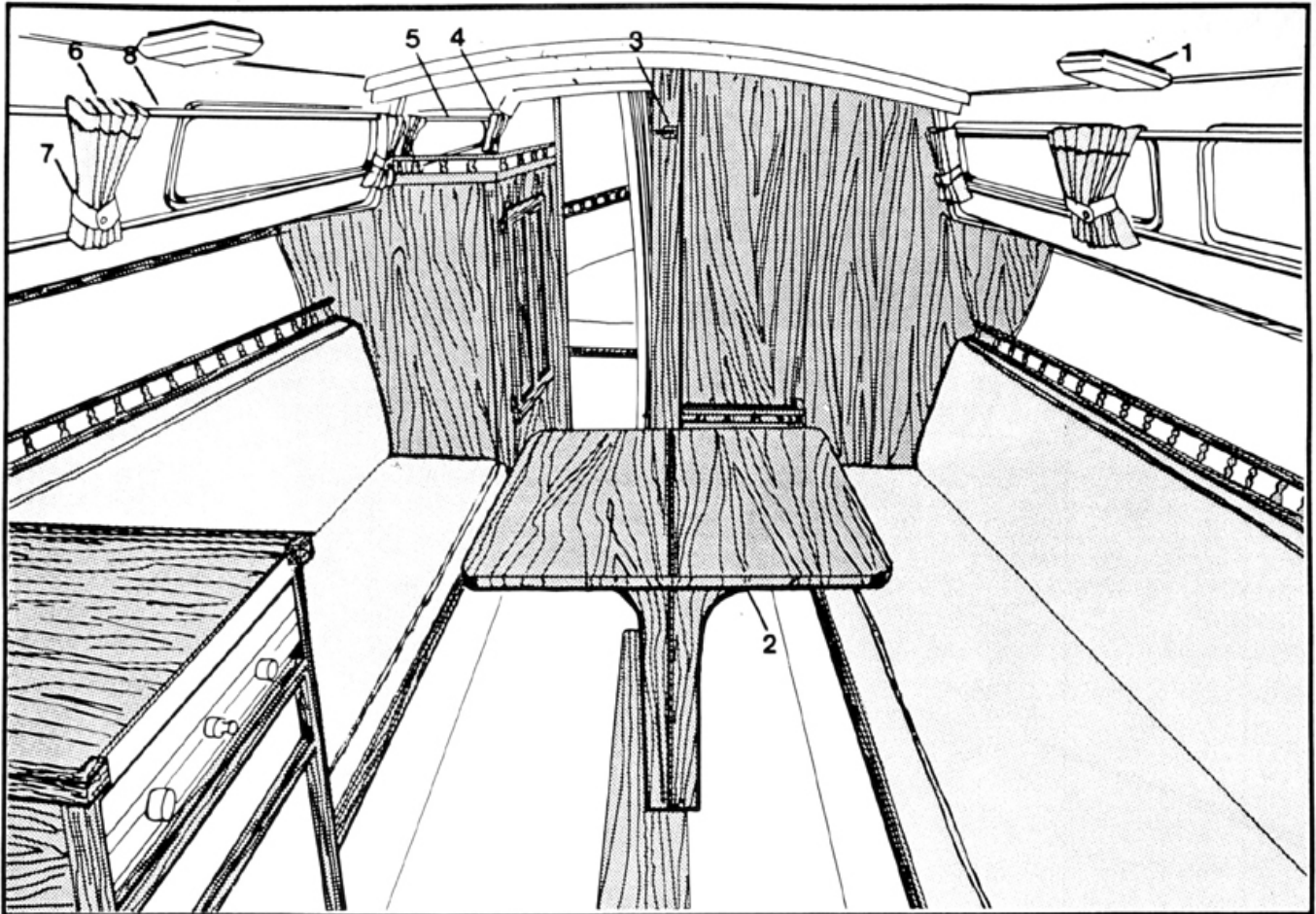
ref	Part Number	Description	std	ont
1	H 43 01 25 285	STARBOARD FORWARD BULKHEAD	1	
	H 43 01 25F	FASTENER KIT: (18) #10 x 1 1/4" SLOT. OHSMS, S.S. (18) #10 FINISH WASHER, S.S.	1	1
2	H 42 05 01 170	FORWARD CABIN SLIDING DOOR, VINYL		1
	H 42 05 03 170	DOOR TRACK, BROWN ANODIZED ALUMINUM		1
	H 42 05 03F	FASTENER KIT: (3) #6 x 1" SLOT. OHSMS, S.S.		1
	H 42 05 05 285	DOOR TRACK BACKING, TEAK		1
	H 42 05 05F	FASTENER KIT: (2) #10 x 2" SLOT. OHSMS, S.S. (2) #10 FINISH WASHER, S.S.		1
	H 42 05 09 677	MALE BUTTON, ON BULKHEAD		1
3	H 65 01 01 350	MARINE HEAD		1
	H 65 01 01F	FASTENER KIT: (4) 1/4" x 1" LAG BOLT, S.S.		1
	H 68 01 01 785	PORTABLE HEAD, NOT SHOWN		1
	H 44 01 15 285	SELF CONTAINED, PORTABLE HEAD SHELF		1
	H 44 01 15F	FASTENER KIT: (5) #10 x 1 1/4" SLOT, OHSMS, S.S.		1
	H 44 01 17 285	TEAK CLEAT, FOR PORTABLE HEAD		1
	H 44 01 17F	FASTENER KIT: (2) #10 x 1 1/4" SLOT, OHSMS, S.S.		1
	H 46 01 03 285	HULL-DECK INTERFACE, 29"		1
	H 46 01 03F	FASTENER KIT: (2) #10 x 1" SLOT, OHSMS, S.S. (2) #10 FINISH WASHER, S.S.		1



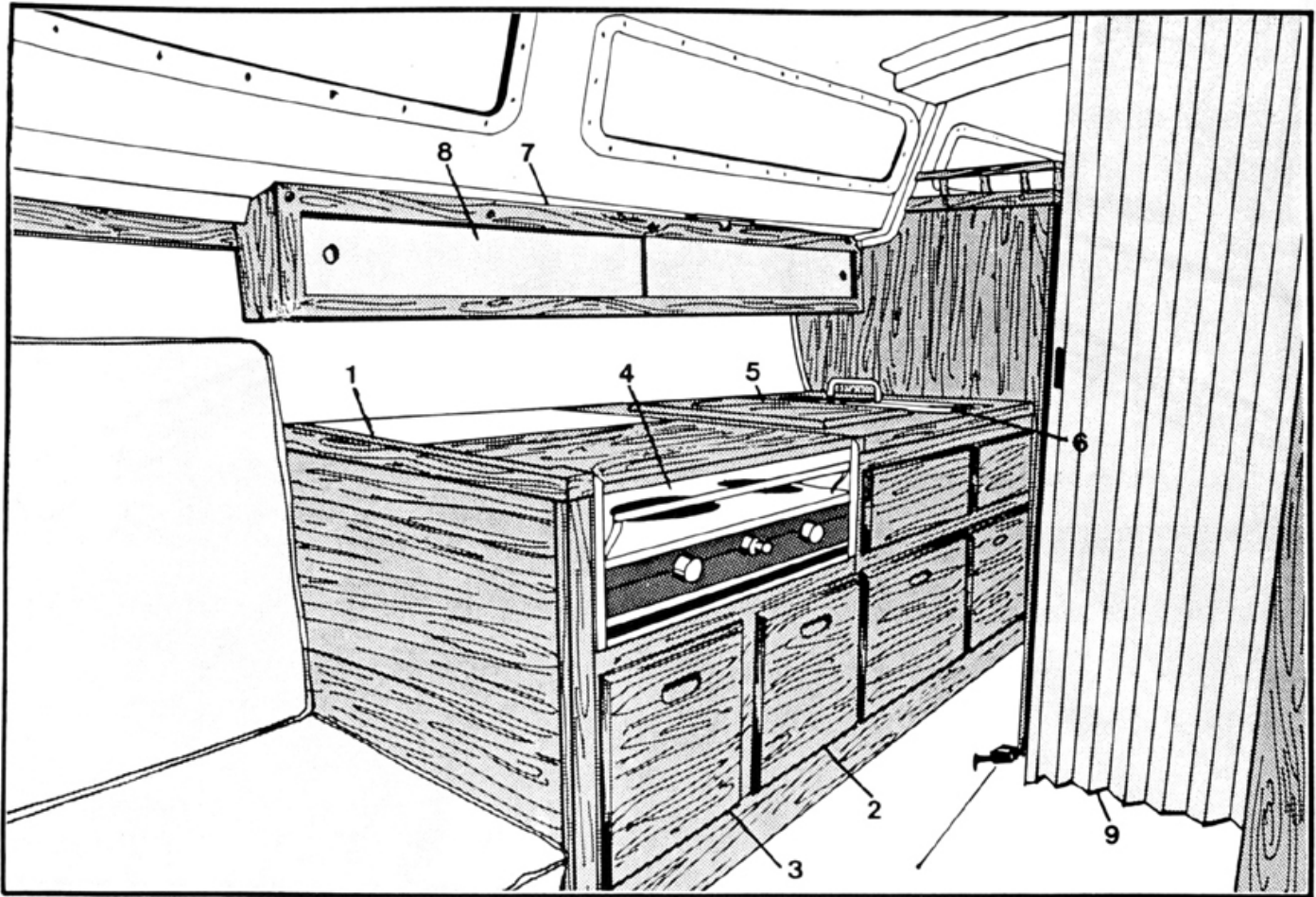
ref	Part Number	Description	std	opt
1	H 43 03 01 285	HANGING LOCKER FACE	1	
	H 43 03 01 F	FASTENER KIT: (4) #10 x 1" SLOT. OHSMS, S.S.	1	
		(4) #10 FINISH WASHER, S.S.		
2	H 43 03 07 285	HANGING LOCKER TOP	1	
	H 43 03 17 285	HANGING LOCKER PINRAIL	1	
	H 43 03 17F	FASTENER KIT: (5) #10 x 2" SLOT OHSMS, S.S.	1	
		(5) #10 FINISH WASHER, S.S.		
	H 43 03 11 285	HANGING LOCKER SUPPORT CLEAT	1	
	H 43 03 11F	FASTENER KIT: (2) #10 x 1" SLOT. OHSMS, S.S.	1	
		(2) #10 FINISH WASHER, S.S.		
	H 43 03 21 285	HANGING LOCKER DOORS (PAIR)	1	
	H 43 03 21F	FASTENER KIT: (8) #6 x 5/8" SLOT. FHSMS, S.S.	1	
	H 43 03 22 145	CLIP, FOR HANGING LOCKER DOORS	2	
	H 43 03 22F	FASTENER KIT: (1) #6 x 5/8" SLOT. FHSMS, S.S.	2	
3	H 43 03 13 285	HANGING LOCKER DOWEL	1	
4	H 43 03 15 285	HANGING LOCKER DOWEL SOCKET, WHITE PLASTIC	1	
	H 43 03 15F	FASTENER KIT: (2) #10 x 1/2" SLOT. OHSMS, S.S.	1	
	H 43 03 00 100	HANGING LOCKER ASSEMBLY, COMPLETE	1	
	H 46 01 03 285	HULL DECK INTERFACE, 29"	1	
	H 46 01 03F	FASTENER KIT: (2) #10 x 1" SLOT. OHSMS, S.S.	1	
		(2) #10 FINISH WASHER, S.S.		
5	H 43 01 33 285	PORT FORWARD BULKHEAD	1	
	H 43 01 33 F	FASTENER KIT: (9) #10 x 1 1/4" SLOT. OHSMS, S.S.	1	
		(9) #10 FINISH WASHER, S.S.		
6	H 43 01 39 285	PORT FORWARD BULKHEAD TRIM	1	
	H 43 01 39F	FASTENER KIT: (5) #10 x 2" SLOT. OHSMS, S.S.	1	
		(5) #10 FINISH WASHER, S.S.		
7	H 43 01 75 100	BATTING, BROWN VINYL SHEATH, SPECIFY LENGTH	1	



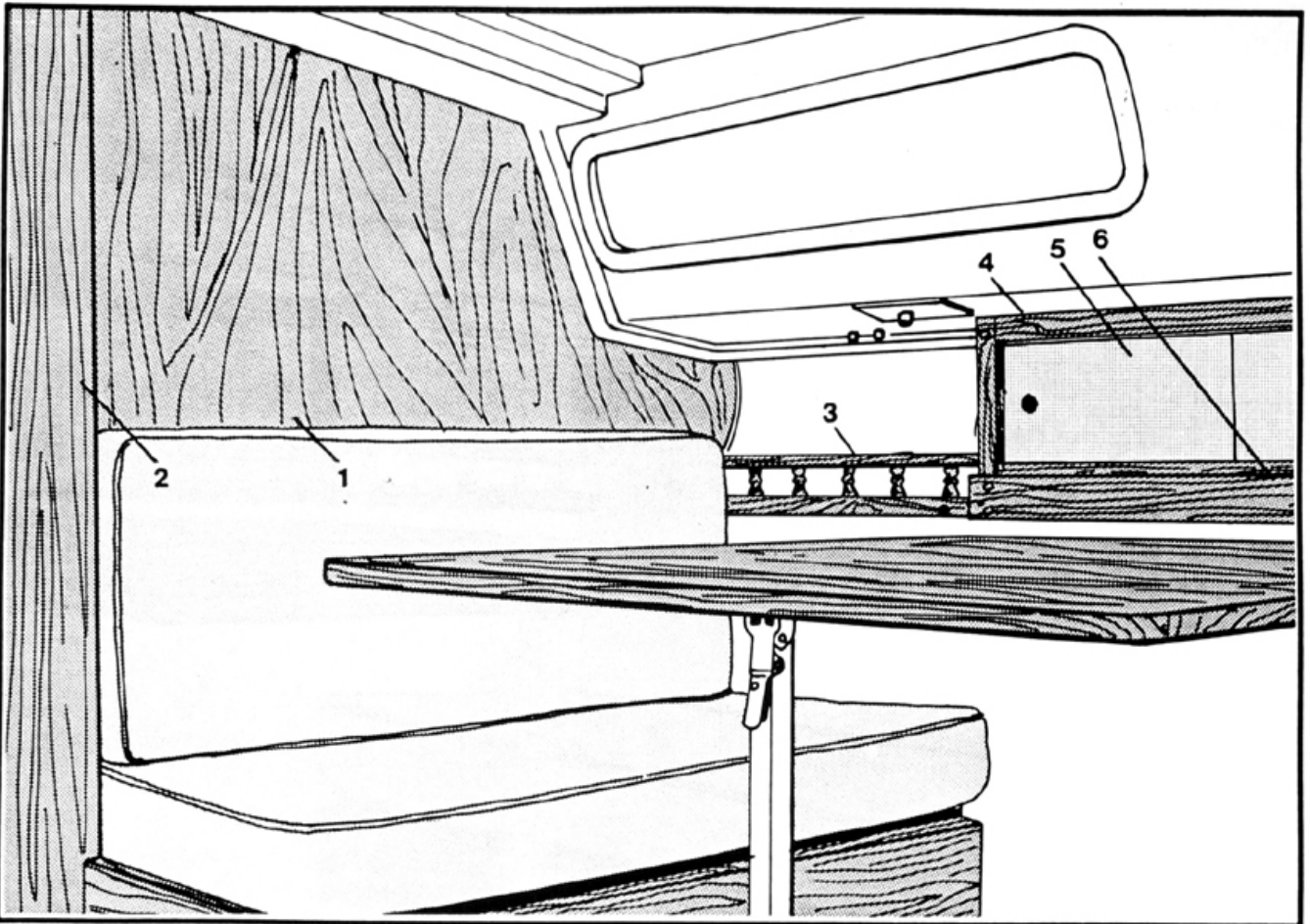
ref	Part Number	Description	std	opt
1	H 43 01 01 285 H 43 01 01F	STARBOARD MAIN CABIN BULKHEAD, FOR TRADITIONAL INTERIOR ONLY FASTENER KIT: (14) #10 x 1 1/4" SLOT. OHSMS S.S. (14) #10 FINISH WASHER, S.S. (2) 1/4"-20 x 2" SLOT. FHMS, S.S. (2) 1/4" FLAT, LOCK, HEX NUT, S.S. (2) #14 FINISH WASHER, S.S.	1	1
	H 43 01 02 285 H 43 01 02F	STARBOARD MAIN CABIN BULKHEAD TRIM FASTENER KIT: (6) #10 x 2" SLOT. OHSMS, S.S. (6) #10 FINISH WASHER, S.S.	1	1
2	H 43 01 53 285	COMPRESSION POST, FOR TRADITIONAL INTERIOR ONLY	1	
3	H 46 03 05 285 H 46 03 05F	STARBOARD MAIN CABIN PINRAIL, 91 1/2" FASTENER KIT: (5) #10 x 1 1/4" SLOT. OHSMS, S.S. (5) #10 FINISH WASHER, S.S.	1	1
4	H 46 01 13 285 H 46 01 13F	STARBOARD SETTEE TRIM, 75 3/4" FASTENER KIT: (5) #10 x 1 1/4" SLOT OHSMS, S.S. (5) #10 FINISH WASHER, S.S.	1	1
5	H 43 01 15 285 H 43 01 15F	PORT MAIN CABIN BULKHEAD, TEAK FASTENER KIT: (7) #10 x 1 1/4" SLOT. OHSMS, S.S. (7) #10 FINISH WASHER, S.S.	1	1
	H 43 01 19 285 H 43 01 19F	PORT MAIN CABIN BULKHEAD TRIM, 50 1/2" FASTENER KIT: (4) #10 x 2" SLOT OHSMS, S.S. (4) #10 FINISH WASHER	1	1
6	H 46 03 07 285 H 46 03 07 F	PORT MAIN CABIN PINRAIL, 35" FASTENER KIT: (3) #10 x 1 1/4" SLOT. OHSMS, S.S. (3) #10 FINISH WASHER	1	1
7	H 46 01 15 285 H 46 01 15F	PORT SETTEE TRIM, 82 3/4" FASTENER KIT: (7) #10 x 1 1/4" SLOT. OHSMS, S.S. (7) #10 FINISH WASHER, S.S.	1	1



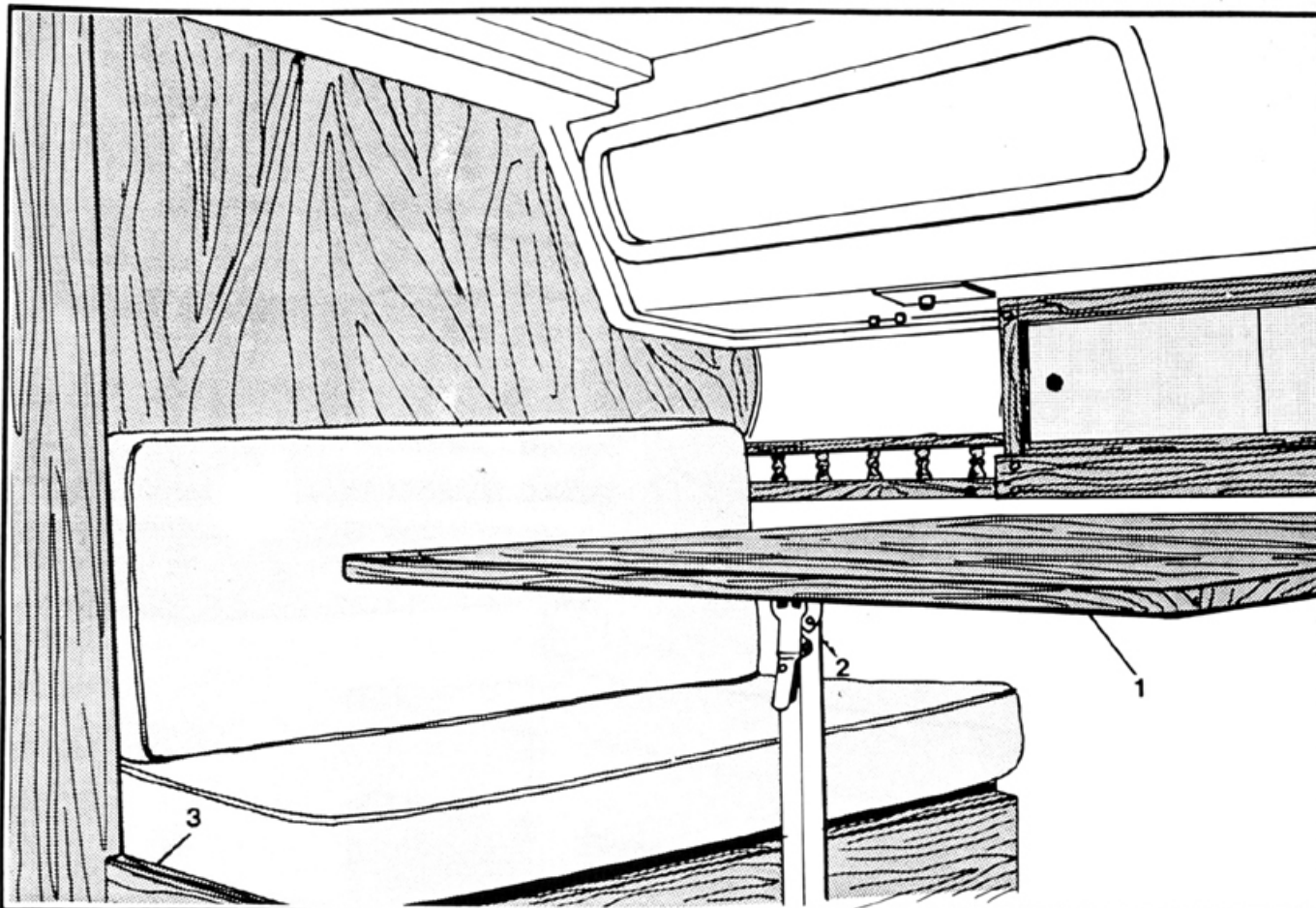
ref	Part Number	Description	std	opt
1	H 78 01 01 820	CABIN LIGHT		5
	H 78 01 01F	FASTENER KIT: (4) #10 x 1" PHIL. PHSMS, S.S.		5
2	H 44 03 01 285	FOLDING TABLE W/SHELF AND LEG		1
	H 44 03 01F	FASTENER KIT: (5) #10 x 1 1/2" SLOT, OHSMS, S.S.		1
		(5) #10 FINISH WASHER, S.S.		
3	H 44 03 09 722	BARREL BOLT, ON BULKHEAD, FOR TABLE		1
	H 44 03 09F	FASTENER KIT: (4) #4 x 3/4" PHIL. OHSMS, S.S.		1
	H 42 09 01 005	CARPETING, SPECIFY COLOR, DINETTE OR TRADITIONAL INTERIOR		1
4	H 42 02 01 390	CURTAIN W/SLIDES FOR FORWARD WINDOWS		4
	H 42 02 03 390	SNAP RETAINER		4
5	H 42 02 05 390	CURTAIN TRACK W/END STOPS, FOR FORWARD WINDOWS		4
	H 42 02 07 145	CLIP		8
6	H 42 01 01 390	CURTAIN W/SLIDES, FOR MAIN CABIN		8
7	H 42 01 03 390	SNAP RETAINER		8
8	H 42 01 05 390	CURTAIN TRACK W/END STOP, FOR MAIN CABIN		4
	H 42 01 07 145	CURTAIN CLIP, S.S.		16
	H 42 01 00 100	CURTAINS W/HARDWARE, COMPLETE SET		1



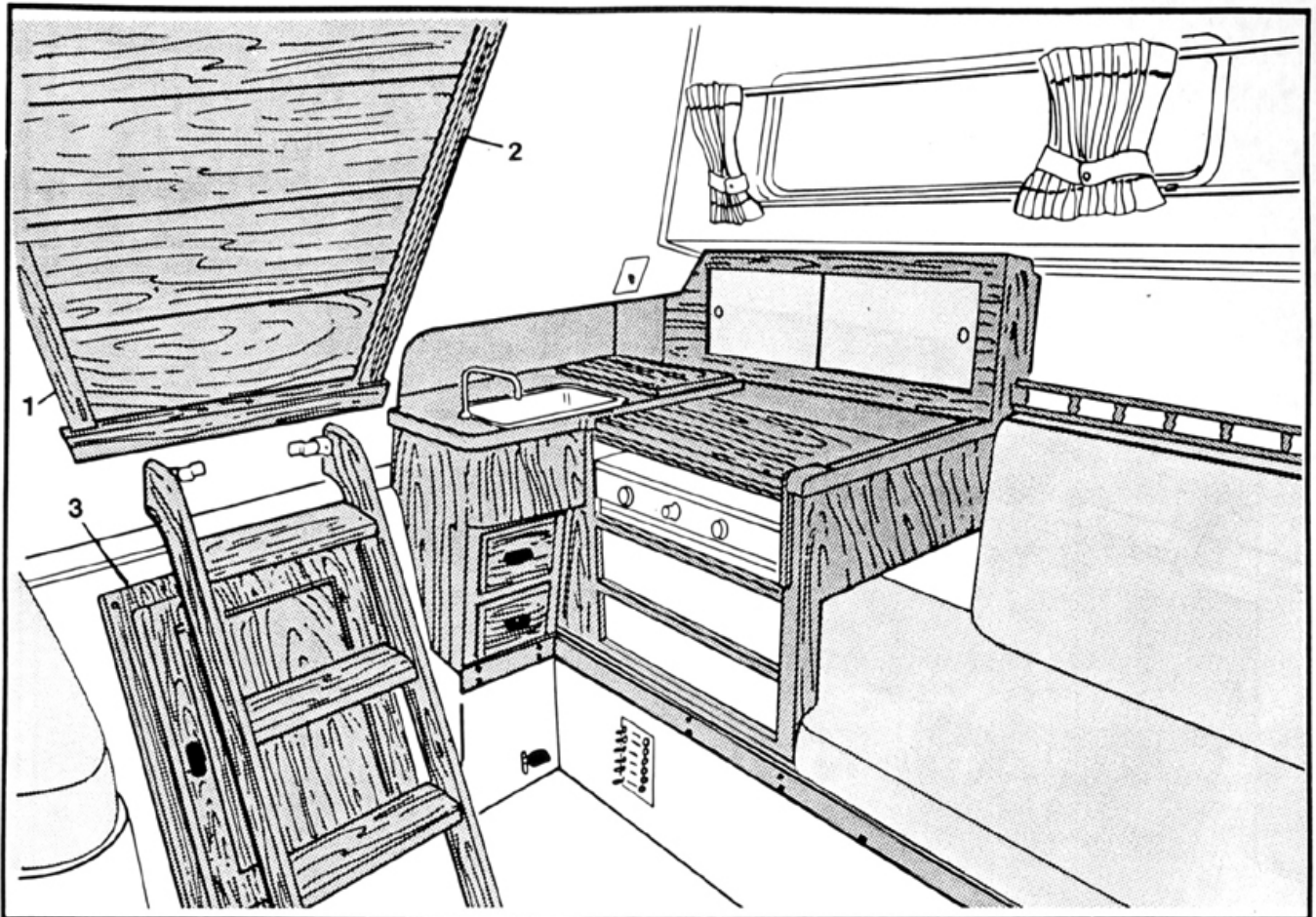
ref.	Part Number	Description	std	opt
1	H 45 01 01 285	SIDE GALLEY UNIT, TEAK		1
	H 45 01 01F	FASTENER KIT: (5) #10 x 2" SLOT. OHSMS, S.S.		1
		(4) #10 x 1 1/2" SLOT. OHSMS, S.S.		
		(9) #10 FINISH WASHER, S.S.		
2	H 45 01 07 285	FORWARD SIDE GALLEY DRAWER		1
3	H 45 01 09 285	AFT SIDE GALLEY DRAWER		1
4	H 44 08 01 580	2 BURNER GIMBALLED STOVE W/CUTTING BOARD		1
	H 44 08 01F	FASTENER KIT: (2) #6 x 1" SLOT. OHSMS, S.S.		1
5	H 45 01 15 285	ICE BOX LID		1
	H 45 01 17 100	ICE BOX PAN, FIBERGLASS		1
	H 45 01 17F	FASTENER KIT: (22) #10 x 1" SLOT. OHSMS .S.S.		1
6	H 45 01 19 734	SINK, S.S.		1
	H 45 01 19F	FASTENER KIT: (4) JIFFY CLAMP		1
	H 45 01 21 734	SINK STOPPER		1
7	H 46 05 03 285	SIDE GALLEY STORAGE SHELF		1
	H 46 05 03F	FASTENER KIT: (5) #10 x 2" SLOT. OHSMS, S.S.		1
		(8) #10 FINISH WASHER, S.S.		
		(3) #10 x 1 1/4" SLOT. OHSMS, S.S.		
		(3) #6 x 1" SLOT. OHSMS, S.S.		
8	H 45 05 05 285	SLIDING GLASS		2
9	H 42 03 01 170	MAIN CABIN SLIDING DOOR VINYL		1
	H 42 03 03 170	DOOR TRACK, BROWN ANODIZED ALUMINUM		1
	H 42 03 03F	FASTENER KIT: (3) #6 x 1" SLOT. OHSMS, S.S.		1
	H 42 03 05 285	DOOR TRACK BACKING, TEAK		1
	H 42 03 05F	FASTENER KIT: (2) #10 x 2" SLOT. OHSMS, S.S.		1
		(2) #10 FINISH WASHER, S.S.		
	H 42 03 07 677	MALE BUTTON, ON BULKHEAD		1



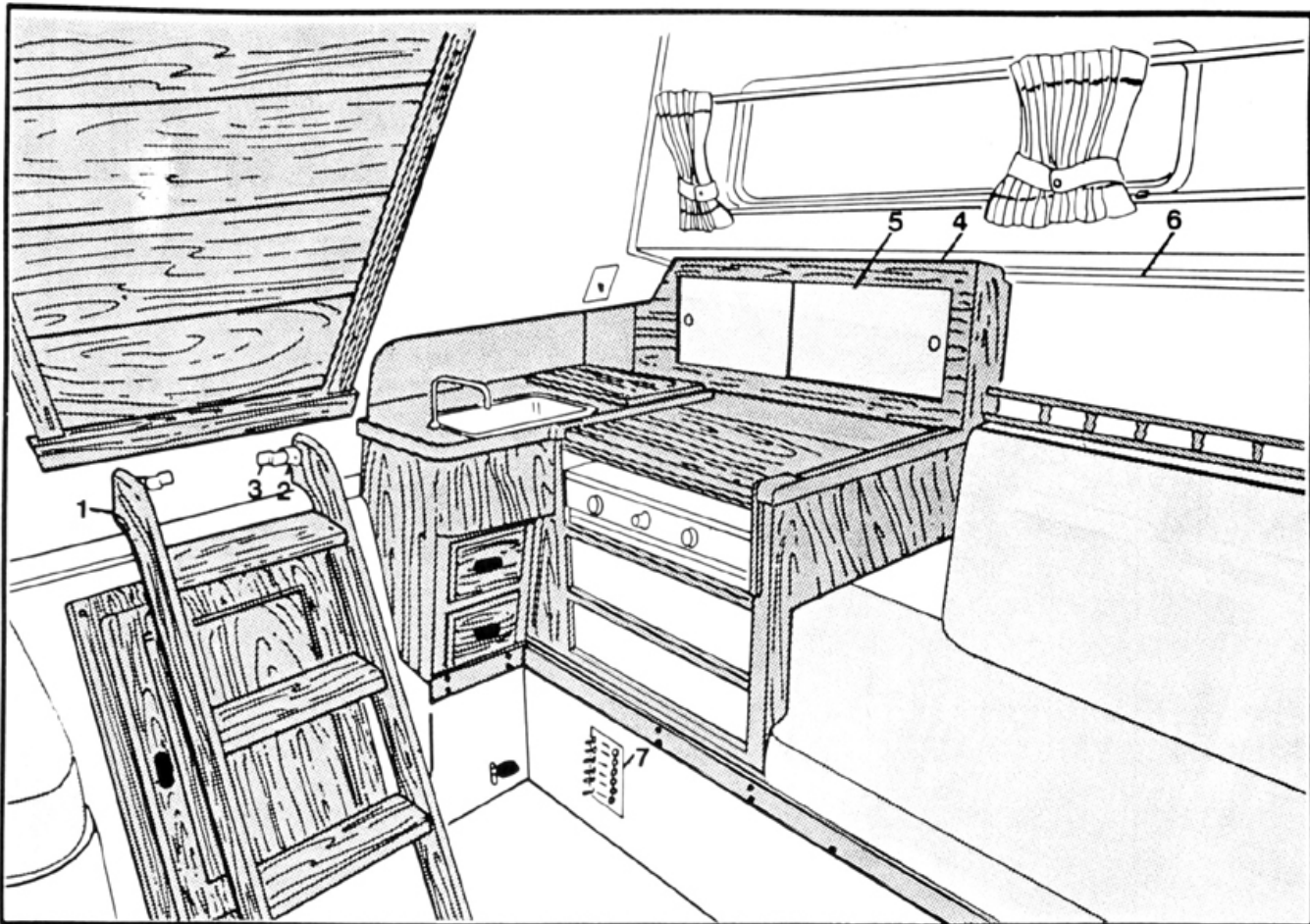
ref.	Part Number	Description	std.	opt.
1	H 43 01 03 285	STARBOARD MAIN CABIN BULKHEAD, TEAK, FOR DINETTE INTERIOR ONLY		1
	H 43 01 03F	FASTENER KIT: (11) #10 x 1 1/4" SLOT. OHSMS, S.S. (11) #10 FINISH WASHER, S.S. (5) 1/4"-20 x 1 1/4" FHMS, S.S. (5) 1/4" FLAT WASHER, S.S. (5) 1/4" LOCK WASHER, S.S. (5) 1/4"-20 HEX NUT. S.S.		1
	H 43 01 04 285	STARBOARD MAIN CABIN BULKHEAD TRIM		1
	H 43 01 04F	FASTENER KIT: (6) #10 x 2" SLOT. OHSMS, S.S. (6) #10 FINISH WASHER, S.S.		1
2	H 43 01 55 285	COMPRESSION POST FOR DINETTE INTERIOR ONLY		1
	H 43 01 55F	FASTENER KIT: (4) #10 x 2" SLOT. OHSMS S.S. (4) #10 FINISH WASHER, S.S.		1
3	H 46 03 09 285	STARBOARD MAIN CABIN PINRAIL, 21" FOR DINETTE STORAGE SHELF		2
	H 46 03 09F	FASTENER KIT: (2) #10 x 1 1/4" SLOT. OHSMS, S.S. (2) #10 FINISH WASHER, S.S.		2
4	H 46 05 01 285	DINETTE STORAGE SHELF		1
	H 46 05 01F	FASTENER KIT: (2) #10 x 2" SLOT. OHSMS, S.S. (3) #10 x 1 1/2" SLOT. OHSMS, S.S. (5) #10 FINISH WASHER, S.S.		1
5	H 46 05 05 285	SLIDING GLASS		2
6	H 46 01 07 285	DINETTE STORAGE SHELF TRIM		1
	H 46 01 07F	FASTENER KIT: (3) #10 x 1 1/4" SLOT. OHSMS, S.S. (3) #10 FINISH WASHER, S.S.		1



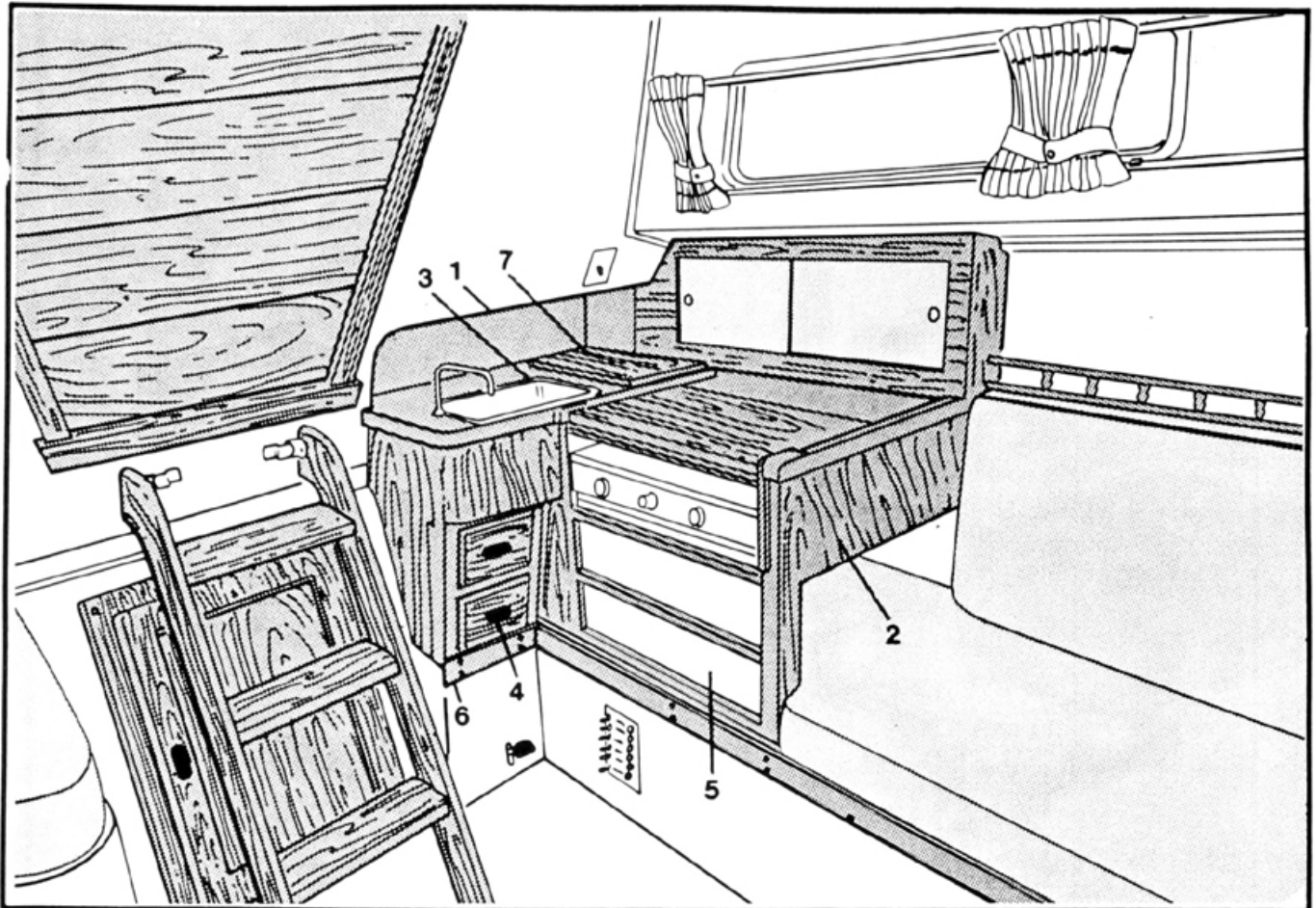
ref.	Part Number	Description	std.	opt.
1	H 44 04 01 450	DINETTE TABLE	1	
2	H 44 04 03 735	TABLE LEG	1	
	H 44 04 03F	FASTENER KIT: (4) #8 x 1/2" PHIL. PHSMS, S.S.	1	
	H 44 04 05 255	MALE BRACKET, ON TABLE, S.S.	2	
	H 44 04 05F	FASTENER KIT: (4) #8 x 1 1/2" PHIL. PHSMS, S.S.	2	
	H 44 04 07 255	FEMALE BRACKET, ON BULKHEAD	2	
	H 44 04 07F	FASTENER KIT: (4) #10 x 1" SLOT. OHSMS, S.S.	2	
3	H 46 01 09 285	FORWARD DINETTE SEAT TRIM, 13 1/2"	1	
	H 46 01 09F	FASTENER KIT: (2) #10 x 1 1/4" SLOT. OHSMS, S.S. (2) #10 FINISH WASHER, S.S.	1	
	H 46 01 11 285	AFT DINETTE SEAT TRIM, 6 1/4"	1	
	H 46 01 11F	FASTENER KIT: (2) #10 x 1 1/4" SLOT. OHSMS, S.S. (2) #10 FINISH WASHER, S.S.	1	
	H 46 01 12 285	AFT DINETTE SEAT TRIM, 12"	1	
	H 46 01 12F	FASTENER KIT: (2) #10 x 1 1/4" SLOT. OHSMS, S.S. (2) #10 FINISH WASHER, S.S.	1	
	H 46 03 13 285	DINETTE INTERIOR PINRAIL, 77" (USED W/O STORAGE SHELF)	1	
	H 46 03 13F	FASTENER KIT: (5) 10 x 1 1/4" SLOT. OHSMS, S.S. (5) FINISH WASHER, S.S.	1	



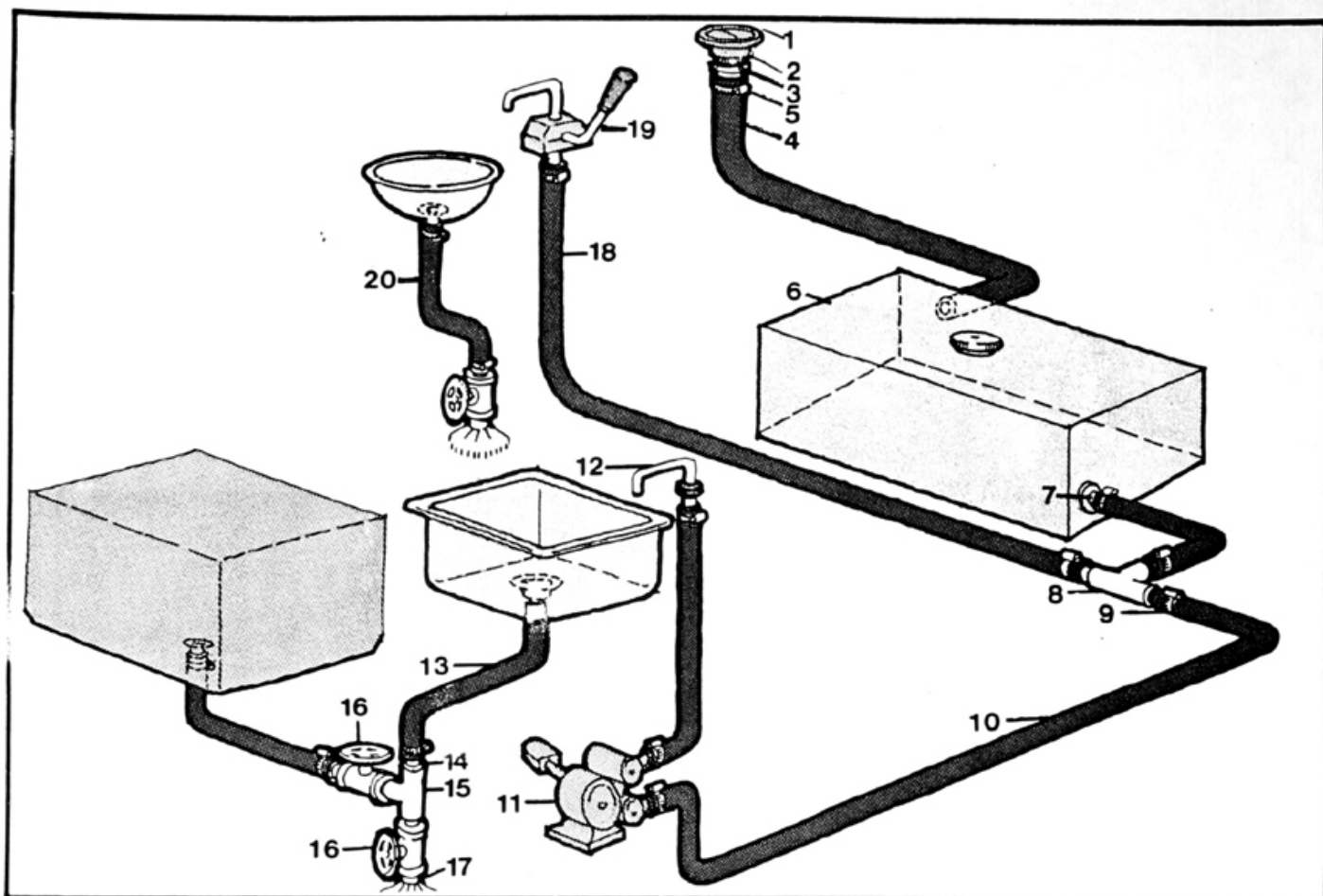
ref.	Part Number	Description	std.	opt.
1	H 26 03 39 285	STARBOARD INTERIOR COMPANIONWAY TRIM, TEAK	1	
2	H 26 03 41 285	PORT INTERIOR COMPANIONWAY TRIM, TEAK.	1	
	H 26 03 51 012	MOLDING TRIM, WHITE VINYL, 10'-5" ON MAIN HATCH	1	
	H 26 03 51F	FASTENER KIT: (24) #8 x 3/4" PHIL. PHSMS, S.S.	1	
	H 43 03 15 285	QUARTERBERTH PINRAIL, 37 1/2" FOR DINETTE INTERIOR	1	
	H 46 03 15F	FASTENER KIT: (2) #10 x 1 1/4" SLOT. OHSMS, S.S.	1	
		(2) #10 FINISH WASHER, S.S.		
	H 46 01 17 285	OVER ENGINE COMPARTMENT TRIM, 26"	1	
	H 46 01 17F	FASTENER KIT: (3) #10 x 1" SLOT. OHSMS, S.S.	1	
3	H 42 07 01 285	ENGINE COMPARTMENT DOOR AND FRAME SPECIFY ENGINE		1
	H 42 07 01F	FASTENER KIT: (5) #10 X 1 1/4" SLOT. OHSMS, S.S.		1
		(5) #10 FINISH WASHERS, S.S.		
	H 43 01 57 285	DINETTE SEAT PANEL.		1
	H 43 01 57F	FASTENER KIT: (5) #10 x 1 1/4" SLOT. OHSMS, S.S.		1
		(5) #10 FINISH WASHER, S.S.		
	H 43 01 63 285	DINETTE SEAT KNEE		1
	H 43 01 63F	FASTENER KIT: (5) #10 x 1 1/4" SLOT. OHSMS, S.S.		1
		(5) #10 FINISH WASHER, S.S.		



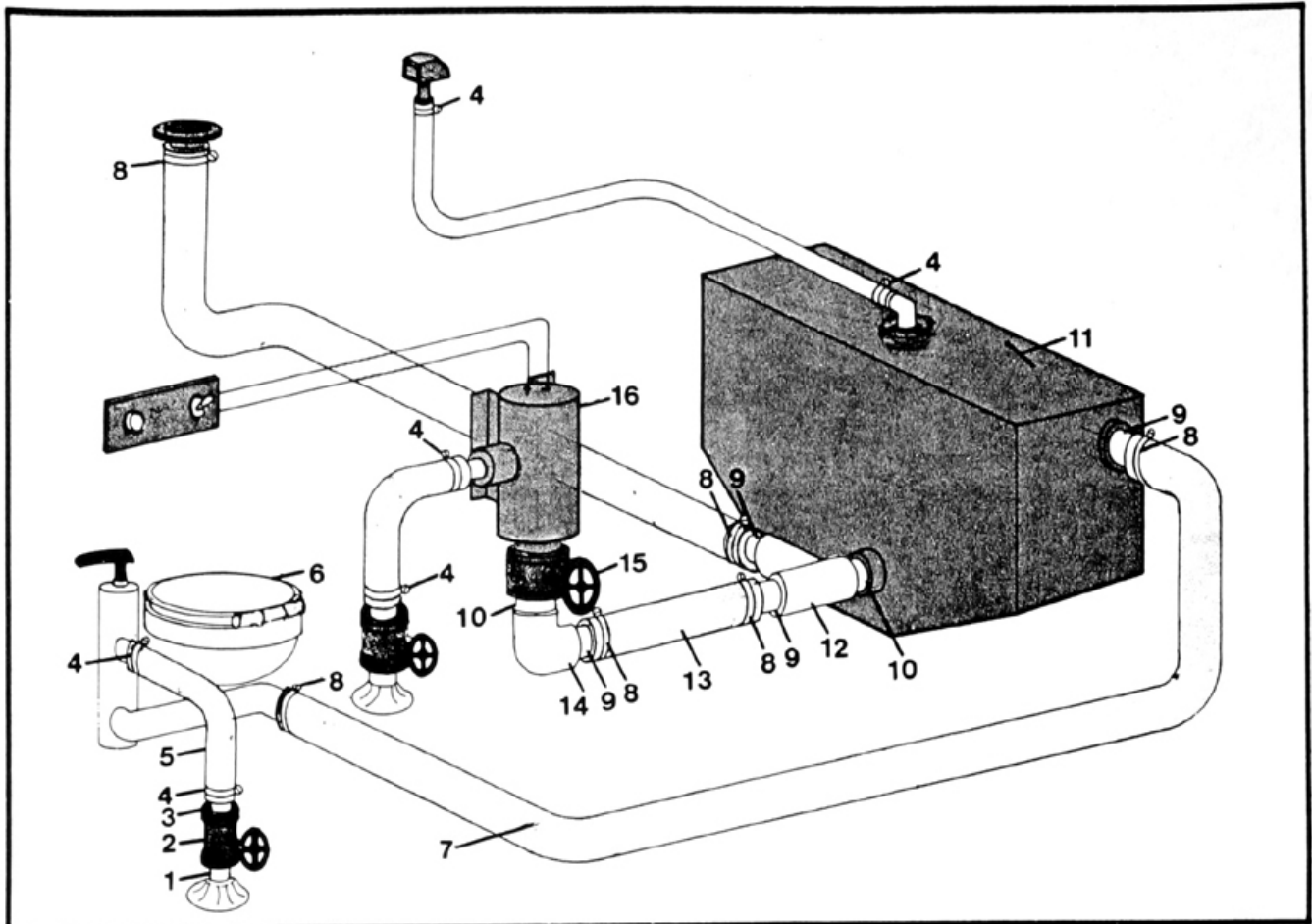
ref	Part Number	Description	std	opt
1	H 43 04 01 285	LADDER	1	
2	H 43 04 03 613	MALE BRACKET, ON LADDER	2	
	H 43 04 03F	FASTENER KIT: (2) #10-24 x 1 1/2" SLOT. FHMS, S.S. (2) #10 FLAT WASHER, S.S. (2) #10 LOCK WASHER, S.S. (2) #10-24 HEX NUT, S.S. (2) #10-24 CAP HEX NUT, S.S.	2	
3	H 43 04 05 613	FEMALE BRACKET, ON BULKHEAD	2	
	H 43 04 05F	FASTENER KIT: (2) #10 x 1" SLOT. OHSMS, S.S.	2	
	H 43 03 07 044	LADDER STEP PAD	3	
4	H 46 05 04 285	AFT GALLEY STORAGE SHELF	1	
	H 46 05 04F	FASTENER KIT: (5) #10 x 2" SLOT. OHSMS, S.S. (8) #10 FINISH WASHER, S.S. (3) #10 x 1 1/4" SLOT. OHSMS, S.S. (3) #6 x 1" SLOT. OHSMS, S.S.	1	
5	H 46 05 05 285	SLIDING GLASS	2	
6	H 46 01 25 285	MAIN CABIN HULL- DECK INTERFACE, 90"	4	
	H 46 01 25F	FASTENER KIT: (5) #10 x 1" SLOT. OHSMS, S.S. (5) #10 FINISH WASHER, S.S.	4	
7	H 71 01 01 490	D.C. MAIN PANEL W/FUSES		1
	H 71 01 01F	FASTENER KIT: (5) #8 x 3/4" PHIL PHSMS, S.S.		1
	H 73 01 05 497	BATTERY SELECTOR SWITCH		1
	H 73 01 05F	FASTENER KIT: (4) #8 x 3/4" PHIL. PHSMS, S.S.		1
	H 73 01 01 712	BATTERY BOX W/TIE DOWN STRAP		2
	H 73 01 03 287	MARINE BATTERY		2
	H 73 01 07 097	BATTERY WIRING FOR TRADITIONAL INTERIOR		1
	H 73 01 09 097	BATTERY WIRING FOR DINETTE INTERIOR		1



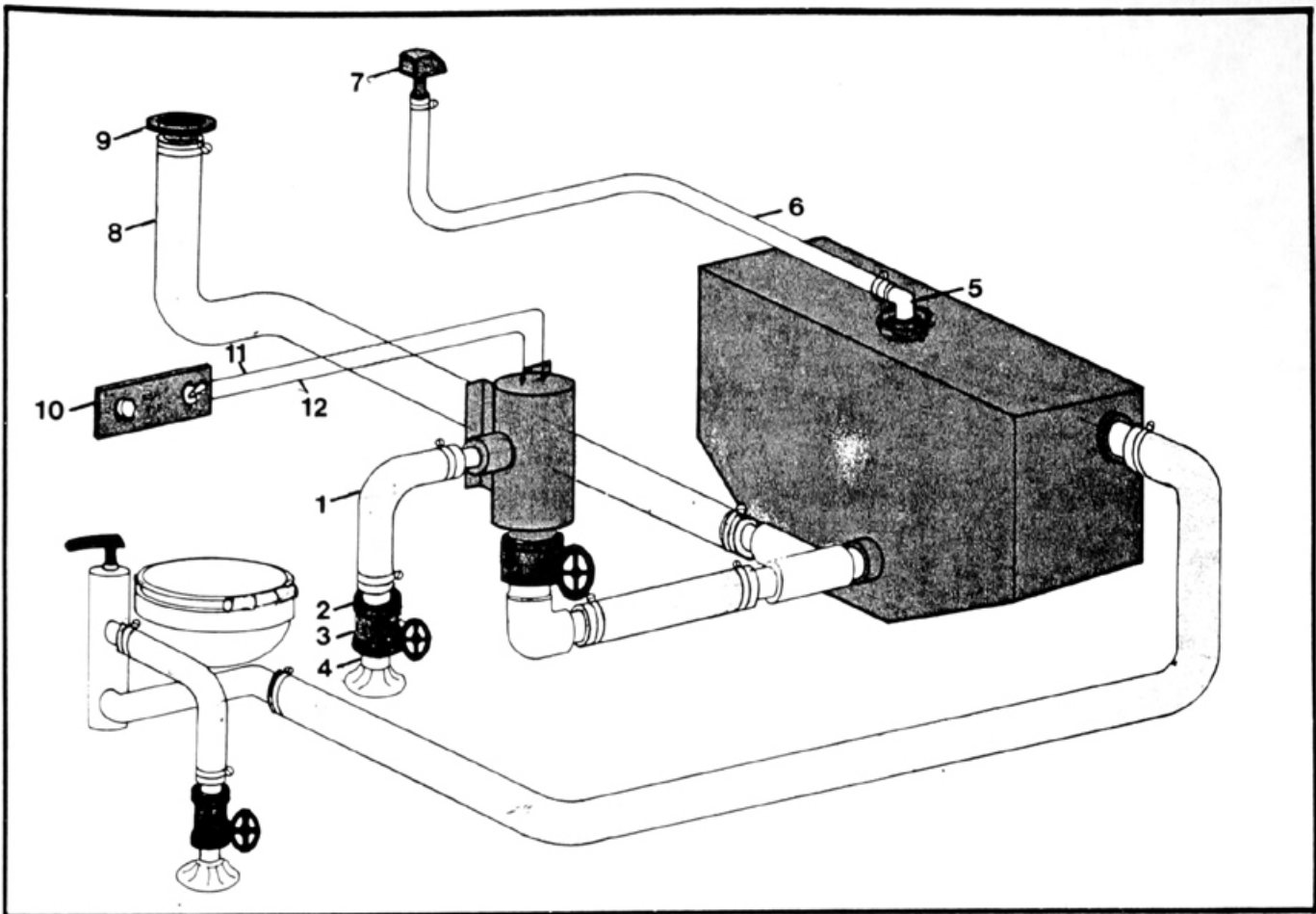
ref.	Part Number	Description	std	opt
1	H 43 01 67 285	AFT GALLEY BULKHEAD, TEAK		1
	H 43 01 67F	FASTENER KIT: (6) #10 x 1 1/2" SLOT. OHSMS, S.S.		1
2	H 45 05 01 285	AFT GALLEY W/OVEN, TEAK		1
	H 45 05 03 285	AFT GALLEY W/STOVE, TEAK	1	
	H 45 05 01-03F	FASTENER KIT: (6) #10 x 1 1/4" SLOT. OHSMS, S.S.	1	1
		(6) #10 FINISH WASHER, S.S.		
		(1) #8 x 1" SLOT. OHSMS, S.S.		
	H 45 05 15 100	ICE BOX PAN, FIBERGLASS	1	
	H 45 05 15F	FASTENER KIT: (22) #10 x 1" SLOT. OHSMS, S.S.	1	
3	H 45 05 17 734	SINK	1	
	H 45 05 17F	FASTENER KIT: (4) JIFFY CLAMP	1	
4	H 45 05 09 285	DRAWER		2
5	H 44 09 01 245	2 BURNER STOVE W/OVEN, CUTTING BOARD, FOR AFT GALLEY ONLY		1
	H 44 09 01F	FASTENER KIT: (2) #6 x 1" SLOT. OHSMS, S.S.		1
	H 44 09 03 519	#4 HOSE CLAMP		2
	H 44 09 09 245	ALCOHOL FUEL TANK W/FUEL LINE, FUEL GAUGE, AND PUMP, FOR OVEN OPTION, IN LAZARETTE		1
	H 44 09 09F	FASTENER KIT: (4) #8 x 3/4" PHIL. PHSMS, S.S.		1
6	H 46 01 19 285	AFT GALLEY TRIM, 9"	1	
	H 46 01 19F	FASTENER KIT: (2) #10 x 1 1/4" SLOT. OHSMS, S.S.		1
		(2) #10 FINISH WASHER, S.S.		
	H 46 01 21 285	AFT GALLEY PANEL		1
	H 46 01 21F	FASTENER KIT: (2) #10 x 1 1/4" SLOT. OHSMS, S.S.		1
		(2) #10 FINISH WASHER, S.S.		
7	H 45 05 04 285	HINGED ICE BOX LIDS		1



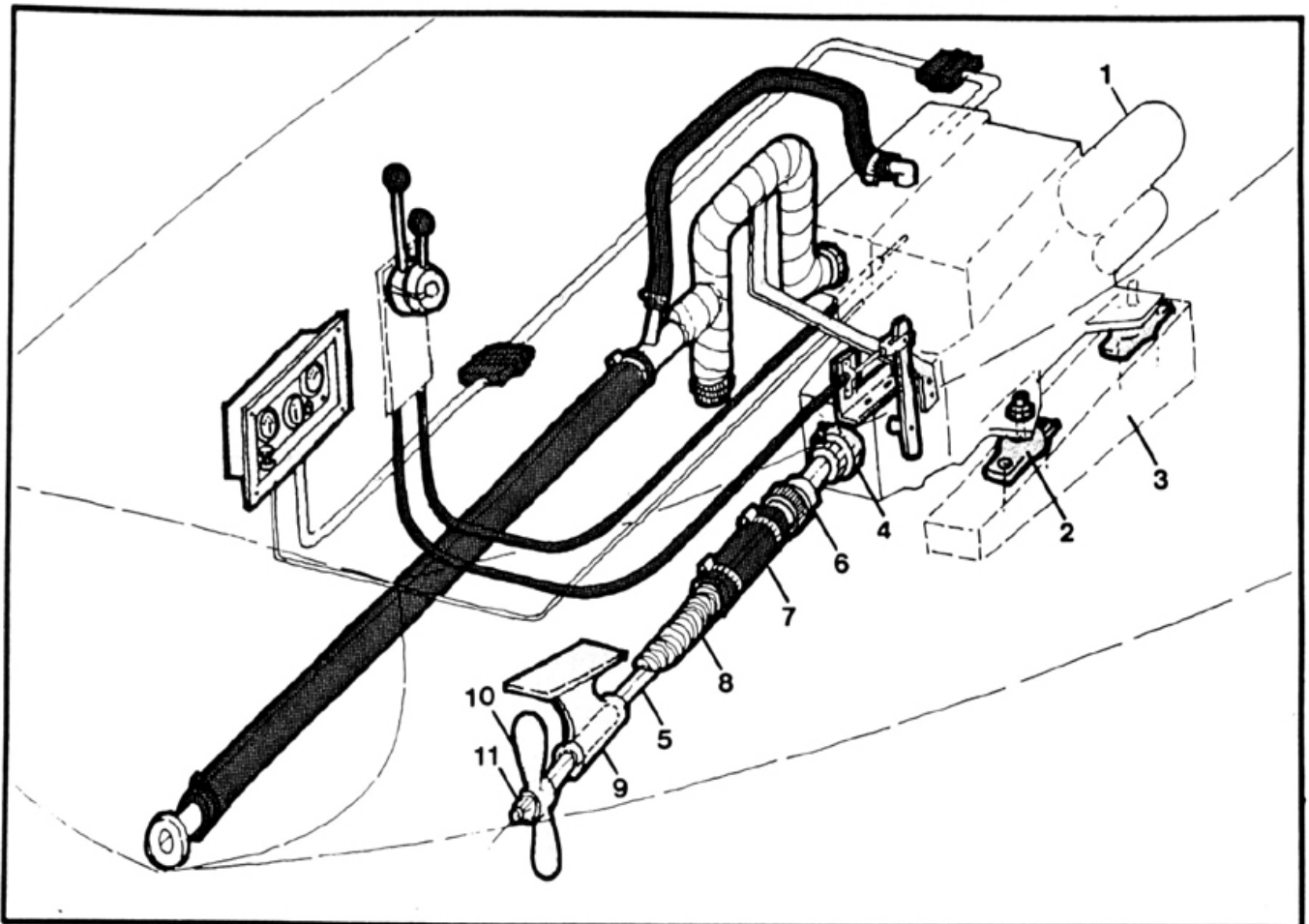
ref	Part Number	Description	std	opt
1	H 63 01 01 497	WATER FILL PLATE	1	
	H 63 01 01F	FASTENER KIT: (4) #10 x 3/4" SLOT. OHSMS, S.S.	1	
2	H 63 01 03 330	1 1/2" MPT x 3/4" FPT HEX BUSHING	1	
3	H 63 01 05 330	3/4" MPT x 3/4" BARB ADAPTOR	1	
4	H 63 01 07 335	3/4" I.D. x 10'-0" FILL HOSE, CLEAR VINYL	1	
5	H 63 01 09 519	#8 HOSE CLAMP, S.S.	8	
	H 63 01 11 295	CABLE TIE DOWN, WHITE PLASTIC	4	
	H 63 01 13 330	3/4" BARB x 1/2" MPT ADAPTOR	1	
6	H 63 01 15 695	13 U.S. GALLON WATER TANK W/CAP	1	
7	H 63 01 17 330	1/2" MPT x 1/2" BARB ELBOW	1	
8	H 63 01 19 330	1/2" BARB T	1	
9	H 63 01 21 519	#6 HOSE CLAMP, S.S.	8	
0	H 63 01 23 035	1/2" I.D. x 8'-0" GALLEY PUMP HOSE, CLEAR VINYL	1	
1	H 63 01 25 723	FOOT PUMP	1	
	H 63 01 27 100	FOOT PUMP BASE	1	
	H 63 01 27F	FASTENER KIT: (1) #10 x 1 1/4" SLOT. OHSMS, S.S. (1) #10 FINISH WASHER, S.S.	1	
2	H 63 01 29 723	TELESCOPING FAUCET	1	
3	H 63 01 31 035	3/4" I.D. x 42" SINK AND ICE BOX DRAIN HOSE, CLEAR VINYL	1	
4	H 63 01 37 900	1/2" x 2" HALF THREADED NIPPLE	2	
5	H 63 01 39 330	1/2" FPT T	2	
6	H 63 01 41 515	1/2" GATE VALVE	2	
7	H 63 01 43 900	1/2" x 3 1/2" HALF THREADED NIPPLE, BONDED THRU HULL	1	
8	H 63 01 45 035	1/2" I.D. x 10'-0" WASH BASIN PUMP HOSE, CLEAR VINYL	1	
9	H 63 01 47 723	HAND PUMP FAUCET	1	
0	H 63 01 49 035	3/4" I.D. x 2'-0" WASH BASIN DRAIN HOSE, CLEAR VINYL	1	
	H 63 01 00 100	FRESH WATER PLUMBING SYSTEM, COMPLETE	1	



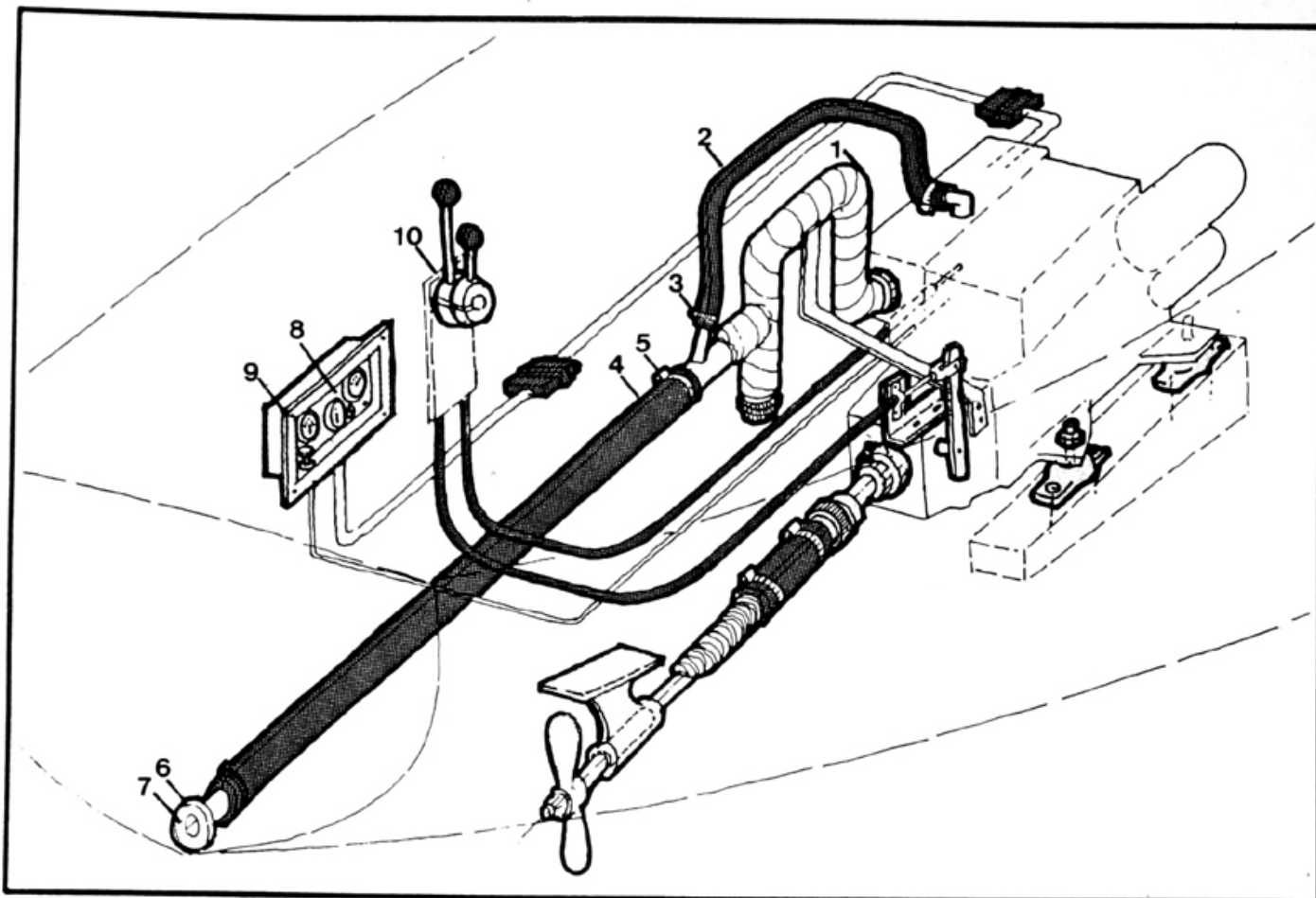
ref	Part Number	Description	std	opt
1	H 65 01 02 900	1/2" x 3 1/2" HALF THREADED NIPPLE, INTAKE THRU HULL BONDED IN PLACE		1
2	H 65 01 03 515	1/2" GATE VALVE		1
	H 65 01 05 296	1/2" ST. ELBOW		1
3	H 65 01 07 900	1/2" x 2" HALF THREADED NIPPLE		1
4	H 65 01 09 519	#8 HOSE CLAMP, S.S.		6
5	H 65 01 11 035	3/4" I.D. x 50" MARINE HEAD INTAKE HOSE		1
6	H 65 01 01 350	MARINE HEAD		1
	H 65 01 01F	FASTENER KIT: (4) 1/4" x 1" LAG BOLT, S.S. (4) 1/4" LOCK WASHERS		1
7	H 65 01 15 335	1 5/8" I.D. x 50" HEAD TO HOLDING TANK HOSE		1
8	H 65 01 17 519	#32 HOSE CLAMP, S.S.		6
9	H 65 01 19 900	1 1/2" x 3" HALF THREADED NIPPLE		4
	H 65 01 21 296	1 1/2" FPT 90° ELBOW		1
10	H 65 01 23 296	1 1/2" CLOSE NIPPLE		3
11	H 65 01 25 695	21 U.S. GALLON HOLDING TANK		1
12	H 65 01 27 296	1 1/2" FPT T		1
13	H 65 01 29 335	1 5/8" I.D. x 6" RUBBER HOSE		1
14	H 65 01 31 296	1 1/2" FPT 90° ELBOW		1
15	H 65 01 32 515	1 1/2" GATE VALVE		1
16	H 65 01 33 350	MACERATOR PUMP		1
	H 65 01 33F	FASTENER KIT: (4) #10-24 x 2" SLOT, FHSMS, S.S. (4) #10 FLAT WASHER, S.S. (4) #10 LOCK WASHER, S.S. (4) #10-24 HEX NUT, S.S. (4) #10 FINISH WASHER, S.S.		1



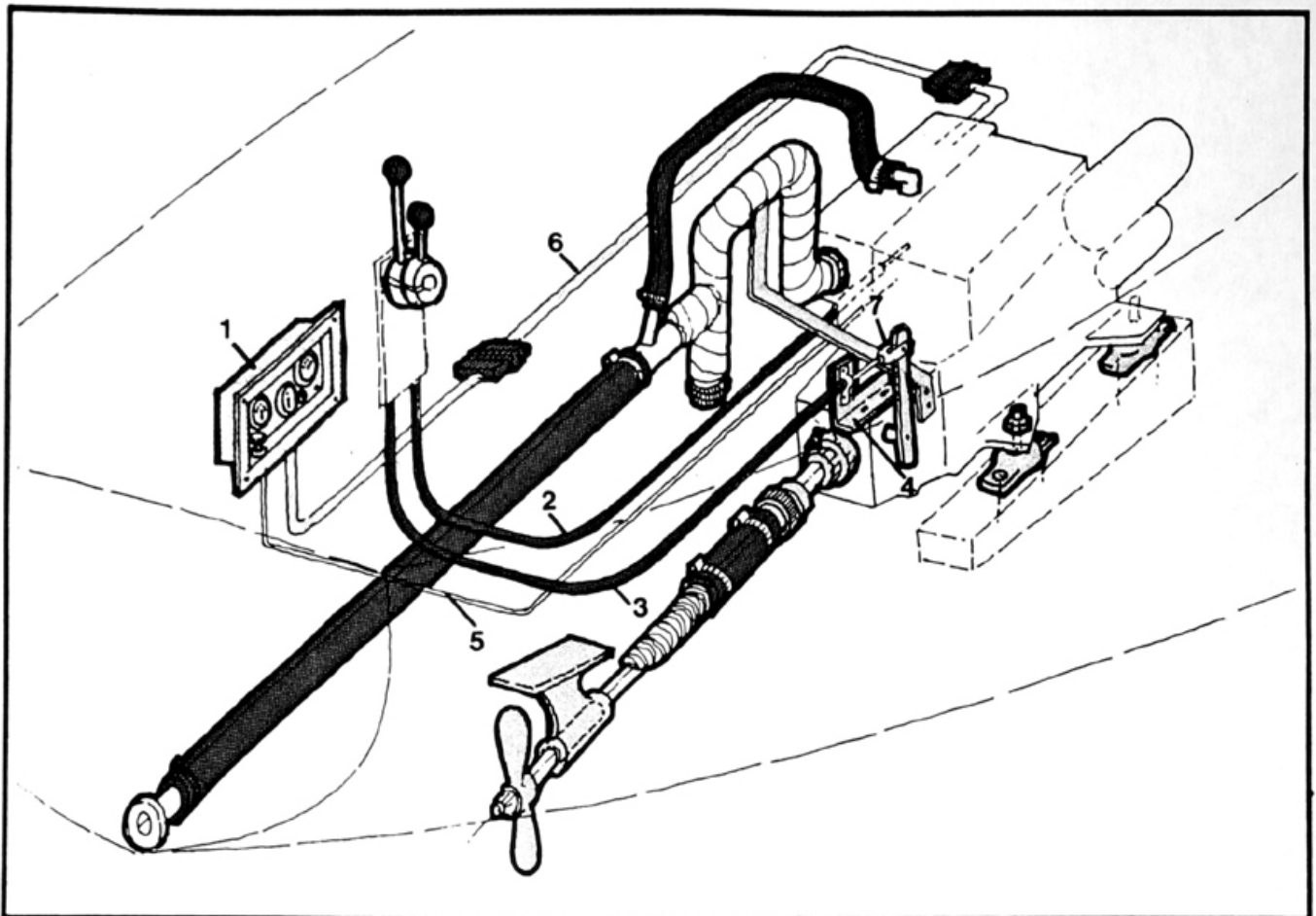
Ref	Part Number	Description	std	opt
H 65 01 35	296	3/4" FPT x 3/4" BARB 90° ELBOW		1
H 65 01 37	035	3/4" I.D. x 10" HOSE		1
H 65 01 39	900	3/4" x 2" HALF THREADED NIPPLE		1
H 65 01 41	515	3/4" GATE VALVE		1
H 65 01 43	900	3/4" x 2 1/2" HALF THREADED NIPPLE, BONDED THRU HULL		1
H 65 01 45	330	3/4" 90° ST. ELBOW		1
H 65 01 47	330	3/4" MPT x 3/4" BARB HOSE CONNECTOR		1
H 65 01 49	035	3/4" I.D. x 80" VENT HOSE, CLEAR VINYL TUBING		1
H 65 01 51	910	HOLDING TANK VENT		1
H 65 01 53	335	1 7/8" I.D. x 85" WIRE REINFORCED PUMP OUT HOSE		1
H 65 01 55	910	DECK PUMP OUT PLATE W/KEY		1
H 65 01 55F		FASTENER KIT: (4) #10 x 3/4" SLOT OHSMS, S.S.		1
H 65 01 57	490	MACERATOR PUMP SWITCH PANEL 1/25 AMP FUSE		1
H 65 01 57F		FASTENER KIT: (4) #8 x 3/4" PHIL, PHSMS, S.S.		1
H 65 01 59	097	12'-0" RED #10 WIRE		1
H 65 01 61	097	12'-0" BLACK #10 WIRE		1
H 65 01 00	100	HOLDING TANK W/ MACERATOR PUMP ASSEMBLY, COMPLETE		1



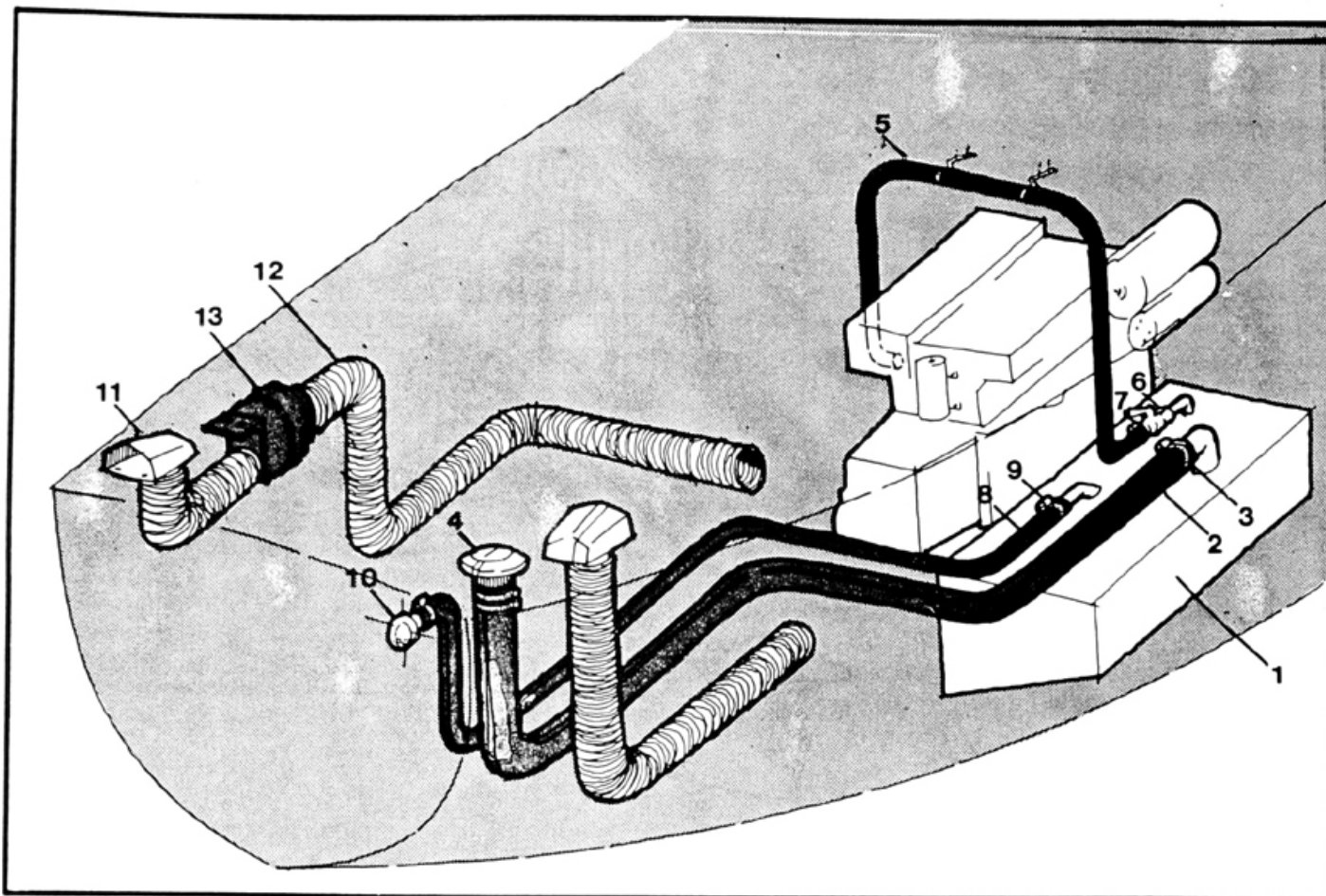
ref	Part Number	Description	std	opt
1	H 51 01 01 496	UNIVERSAL ATOMIC 4, 30 HORSE POWER, GASOLINE ENGINE		1
2	H 51 01 06 060	ENGINE MOUNT		4
	H 51 01 06F	FASTENER KIT: (2) 3/8" x 2" LAG BOLT (2) 3/8" FLAT WASHER (2) 3/8" LOCK WASHER		4
3	H 51 01 07 100	ENGINE BED		1
4	H 51 01 09 496	COUPLING		1
	H 51 01 11 900	KEY		2
5	H 51 01 13 909	PROPELLER SHAFT, 1" x 32 1/2", TOBIN BRONZE		1
6	H 51 01 15 160	STUFFING BOX		1
7	H 51 01 17 335	STUFFING BOX HOSE		1
8	H 51 01 19 109	SHAFT LOG, FIBERGLASS		1
9	H 51 01 21 160	STRUT		1
10	H 51 01 23 505	12 x 7 RIGHT HAND, 2 BLADE PROPELLER		1
11	H 51 01 27 340	PROPELLER CASTLE NUT W/COTTER PIN		1
		<u>WATER INTAKE</u>		
	H 51 01 35 335	INTAKE HOSE, 5/8" I.D. x 2'-6", TYPE A		1
	H 51 01 37 519	#8 HOSE CLAMP, S.S.		2
	H 51 01 39 330	1/2" MPT x 5/8" BARBED COUPLER		1
	H 51 01 41 515	1/2" GATE VALVE		1
	H 51 01 43 285	SHIM RING		1
	H 51 01 46 357	WATER INTAKE THRU HULL W/SCREEN		1
	H 51 01 46F	FASTENER KIT: (4) #6 x 5/8" SLOT. OHSMS, S.S.		1



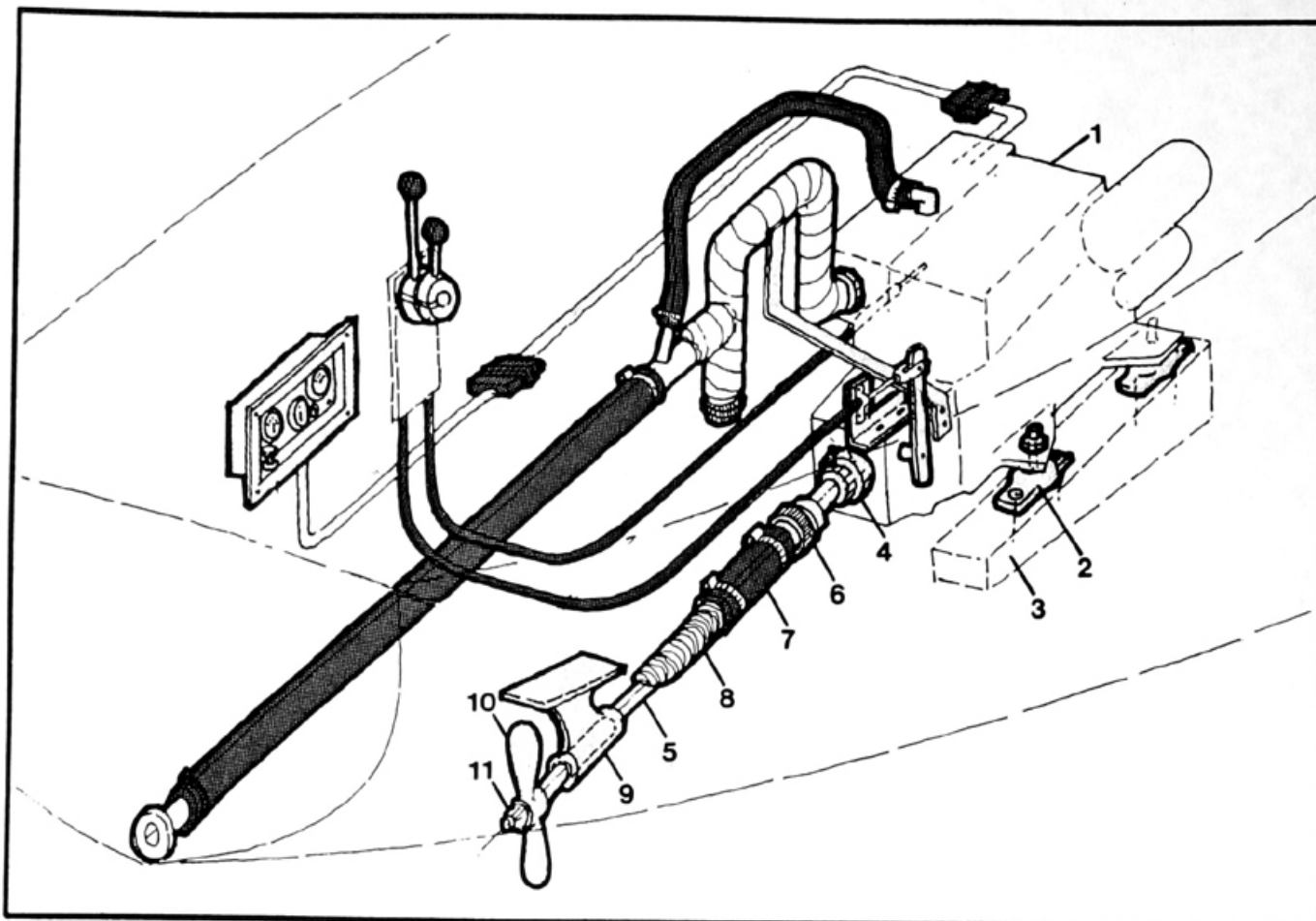
ref	Part Number	Description	std	ont
<u>MUFFLER AND EXHAUST ASSEMBLY</u>				
1	H 51 01 50 100	EXHAUST MANIFOLD W/EXPANDED METAL LATHE		1
2	H 51 01 55 335	5/8" I.D. x 3'-0", TYPE A, COOLING WATER DISCHARGE HOSE		1
3	H 51 01 57 519	#8 HOSE CLAMP, S.S.		2
4	H 51 01 64 335	EXHAUST HOSE, 1 5/8" I.D. x 5'-0", WIRE REINFORCED		1
5	H 51 01 65 519	#20 HOSE CLAMP		2
6	H 51 01 66 900	THRU HULL W/COLLAR		1
7	H 51 01 67 010 H 51 01 67F	EXHAUST FLAP FASTENER KIT: (1) #6 x 5/8" SLOT. OHSMS, S.S. (1) #6 FINISH WASHER, S.S.		1
<u>ENGINE CONTROLS</u>				
8	H 51 01 88 215 H 51 01 88F	CONTROL PANEL W/AMP, TEMPERATURE, OIL PRESSURE GAUGE FASTENER KIT: (4) #6-32 x 1" SLOT. PHMS, S.S. (4) #6 FLAT WASHER, S.S. (4) #6 LOCK WASHER, S.S. (4) #6-32 HEX NUT, S.S.		1
9	H 51 01 89 100 H 51 01 89F	CONTROL PANEL PAN, FIBERGLASS FASTENER KIT: (4) #6-32 x 1" SLOT. PHMS, S.S. (4) #6 FLAT WASHER, S.S. (4) #6 LOCK WASHER, S.S. (4) #6-32, HEX NUT, S.S.		1
10	H 51 01 90 770 H 51 01 90F	ENGINE CONTROLS W/HANDLES, BRACKET FASTENER KIT: (4) 1/4"-20 x 2" SLOT. FHMS, S.S. (4) 1/4" FLAT WASHER, S.S. (4) 1/4" LOCK WASHER, S.S. (4) 1/4"-20 HEX NUT, S.S.		1



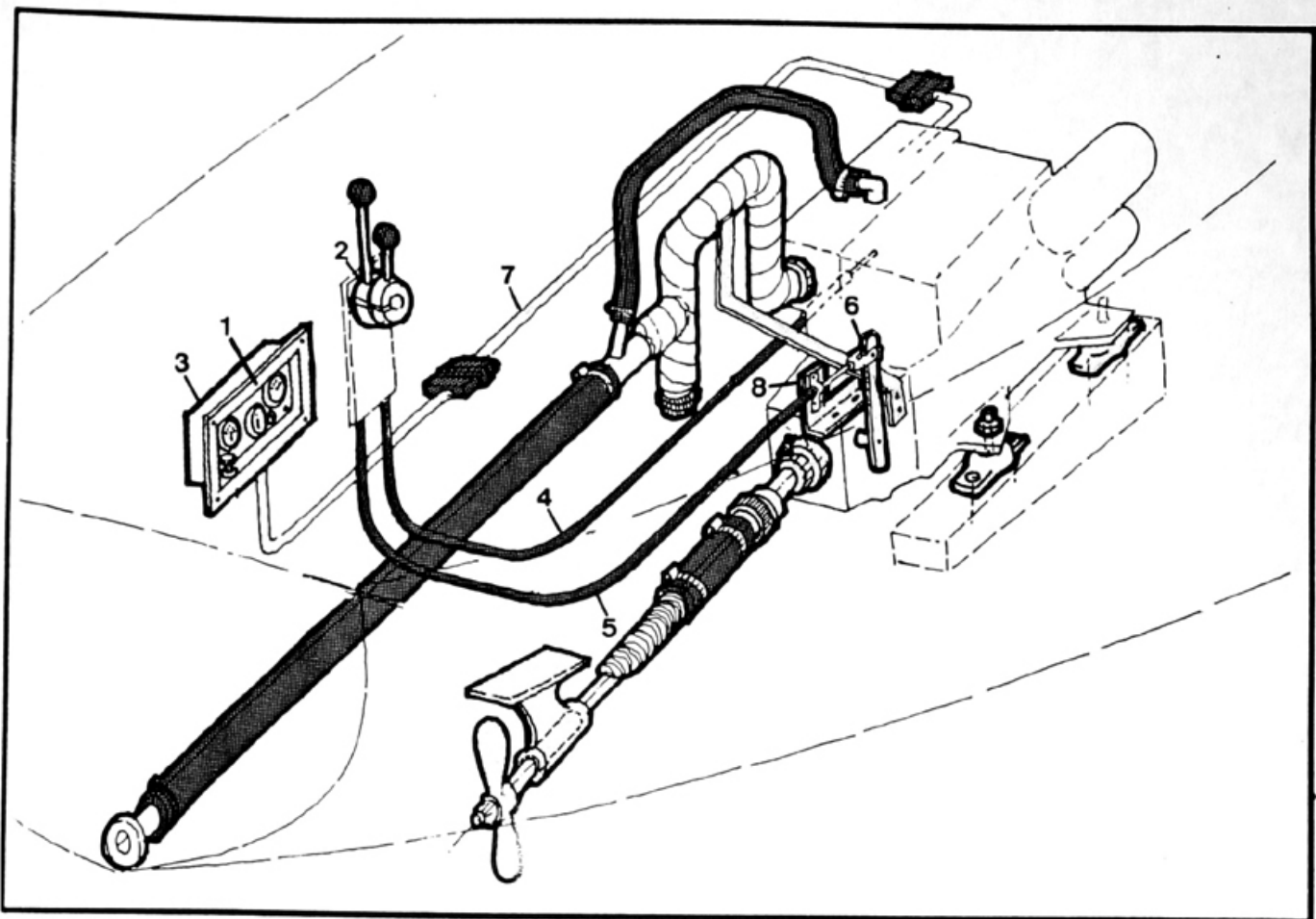
ref	Part Number	Description	std	opt
1	H 51 01 93 100	CONTROL PANEL COVER, FIBERGLASS		1
	H 51 01 93F	FASTENER KIT: (4) #6 - 32 x 2" SLOT. SHMS, S.S.		1
		(4) #6 FLAT WASHER, S.S.		
		(4) #6 LOCK WASHER, S.S.		
		(4) #6 - 32 HEX NUT, S.S.		
2	H 51 01 95 513	THROTTLE CABLE		1
3	H 51 01 96 513	SHIFT CABLE		1
4	H 51 01 97 900	SHIFT CABLE BRACKET, S.S.		1
	H 51 01 97F	FASTENER KIT: (4) #8 x 1" SLOT, OHSMS, S.S.		1
		(4) #8 FLAT WASHER, S.S.		
		(4) #8 LOCK WASHER, S.S.		
		(4) #8-32 HEX NUT, S.S.		
5	H 51 01 98 294	CHOKE CABLE		1
6	H 51 01 99 507	WIRE HARNESS		1
	H 51 01 103 215	OIL PRESSURE SENDER		1
	H 51 01 105 215	TEMPERATURE SENDER		1
7	H 51 01 107 513	CLUTCH CLEVIS		1



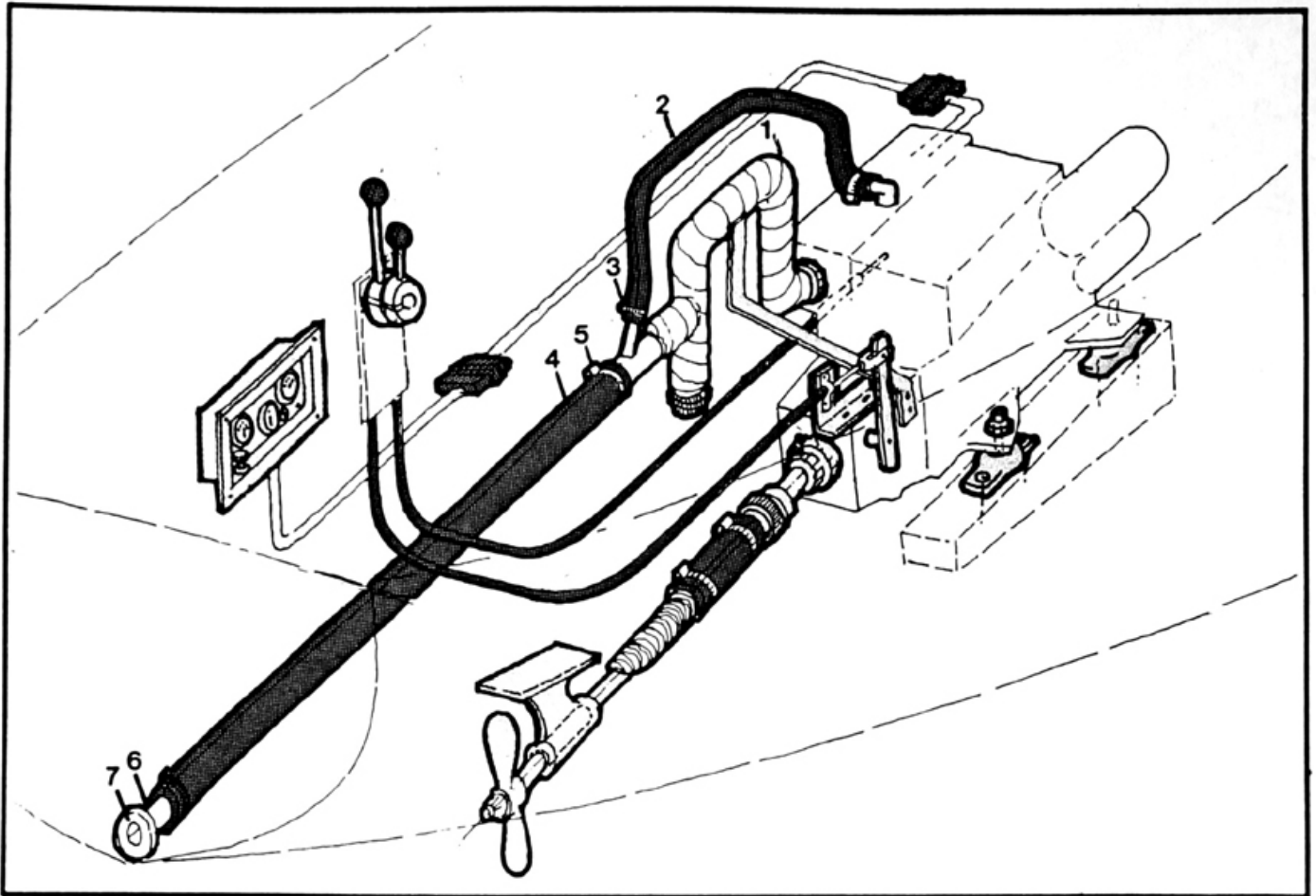
ref	Part Number	Description	std	opt
		<u>FUEL TANK AND LINES</u>		
1	H 51 01 75 729	FUEL TANK, 15 U.S. GALLON CAPACITY	1	
	H 51 01 75F	FASTENER KIT: (12) #8 x 3/4" PHIL PHSMS, S.S.	1	
	H 51 01 76 729	FUEL LEVEL GAUGE	1	
	H 51 01 76F	FASTENER KIT: (2) #4 x 3/8" PHIL. PHSMS, S.S.	1	
2	H 51 01 77 330	FUEL FILL HOSE, 1 1/2" I.D. x 8'-0", TYPE B	1	
3	H 51 01 78 519	#20 HOSE CLAMP, S.S.	4	
4	H 51 01 79 008	FUEL FILL DECK PLATE	1	
	H 51 01 79F	FASTENER KIT: (3) #8 x 3/4" PHIL. PHSMS, S.S.	1	
	H 51 01 80 097	GROUND WIRE, #6 GAUGE x 8'-0"	1	
5	H 51 01 81 335	FUEL LINE, 3/8" I.D. x 20", TYPE A	1	
	H 51 01 82 519	#6 HOSE CLAMP	4	
6	H 51 01 83 729	PET COCK	1	
7	H 51 01 84 729	ANTI SIPHON VALVE	1	
8	H 51 01 85 025	FUEL VENT HOSE, 5/8" I.D. x 8'-0", TYPE B	1	
9	H 51 01 86 519	#8 HOSE CLAMP, S.S.	2	
10	H 51 01 87 008	FUEL VENT, S.S.	1	
		<u>VENTING</u>		
11	H 51 01 69 260	ENGINE COMPARTMENT VENT, S.S.	1	
	H 51 01 69F	FASTENER KIT: (3) #8 x 3/4" PHIL. PHSMS, S.S.	1	
	H 51 01 70 519	#50 HOSE CLAMP, S.S.	2	
12	H 51 01 72 480	VENT HOSE, WIRE REINFORCED, 3" I.D. x 10'-0"	2	
13	H 51 01 73 140	BLOWER W/COLLAR	1	
	H 51 01 73F	FASTENER KIT: (10) #8 x 3/4" PHIL. PHSMS, S.S.	1	
	H 51 01 00 100	UNIVERSAL ATOMIC 4 ENGINE INSTALLATION, COMPLETE	1	



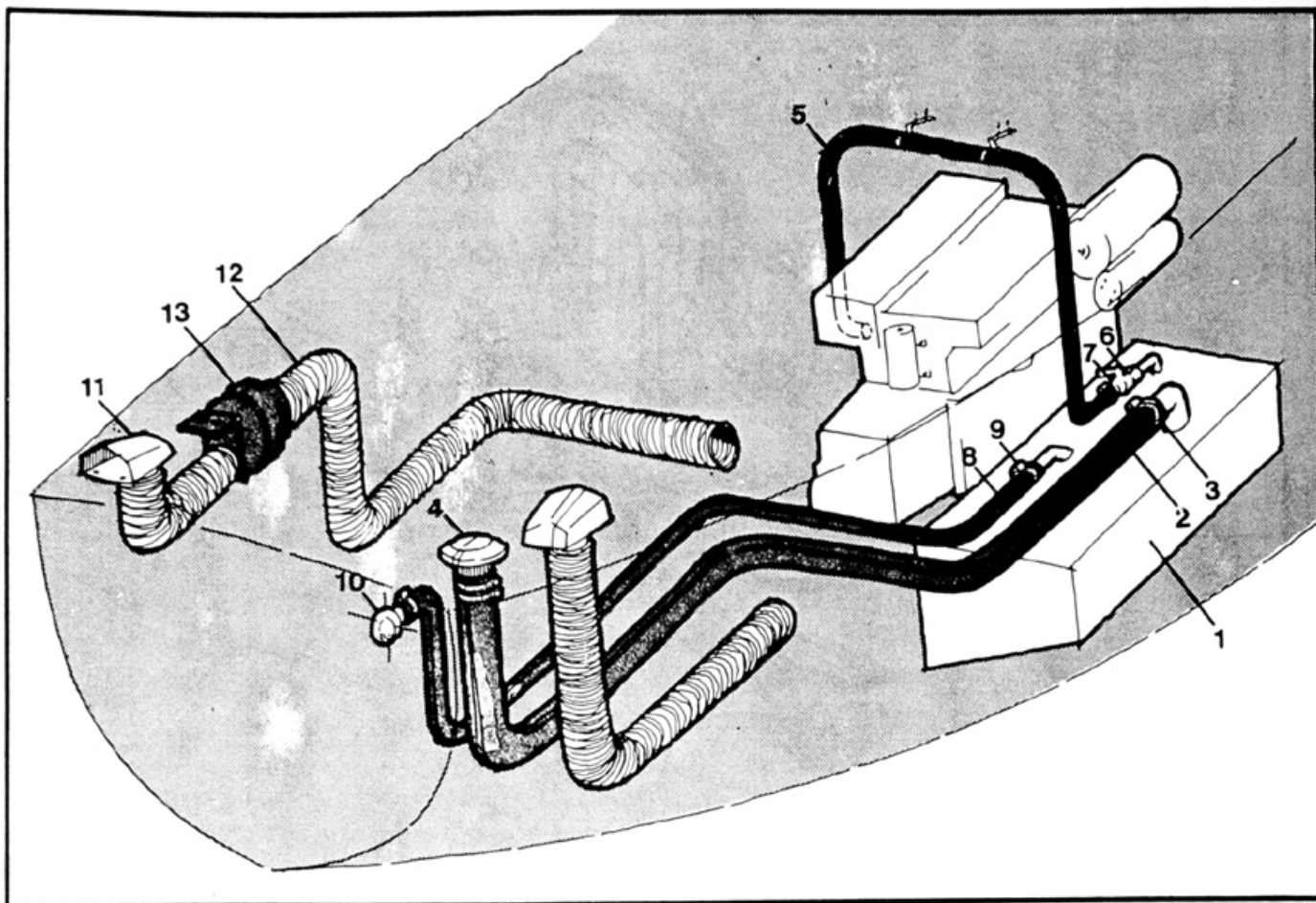
ref	Part Number	Description	std	opt
1	H 51 03 01 496	UNIVERSAL 2 CYLINDER U-5411 DIESEL ENGINE, 11 HORSE POWER	1	
2	H 51 03 05 060	ENGINE MOUNT	4	
	H 51 03 05F	FASTENER KIT: (2) 3/8" x 2" LAG BOLT	4	
		(2) 3/8" FLAT WASHER		
		(2) 3/8" LOCK WASHER		
3	H 51 03 07 100	ENGINE BED	1	
4	H 51 03 09 496	COUPLING	1	
	H 51 03 11 900	KEY	1	
5	H 51 03 13 900	PROPELLER SHAFT	1	
6	H 51 03 15 160	STUFFING BOX	1	
7	H 51 03 17 335	STUFFING BOX HOSE	1	
8	H 51 03 19 100	SHAFT LOG, FIBERGLASS	1	
9	H 51 03 21 160	STRUT	1	
10	H 51 03 23 505	PROPELLER, 12 x 11 RIGHT HAND, 2 BLADE	1	
11	H 51 03 27 340	PROPELLER CASTLE NUT W/COTTER PIN	1	
		<u>WATER INTAKE</u>		
	H 51 03 31 357	WATER INTAKE THRU HULL W/SCREEN	1	
	H 51 03 33 285	SHIM RING	1	
	H 51 03 35 515	1/2" GATE VALVE	1	
	H 51 03 37 280	1/2" CLOSE NIPPLE	1	
	H 51 03 39 330	1/2" FPT T	1	
	H 51 03 41 330	1/2" MPT x 5/8" BARB COUPLER	1	
	H 51 03 43 330	1/2" MPT x 5/8" BARB ELBOW	1	
	H 51 03 45 335	INTAKE HOSE, 5/8" I.D. x 2'-0", TYPE A	1	
	H 51 03 47 519	#8 HOSE CLAMP, S.S.	1	



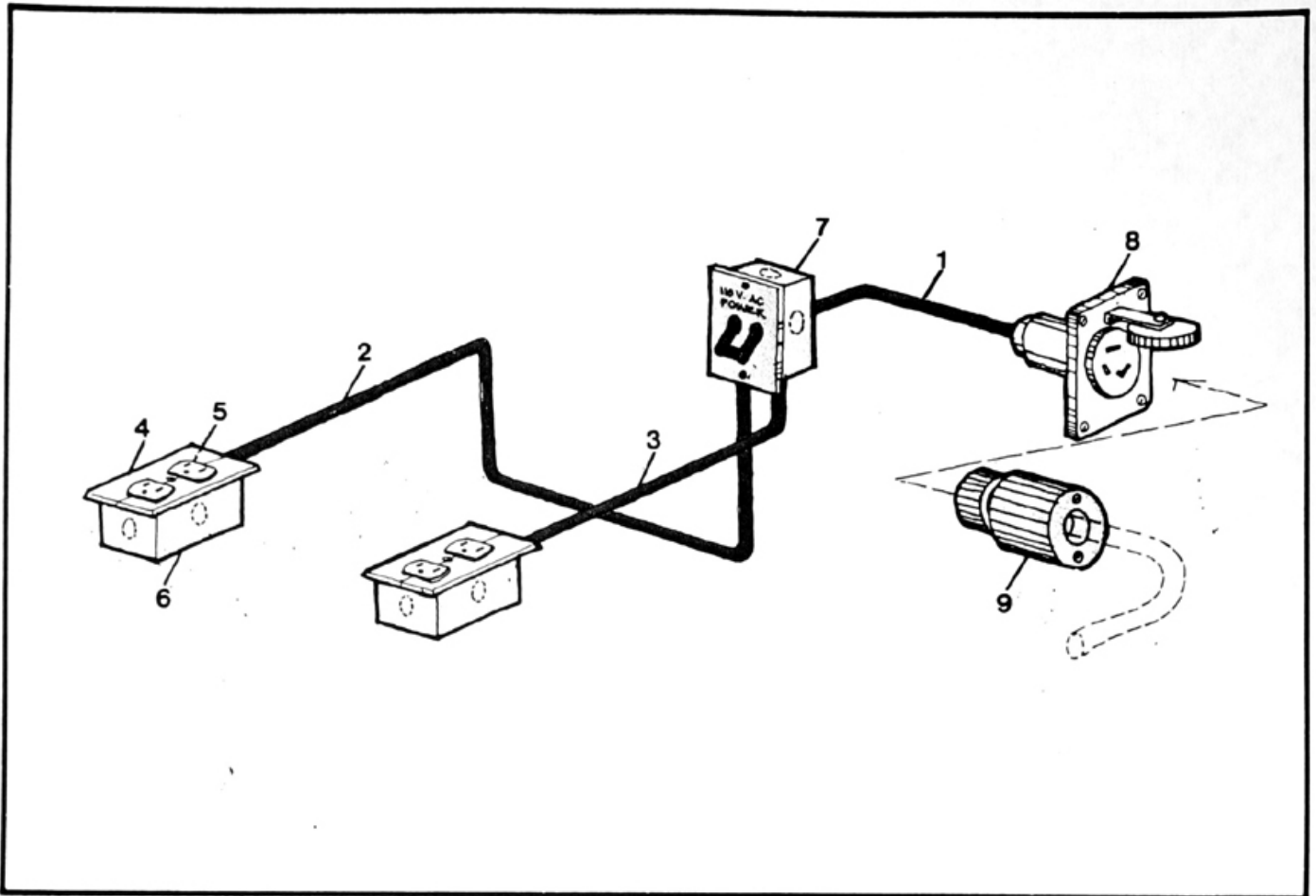
ref	Part Number	Description	std	opt
1	H 51 03 89 496 H 51 03 89F	CONTROL PANEL W/GAUGES FASTENER KIT: (4) #6-32 x 1" SLOT. PHMS, S.S. (4) #6 FLAT WASHER, S.S. (4) #6 LOCK WASHER, S.S. (4) #6-32 HEX NUT, S.S.	1	1
2	H 51 03 91 770 H 51 03 91F	ENGINE CONTROLS W/HANDLES, BRACKET FASTENER KIT: (4) 1/4"-20 x 2" SLOT. FHMS, S.S. (4) 1/4" FLAT WASHER, S.S. (4) 1/4" LOCK WASHER, S.S. (4) 1/4"-20 HEX NUT, S.S.	1	1
3	H 51 03 94 100 H 51 03 94F	ENGINE CONTROL COVER, FIBERGLASS FASTENER KIT: (4) #6-32 x 1" SLOT. PHMS, S.S. (4) #6 FLAT WASHER, S.S. (4) #6 LOCK WASHER, S.S. (4) #6-32 HEX NUT, S.S.	1	1
4	H 51 03 95 513	THROTTLE CABLE	1	
5	H 51 03 96 513	SHIFT CABLE	1	
6	H 51 03 97 513	CLUTCH CLEVIS	1	
7	H 51 03 98 215	WIRE HARNESS	1	
8	H 51 03 99 900 H 51 03 99F	SHIFT CABLE BRACKET FASTENER KIT: (4) #8 x 1" SLOT. OHSMS.,SS. (4) #8 LOCK WASHER,SS. (4) #8 FLAT WASHER, SS. (4) #8-32 HEX NUT,SS.	1	1



ref	Part Number	Description	std	opt
<u>MUFFLER AND EXHAUST ASSEMBLY</u>				
1	H 51 03 50 100	EXHAUST MAINIFOLD W/ EXPANDED METAL LATHE		1
2	H 51 03 51 335	5/8" I.D. x 2'-6", TYPE A, EXHAUST MANIFOLD COOLING WATER HOSE		1
3	H 51 03 53 519	#8 HOSE CLAMP, S.S.		2
4	H 51 03 54 335	EXHAUST HOSE, 1 5/8" I.D. x 5'-6" WIRE REINFORCED		1
5	H 51 03 55 519	#20 HOSE CLAMP, S.S.		6
	H 51 03 57 515	1 1/2" CHECK VALVE		1
	H 51 03 59 900	1 1/2" x 2" HALF THREADED NIPPLE		2
6	H 51 03 61 900	THRU HULL W/COLLAR		1
7	H 51 03 62 010	EXHAUST FLAP		1
	H 51 03 62F	FASTENER KIT: (1) #6 x 5/8" SLOT OHSMS, S.S. (1) #6 FINISH WASHER, S.S.		1 1



ref	Part Number	Description	std	opt
<u>FUEL TANK AND FUEL LINES</u>				
1	H 51 03 69 729	FUEL TANK, 15 U.S. GALLON CAPACITY	1	
	H 51 03 69F	FASTENER KIT: (12) #8 x 3/4" PHIL PHSMS, S.S.	1	
	H 51 03 70 729	FUEL LEVEL GAUGE	1	
	H 51 03 70F	FASTENER KIT: (2) #4 x 3/8" PHIL. PHSMS, S.S.	1	
2	H 51 03 71 330	FUEL FILL HOSE, 1 1/2" I.D. x 8'-0", TYPE B	1	
3	H 51 03 72 519	#20 HOSE CLAMP, S.S.	4	
4	H 51 03 73 008	FUEL FILL DECK PLATE	1	
	H 51 03 73F	FASTENER KIT: (3) #8 x 3/4" PHIL. PHSMS, S.S.	1	
	H 51 03 75 097	GROUND WIRE, #6 GAUGE x 8'-0"	1	
5	H 51 03 76 335	FUEL LINE, 1/4" I.D. x 6'-0", TYPE A	1	
	H 51 03 77 519	#6 HOSE CLAMP, S.S.	6	
	H 51 03 79 900	RETURN T	1	
6	H 51 03 81 729	PET COCK	1	
7	H 51 03 83 729	ANTI SIPHON VALVE	1	
8	H 51 03 84 025	FUEL VENT HOSE, 5/8" I.D. x 8'-0", TYPE B	1	
9	H 51 03 86 519	#8 HOSE CLAMP, S.S.	:	
10	H 51 03 87 008	FUEL OVERFILL VENT	1	
<u>VENTING</u>				
11	H 51 03 64 260	ENGINE COMPARTMENT VENT, S.S.	2	
	H 51 03 64F	FASTENER KIT: (3) #8 x 3/4" PHIL PHSMS, S.S.	2	
	H 51 03 65 519	#50 HOSE CLAMP, S.S.	2	
12	H 51 03 66 480	VENT HOSE, WIRE REINFORCED, 3" I.D. x 10'-0"	2	
13	H 51 03 67 140	BLOWER W/COLLAR	1	
	H 51 03 67F	FASTENER KIT: (10) #8 x 3/4" PHIL. PHSMS, S.S.	1	
	H 51 03 00 100	UNIVERSAL DIESEL # 5411 ENGINE ASSEMBLY, COMPLETE	1	



ref	Part Number	Description	std	ont
1	H 70 01 01 097	2'-0" #12, 3 CONDUCTOR NEOPRENE COATED WIRE		1
2	H 70 01 02 097	17'-0" #12, 3 CONDUCTOR NEOPRENE COATED WIRE		1
3	H 70 01 03 097	14'-0" #12, 3 CONDUCTOR NEOPRENE COATED WIRE		1
4	H 70 01 04 490	110 VOLT RECEPTACLE COVER		2
	H 70 01 04F	FASTENER KIT: (1) #8 x 1" SLOT. FHMS, S.S.		2
5	H 70 01 05 004	110 VOLT DUPLEX OUTLET		2
6	H 70 01 07 490	110 VOLT DUPLEX OUTLET JUNCTION BOX		2
7	H 70 01 09 490	20 AMP CIRCUIT BREAKER		1
	H 70 01 09F	FASTENER KIT: (2) #8 x 1" SLOT FHMS, S.S.		1
	H 70 01 11 490	BARRIER STRIP CONNECTOR, FOR GROUND		1
	H 70 01 13 490	BARRIER STRIP JUMPER		1
8	H 70 01 15 004	FEMALE DOCKSIDE CONNECTOR		1
	H 70 01 15F	FASTENER KIT: (4) #10 x 1 1/4" SLOT. OHSMS, S.S.		1
9	H 70 01 17 004	MALE DOCKSIDE CONNECTOR		1
	H 70 01 00 100	110 VOLT DOCKSIDE POWER ASSEMBLY, COMPLETE		1