

**UNIVERSAL ATOMIC DIESEL**

**MODEL 15**

**5411(11H.P.)**

SEA WATER COOLED

**PARTS MANUAL**

**200138**

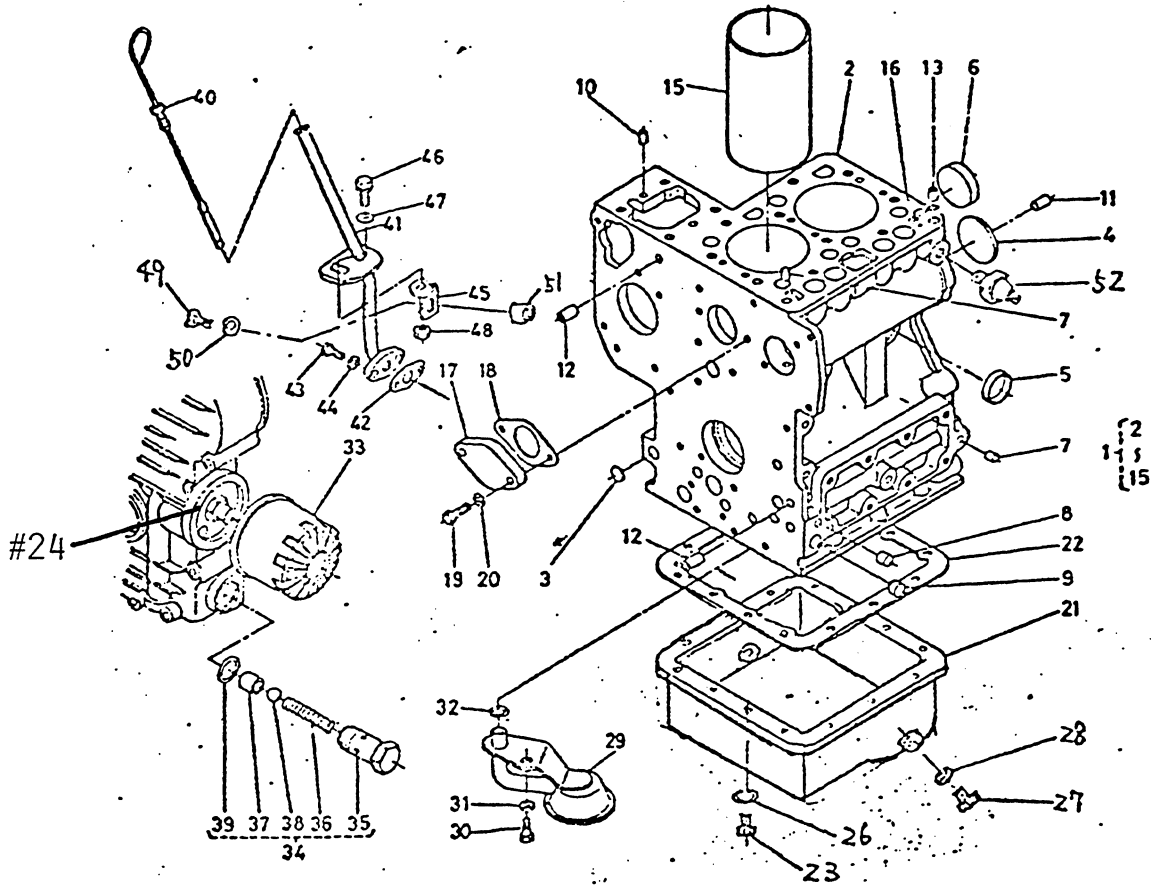
**Universal Motors**

For Serial No. Prior to 300072

	<u>Page No.</u>
CRANKCASE GROUP-GASKET SET . . . . .	1 - 1A - 2 - 3
CYLINDER HEAD GROUP . . . . .	4
GEAR CASE GROUP . . . . .	5 - 6
BEARING CASE GROUP . . . . .	7
HEAD COVER GROUP . . . . .	8
BREATHER GROUP . . . . .	9 - 9A
CAMSHAFT GROUP . . . . .	10 -11
VALVE, ROCKER ARM GROUP . . . . .	12
PISTON, CRANKSHAFT GROUP . . . . .	13-13A-14
FLYWHEEL GROUP . . . . .	15
NOZZLE HOLDER GROUP . . . . .	16
FUEL CAMSHAFT GROUP . . . . .	17
SPEED CONTROL PLATE GROUP . . . . .	18
GOVERNOR GROUP . . . . .	19
NOZZLE GROUP . . . . .	20
INJECTION PUMP GROUP . . . . .	21
STARTER GROUP . . . . .	22 -23
FUEL FILTER GROUP . . . . .	24
ENGINE MOUNT GROUP . . . . .	25
TRANSMISSION GROUP . . . . .	26 -26A
COUPLINGS . . . . .	26B
THROTTLE LINKAGE CONTROL GROUP . . . . .	27
DYNAMO GROUP . . . . .	28
INLET MANIFOLD GROUP . . . . .	29
EXHAUST MANIFOLD GROUP . . . . .	30
THERMOSTAT . . . . .	31
WATER PUMP . . . . .	32-32A-32B
SPARE PARTS KIT . . . . .	33
INSTRUMENT PANEL . . . . .	33
WIRING DIAGRAM . . . . .	34

# CRANKCASE GROUP

Serial No. Prior to 300072

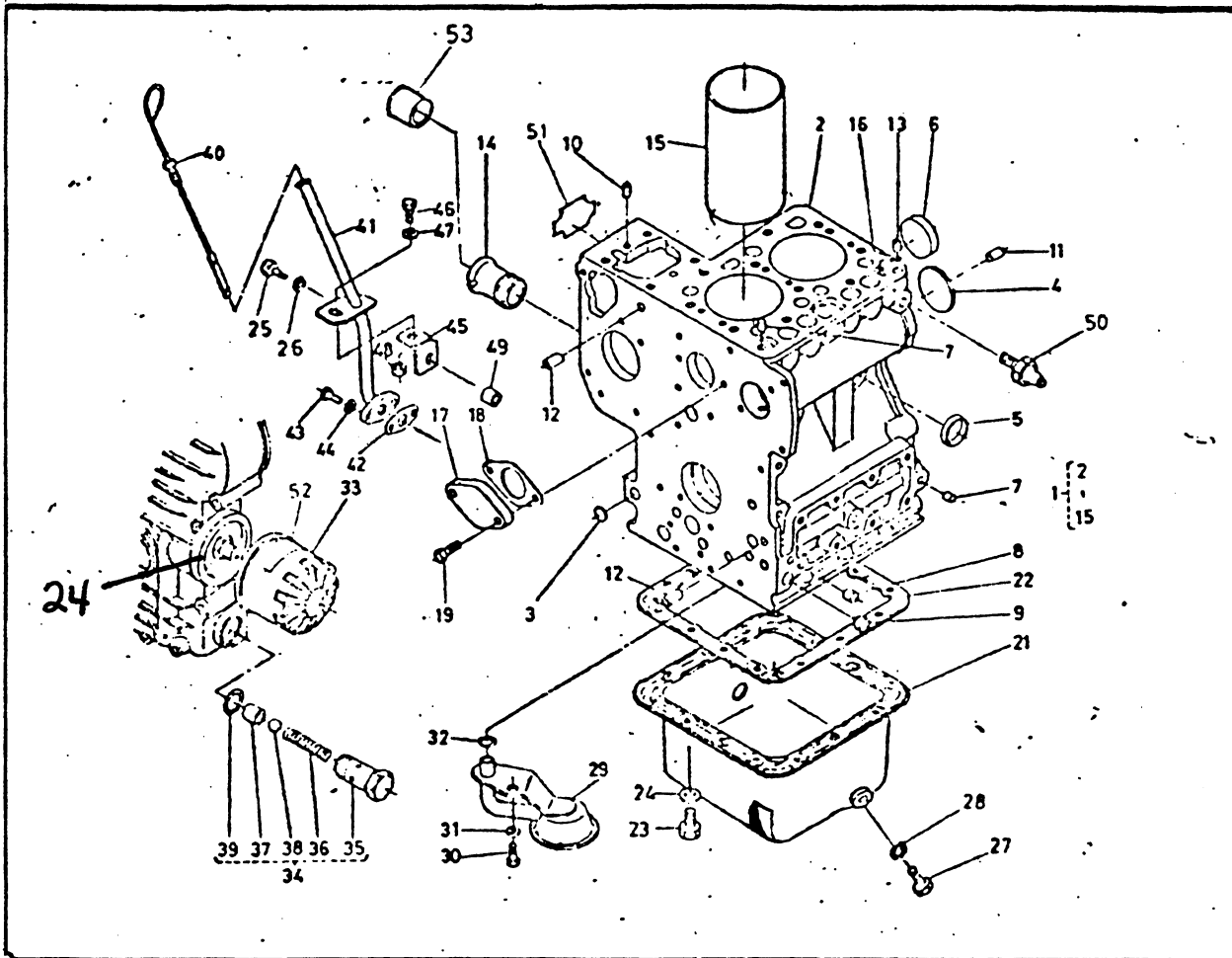


FROM SERIAL NO. 230248 TO 230416  
300000 300071

ITEM	PART NO.	DESCRIPTION	UNIT
1	299351	Assembly, Crankcase	1
2		Crankcase	1
3	299352	Plug, Expansion	3
4	299353	Plug, Expansion	1
5	<del>299364</del>	Cap, Sealing 299906	3
6	<del>299365</del>	Cap, Sealing 299907	1
7	299356	Plug, Pin	5
8	299357	Plug, Pin	3
9	299358	Plug, Blind	1
10	299359	Pin, Straight	2
11	299360	Pin, Straight	2
12		Pin, Pipe	1
13	300716	Pin, Pipe	2
14			
15	299361	Liner, Cylinder	2
16	299362	O Ring	1
17	<del>299363</del>	Cover, Water 301755	1
18	299364	Gasket, Water Cover	1
19	299365	Bolt	2
20		Washer, Spring	2
21	299366	Oil Pan	1
22	299367	Gasket, Oil Pan	1
23	299368	Bolt	14
24	299412	PIPE JOINT FOR FILTER	

CRANKCASE GROUP

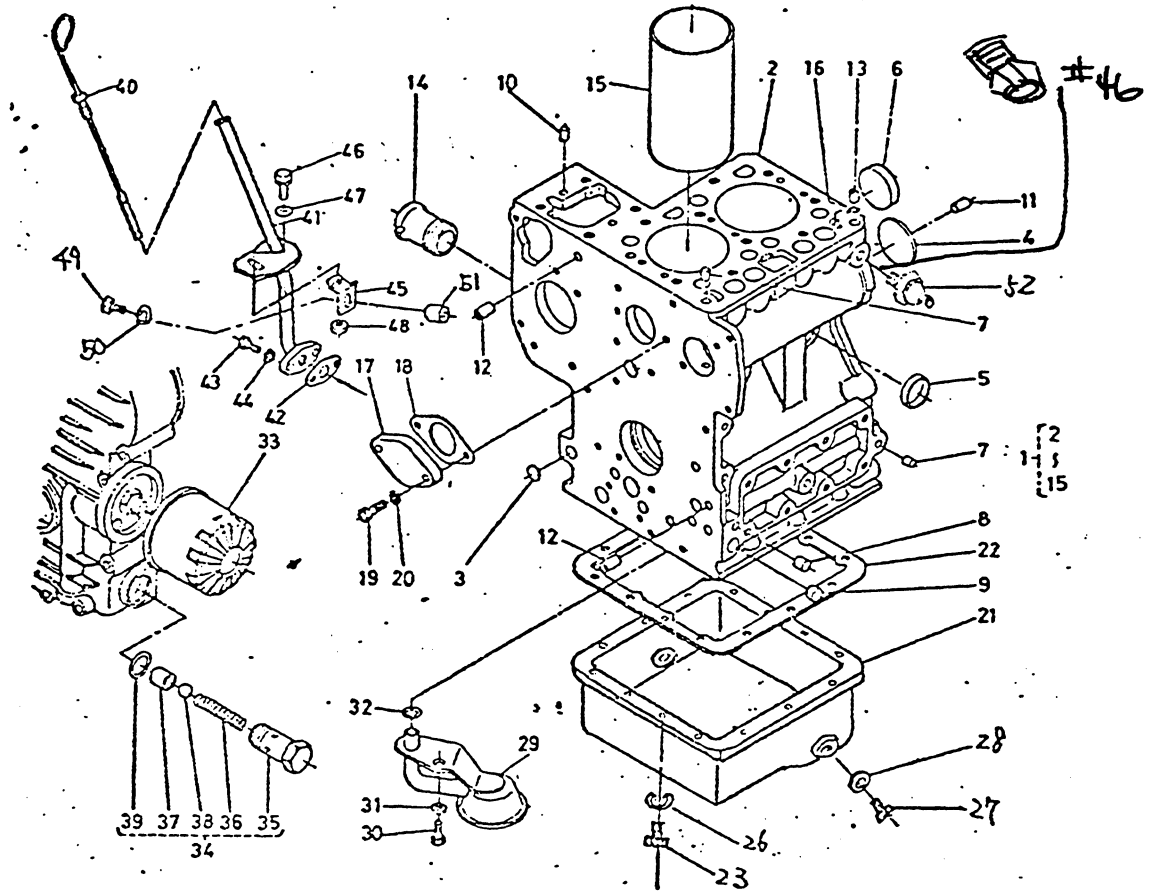
FROM SERIAL NO. 300072 TO



ITEM	PART NO.	DESCRIPTION	UNIT
1	299351	Assembly, Crankcase	1
2	N/A	Crankcase/order by No. 1	1
3	299352	Plug, Expansion	3
4	299353	Plug, Expansion	1
5	<del>299354</del>	Cap, Sealing. 299906	3
6	<del>299355</del>	Cap, Sealing. 299907	1
7	299356	Plug, Pin	5
8	299357	Plug, Pin	3
9	299358	Plug, Blind	1
10	299359	Pin, Straight	2
11	299360	Pin, Straight	2
12	N/A	Pin, Pipe	1
13	N/A	Pin, Pipe	2
14			
15	299361	Liner, Cylinder	2
16	299362	O Ring.	1
17	<del>299363</del>	Cover, Water(not Interchangeable w/299363.	1
18	299364	Gasket, Water Cover	1
19	299753	Bolt(must use w/299751)	2
20			
21	<del>299365</del>	Oil Pan 301151	1
22	299367	Gasket, Oil Pan	1
23	299368	Bolt.	14
24	299412	PIPE JOIN IT FOR FILTER	

301755

# CRANKCASE GROUP

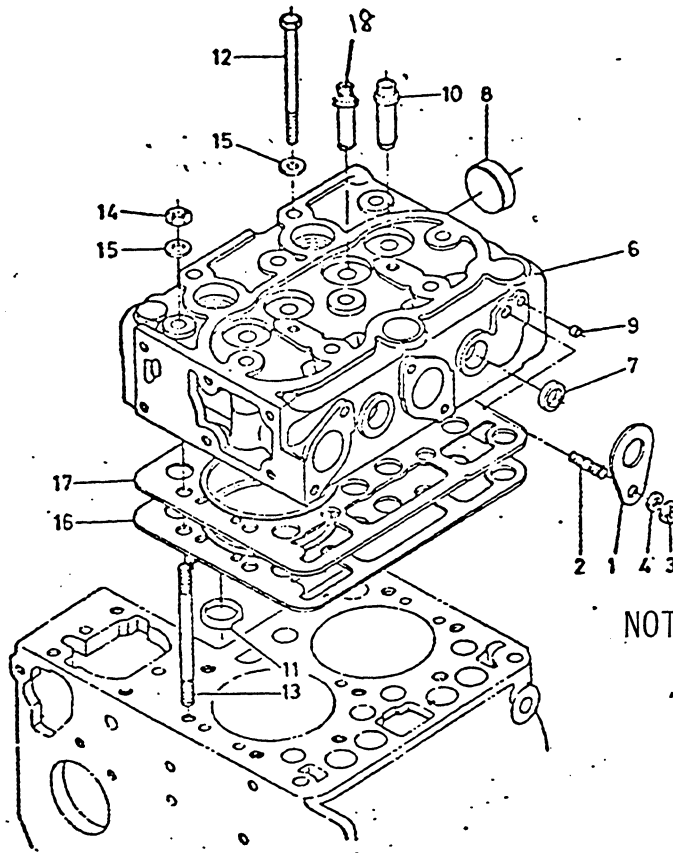


FROM SERIAL NO. 230248 TO 230416  
300000 300071

ITEM	PART NO.	DESCRIPTION	UNIT
25			
26	299369	Washer, Spring	14
27	299370	Plug	1
28	299371	Gasket	1
29	299372	Filter, Oil PUMP	1
30	N/A	Bolt	1
31	N/A	Washer, Spring	1
32	299373	O Ring	1
33	299381	Cartridge, Oil	1
34	299374	Relief Valve Assembly	1
35	299375	Body, Relief Valve	1
36	N/A	Spring	1
37	N/A	Seat, Valve	1
38	N/A	Ball	1
39	299376	O Ring	1
40	299377	Gauge, Oil (Dipstick)	1
41	299225	Dipstick Tube	1
42	299226	Dipstick Tube Gasket	1
43	299379	Bolt	2
44	299380	Washer, Spring	2
45			
46	299726	ADAPTOR, MM TO 1/8 NPT	
47			
48			



# CYLINDER HEAD GROUP



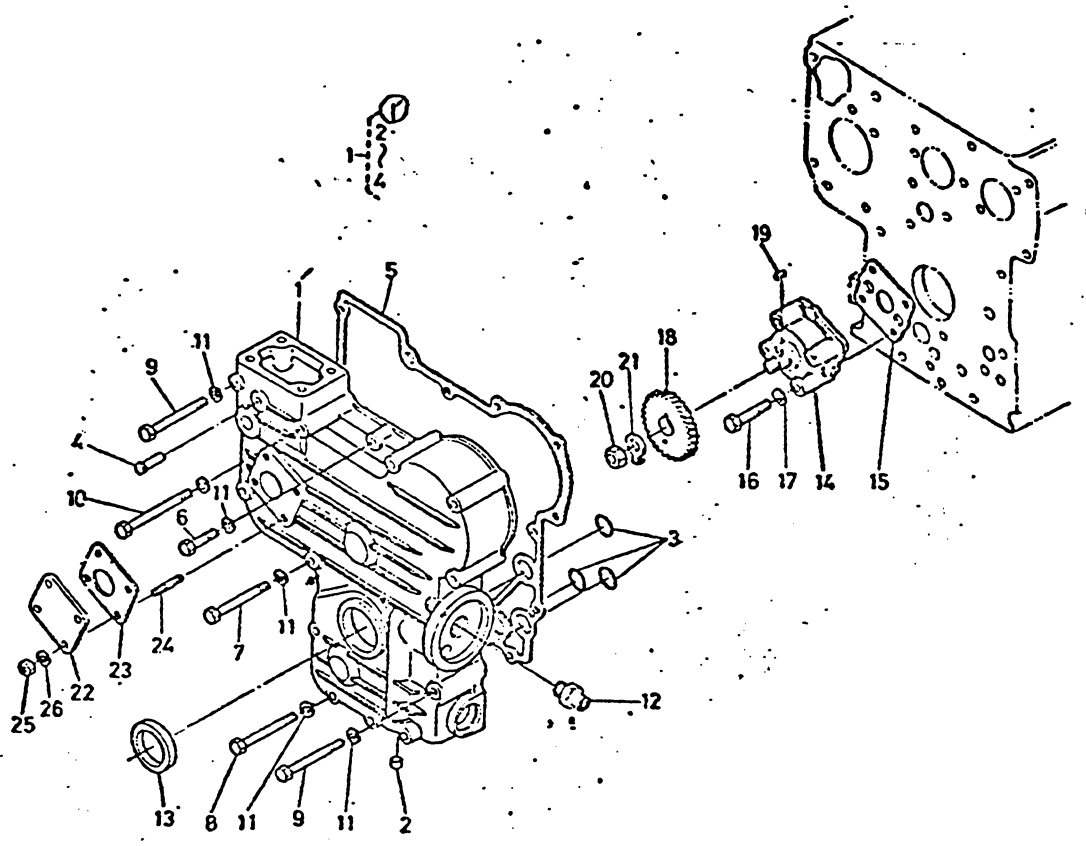
5  
6  
11  
18

NOTE: P/N 299382 CYLINDER HEAD ASSY  
CONSISTS OF ITEM #'S 6,7,8,9,10,11, 18

FROM SERIAL NO. 230248 TO 230416  
300000 300071

ITEM	PART NO.	DESCRIPTION	UNIT
1	N/A	Hook, Engine	2
2	N/A	Stud	2
3	N/A	Nut	2
4	N/A	Washer, Spring	2
5	299382	Assembly, Cylinder Head	1
6	N/A	Cylinder Head SFF #5	1
7	<del>299382</del>	Cap, Sealing 299905 18mm	3
8	<del>299382</del>	Cap, Sealing 299906 18mm	1
9	299385	Plug, Blind	2
10	299386	Guide, Valve	2
11	299387	Combustion Chamber	2
12	299388	Bolt, Cylinder Head	8
13	299389	Stud, Cylinder Head	2
14	299390	Nut, Cylinder Head	2
15	299391	Washer, Plain	10
16	299392	Gasket, Cylinder Head	1
17	299393	Shim, Cylinder Head Gasket	1
18	299394	Guide, Exhaust Valve	2
19			
20			
21			
22			
23			
24			

# GEAR CASE GROUP

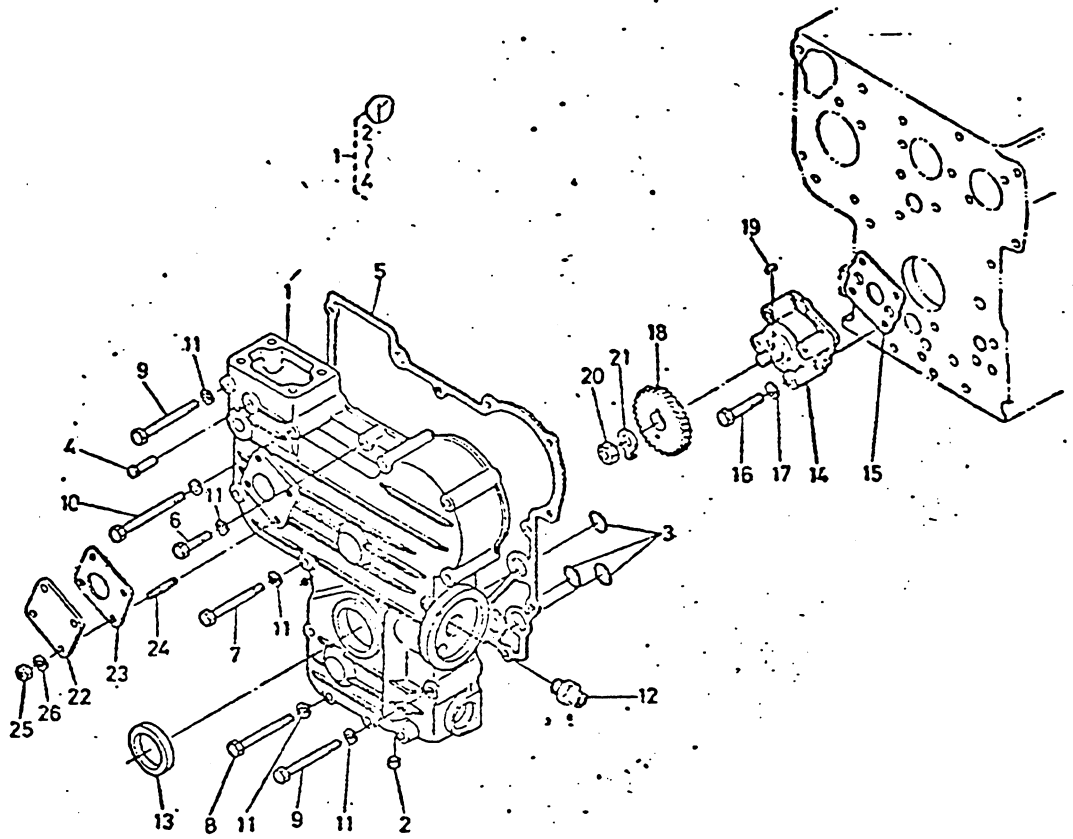


FROM SERIAL NO. 230248 TO 230416  
300000 300071

ITEM	PART NO.	DESCRIPTION	UNIT
1	299411	Assembly, Gear Case	1
2	299395	Plug, Pin	2
3	299396	O Ring	3
4	N/A	Pin, Start Spring	1
5	299397	Gasket, Gear Case	1
6	299398	Bolt	1
7	299399	Bolt	4
8	299400	Bolt	7
9	299401	Bolt	1
10	299402	Bolt	1
11	299403	Washer, Spring	14
12	299412	Pipe, Joint	1
13	299404	Seal, Oil	1
14	299405	Assembly, Oil Pump	1
15	299406	Gasket, Oil Pump	1
16	N/A	Bolt	4
17	N/A	Washer, Spring	4
18	299407	Gear, Oil Pump Drive	1
19	299408	Key, Feather	1
20	299409	Nut	1
21	299413	Washer, Claw	1
22	N/A	Cover	1
23	299410	Gasket	1
24	N/A	Stud	4



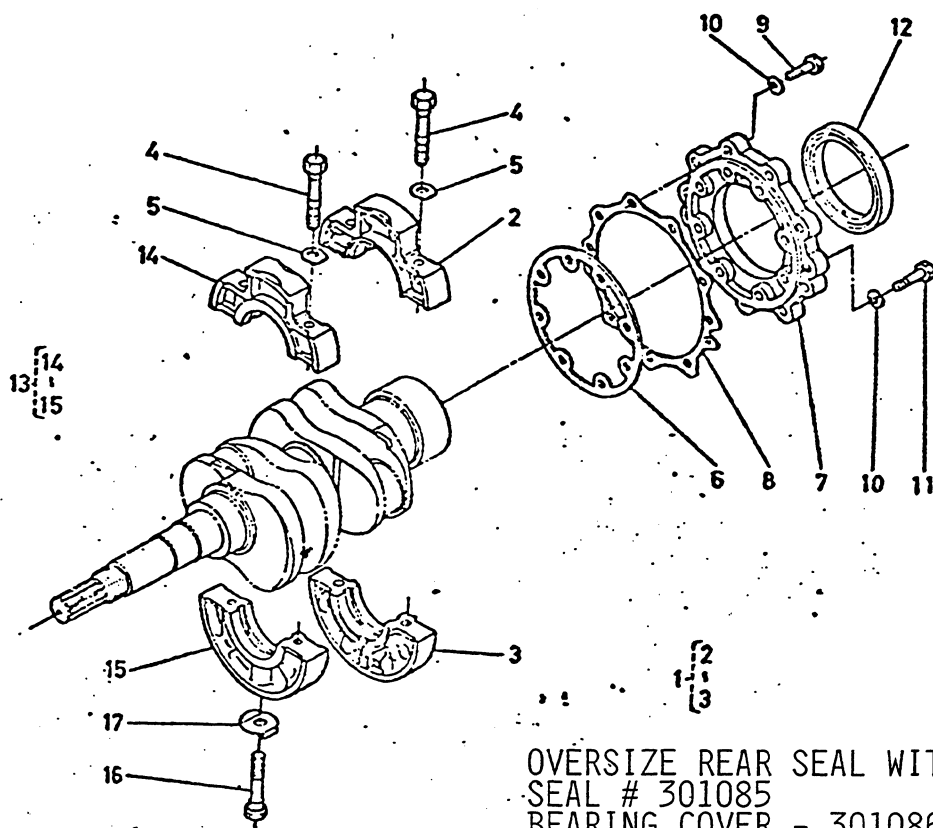
# GEAR CASE GROUP



FROM SERIAL NO. 230248 TO 230416  
300000 300071

ITEM	PART NO.	DESCRIPTION	UNIT
25	N/A	Nut	4
26	N/A	Washer, Spring	4
27			
28			
29			
30			
31			
32			
33			
34			
35			
36			
37			
38			
39			
40			
41			
42			
43			
44			
45			
46			
47			
48			

# BEARING CASE GROUP

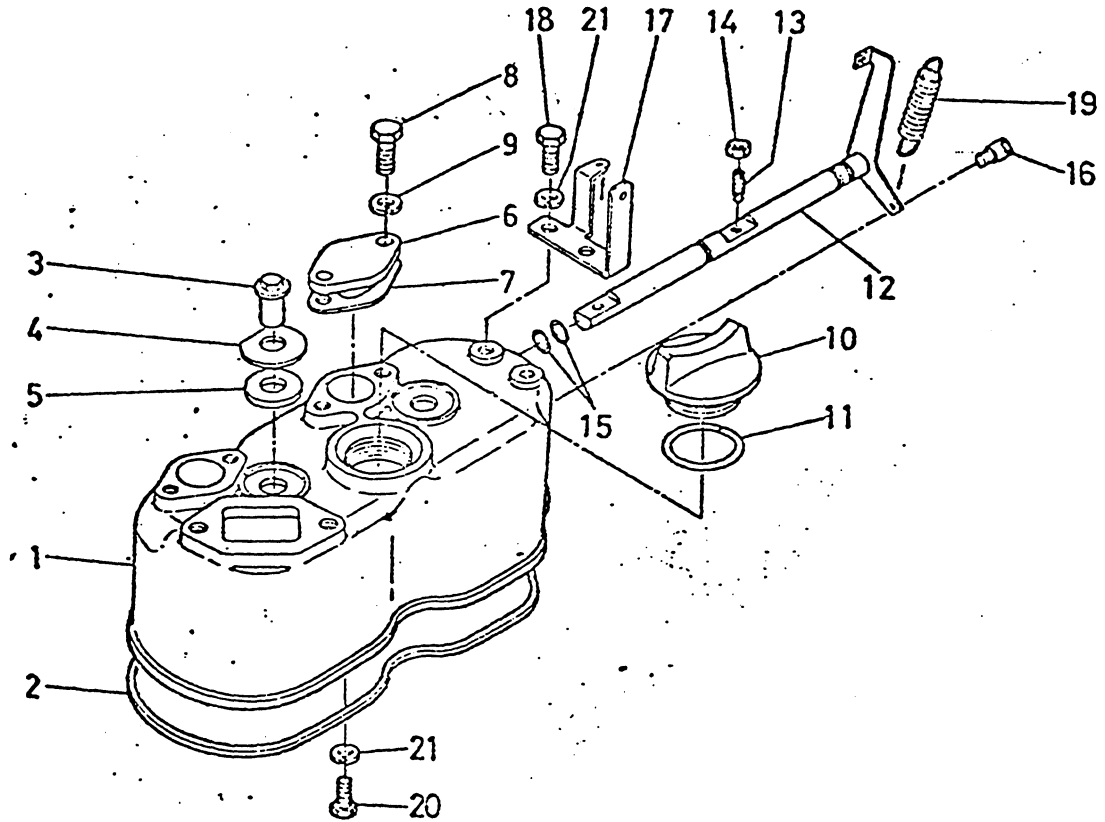


OVERSIZE REAR SEAL WITH CRANKWEAR RING  
 SEAL # 301085  
 BEARING COVER - 301086

FROM SERIAL NO. 230248 TO 230416  
300000 300071

ITEM	PART NO.	DESCRIPTION	UNIT
1	299414	Assembly Case, Main Bearing	1
2	N/A	Case, Main Bearing/order by Item #1	1
3	N/A	Case, Main Bearing/order by Item #1	1
4	299415	Bolt, Bearing Case	4
5	299416	Washer, Bearing Case	4
6	299417	Gasket, Bearing Case	1
7	XXXXXX	Cover, Bearing Case 300144	1
8	299418	Gasket, Bearing Case Cover	1
9	N/A	Bolt	9
10	N/A	Washer, Spring	17
11	N/A	Bolt	8
12	299419	Seal, Oil REAR	1
13	299420	Assembly Case, Main Bearing	1
14	N/A	Case, Main Bearing/order by Item #13	1
15	N/A	Case, Main Bearing/order by Item #13	1
16	N/A	Bolt, Bearing Case	1
17	299421	Washer, Bearing Case	1
18			
19			
20			
21			
22			
23			
24			

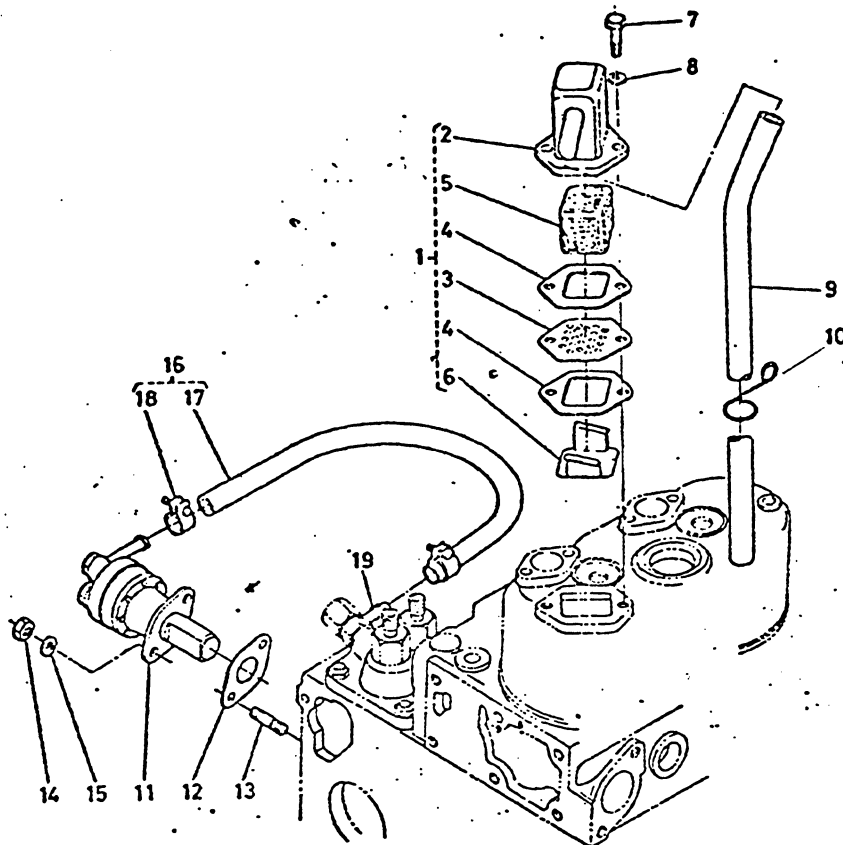
# HEAD COVER GROUP



FROM SERIAL NO. 230248  
300000 TO 230416  
300071

ITEM	PART NO.	DESCRIPTION	UNIT
1	299455	Cover, Cylinder Head	1
2	299456	Gasket, Head Cover	1
3	299457	Nut, Head Cover	2
4	299458	Washer, Head Cover	2
5	299459	Gasket, Nut	2
6	299460	Cover, Decompression Hole	2
7	299461	Gasket	2
8	299462	Bolt	4
9	299463	Washer, Spring	4
10	299464	Plug, Oil Filler	1
11	299465	O Ring	1
12	299466	Assembly Shaft, Decompression	1
13	299467	Bolt, Decompression	2
14	299468	Nut	2
15	299469	O Ring	2
16	N/A	Stopper, Decompression Shaft	1
17	299470	Holder, Decompression Wire	1
18	N/A	Bolt	2
19	299471	Spring, Decompression	1
20	N/A	Bolt	1
21	N/A	Washer, Spring	3
22			
23			
24			

# BREATHER GROUP

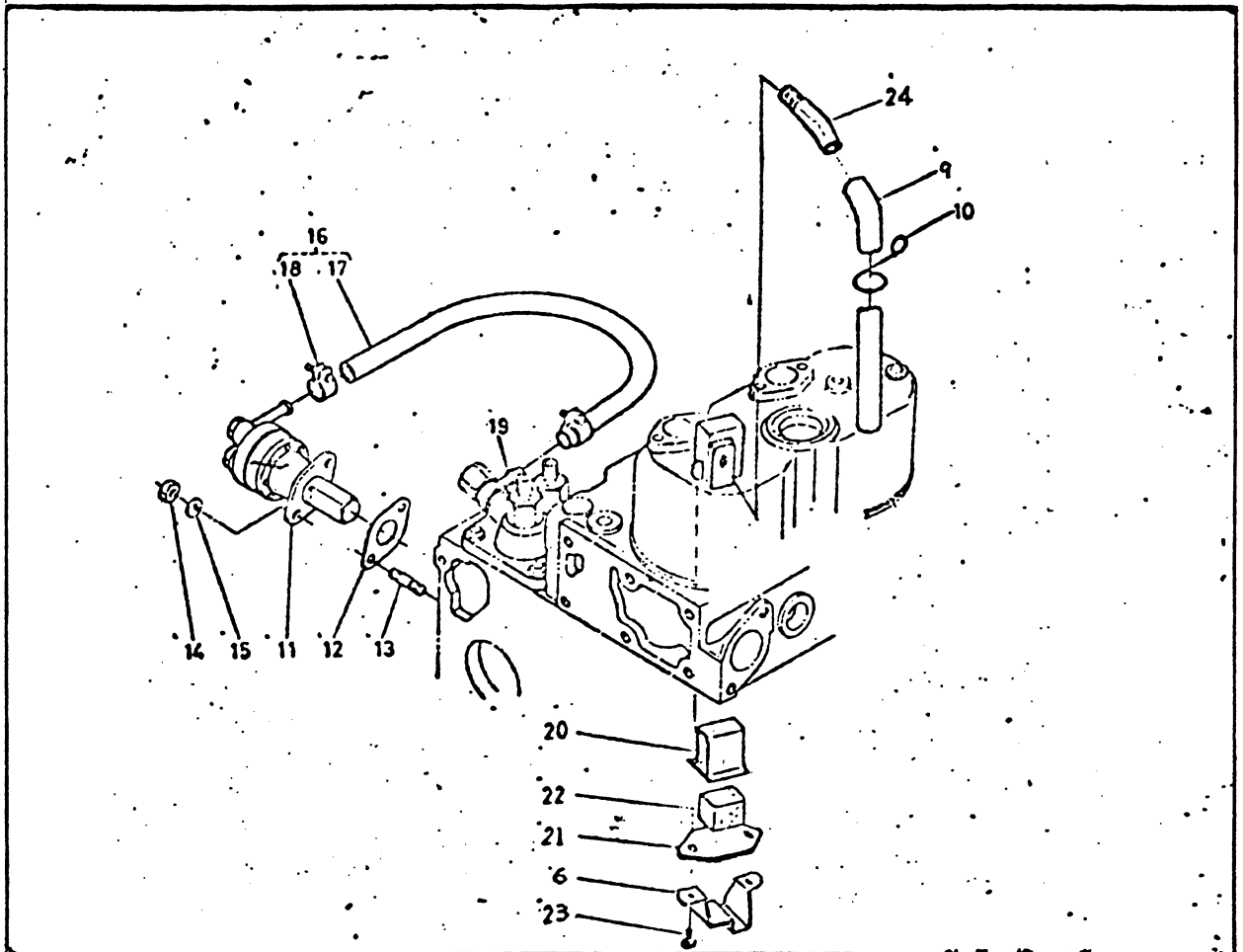


FROM SERIAL NO. 230248 TO 230416  
300000 300071

ITEM	PART NO.	DESCRIPTION	UNIT
1	299422	Assembly, Breather	1
2	N/A	Breather	1
3	N/A	Plate, Element	1
4	299423	Gasket, Cover	2
5	N/A	Element, Breather	1
6	N/A	Oil Shield, Breather	1
7	N/A	Bolt	2
8	N/A	Washer, Spring	2
9	299424	Pipe, Breather	1
10	N/A	Clamp, Pipe	1
11	299425	Assembly Pump, Fuel	1
12	299426	Gasket, Fuel Pump	1
13	N/A	Stud	1
14	N/A	Nut	1
15	N/A	Washer, Spring	1
16	299427	Assembly Pipe, Fuel	1
17	N/A	Pipe, Fuel	1
18	N/A	Clip, Pipe	2
19	299428	Joint, Eye	1
20	300528	FUEL RETURN BRACKET	
21	299831	HOSE, 3/16" I.D. X 3-1/2" LONG	
22			
23			
24			

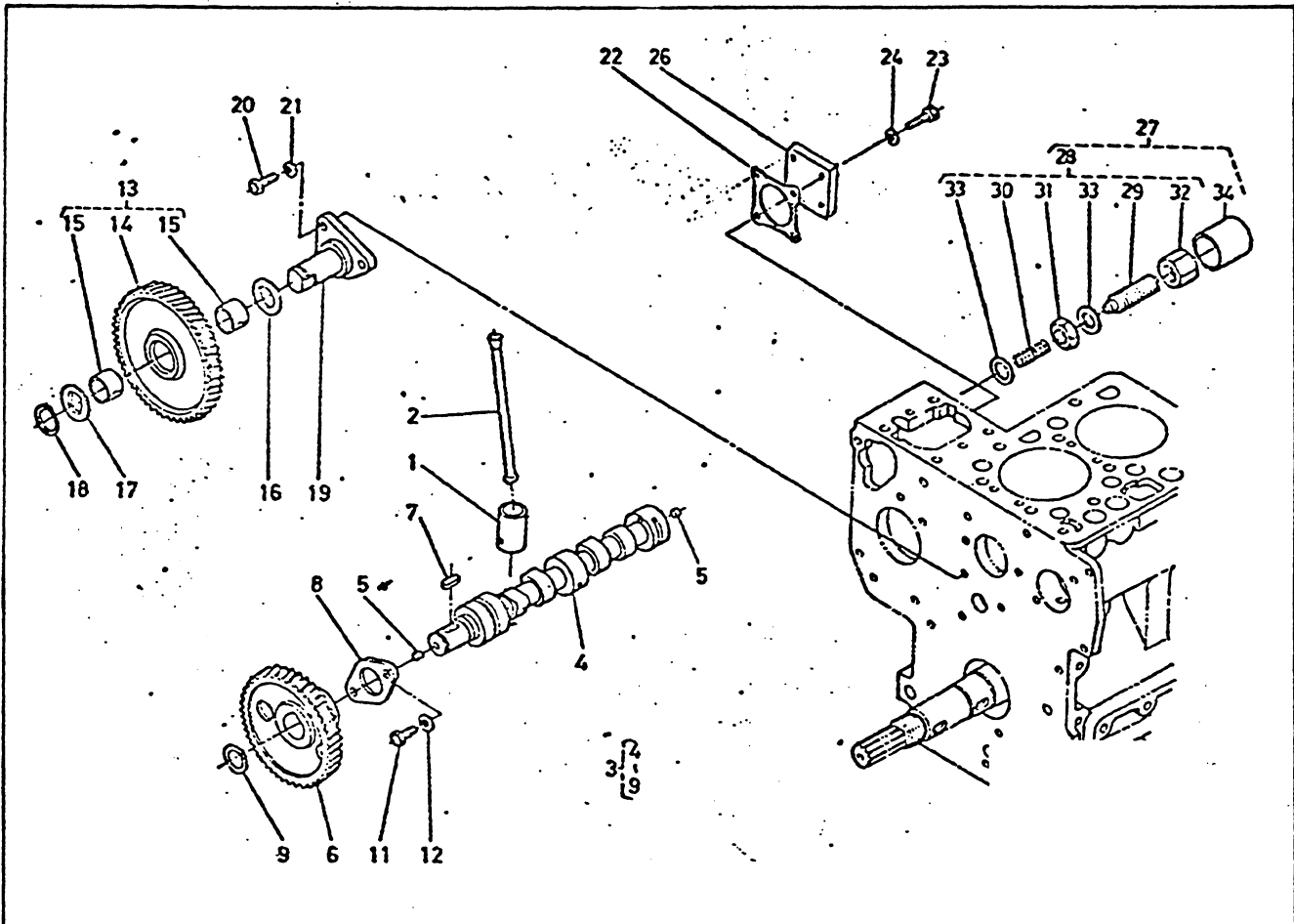
BREATHER GROUP

FROM SERIAL NO. 300072 TO



ITEM	PART NO.	DESCRIPTION	UNIT
1			
2			
3			
4			
5			
6	N/A	Oil Shield, Breather.	1
7			
8			
9	299424	Pipe, Breather.	1
10	N/A	Clamp, Pipe	1
11	299425	Assembly, Fuel Pump	1
12	299426	Gasket, Fuel Pump	1
13	N/A	Stud.	2
14	N/A	Nut	2
15	N/A	Washer, Spring	2
16	299427	Assembly, Pipe Fuel	1
17	N/A	Pipe, Fuel/order by no. 16	1
18	N/A	Clip, Pipe	2
19	299428	Joint, Eye	1
20	N/A	Plate 1, Element	1
21	N/A	Plate 2, Element	1
22	N/A	Element, Breather	1
23	N/A	Screw, With Washer	2
24	N/A	Joint, Breather Pipe	1

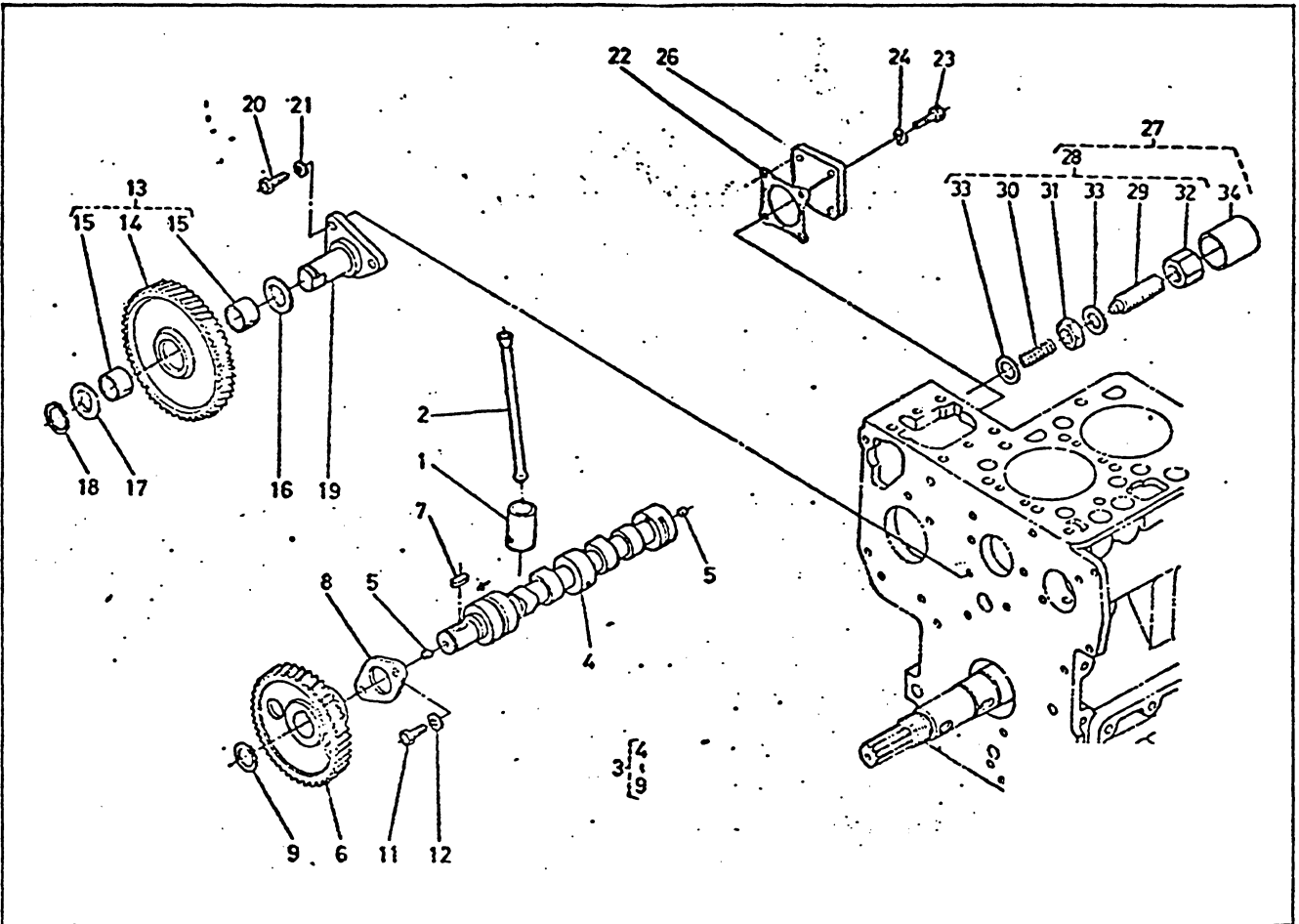
# CAMSHAFT GROUP



FROM SERIAL NO. 230248 TO 230416  
300000 300071

ITEM	PART NO.	DESCRIPTION	UNIT
1	299472	Tappet	4
2	299473	Rod, Push	4
3	299474	Camshaft Assembly	1
4	N/A	Camshaft	1
5	N/A	Plug, Blind	2
6	299475	Gear, Camshaft	1
7	299476	Key, Feather	1
8	299477	Stopper, Camshaft	1
9	N/A	Cir-Clip, External	1
10	N/A		
11	N/A	Bolt	2
12	N/A	Washer, Spring	2
13	299478	Idle Gear Assembly	1
14	N/A	Idle Gear	1
15	299479	Bushing, Idle Gear	2
16	299480	Collar 1, Idle Gear	1
17	299481	Collar 2, Idle Gear	1
18	299482	Cir-Clip, Idle Gear	1
19	299483	Shaft, Idle Gear	1
20	N/A	Bolt	3
21	N/A	Washer, Spring	3
22	299484	Gasket, O/P Pump	1
23	299485	Bolt	4
24	N/A	Washer, Spring	4

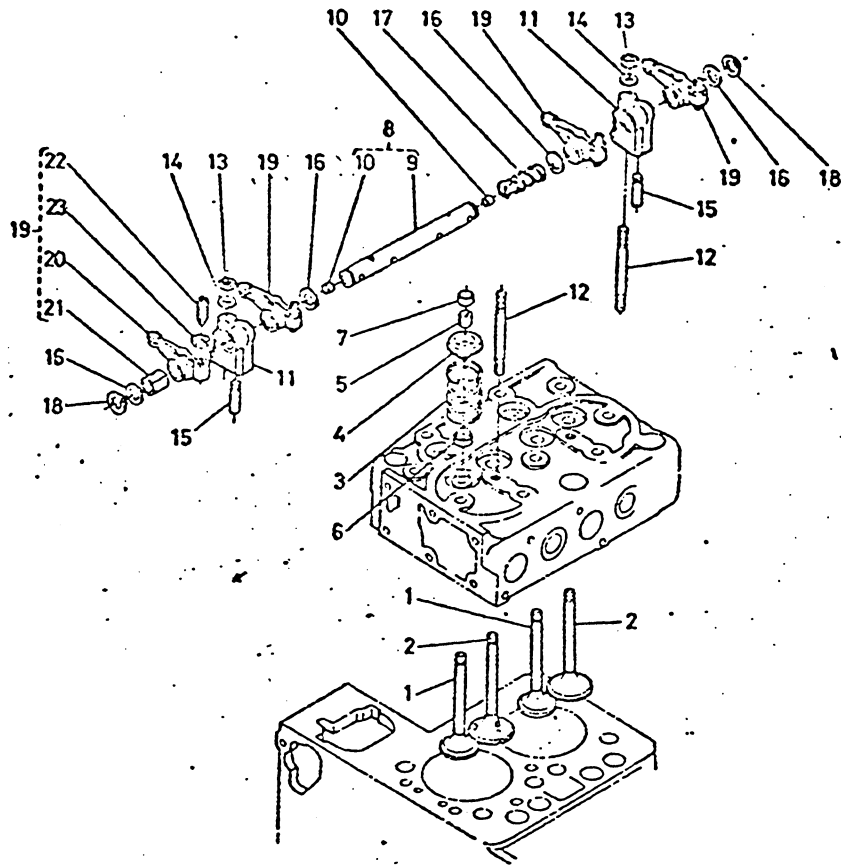
# CAMSHAFT GROUP



FROM SERIAL NO. 230248 TO 230416  
300000 300071

ITEM	PART NO.	DESCRIPTION	UNIT
25	N/A		
26	299486	Cover	1
27	N/A	Assembly Idling	1
28	N/A	Adjusting Bolt Assembly	1
29	N/A	Adjusting Bolt	1
30	N/A	Spring	1
31	N/A	Nut	1
32	N/A	Nut	1
33	N/A	Gasket	2
34	N/A	Cap	1
35			
36			
37			
38			
39			
40			
41			
42			
43			
44			
45			
46			
47			
48			

# VALVE, ROCKER ARM GROUP



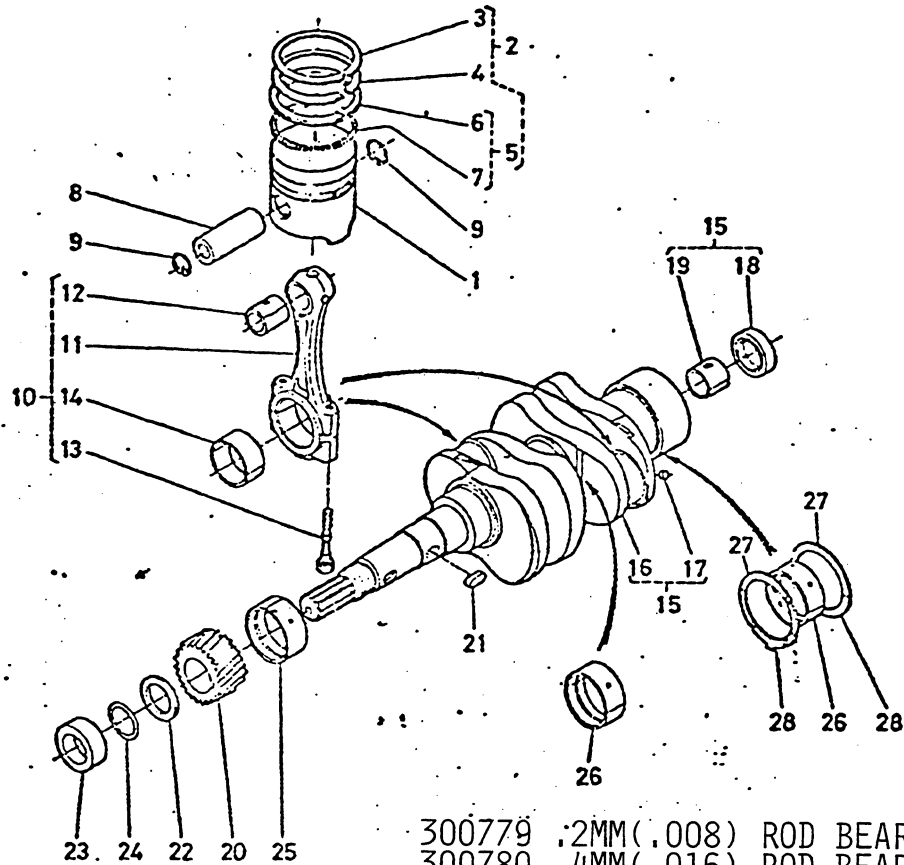
FROM SERIAL NO. 230248 TO 230416  
300000 TO 300071

ITEM	PART NO.	DESCRIPTION	UNIT
1	299436	Valve, Inlet	2
2	299437	Valve, Exhaust	2
3	299438	Spring, Valve	4
4	299439	Retainer, Valve Spring	4
5	299440	Collet, Valve Spring	8
6	299441	Seal, Valve Stem	4
7	299442	Cap, Valve	4
8	299443	Assembly Shaft, Rocker	1
9	N/A	Rocker Arm Shaft	1
10	N/A	Set Screw	2
11	299444	Bracket, Rocker Arm	2
12	299445	Stud	2
13	299446	Nut	2
14	N/A	Washer Plain	2
15	299447	Set Screw	1
16	299448	Washer	4
17	299449	Spring, Rocker Arm	1
18	299450	Cir-Clip, External	2
19	299451	Rocker Arm Assembly	4
20	N/A	Rocker Arm	4
21	299452	Bushing, Rocker Arm	4
22	299453	Screw, Adjusting	4
23	299454	Nut	4
24			



# PISTON, CRANKSHAFT GROUP

Serial No. Prior to 300072



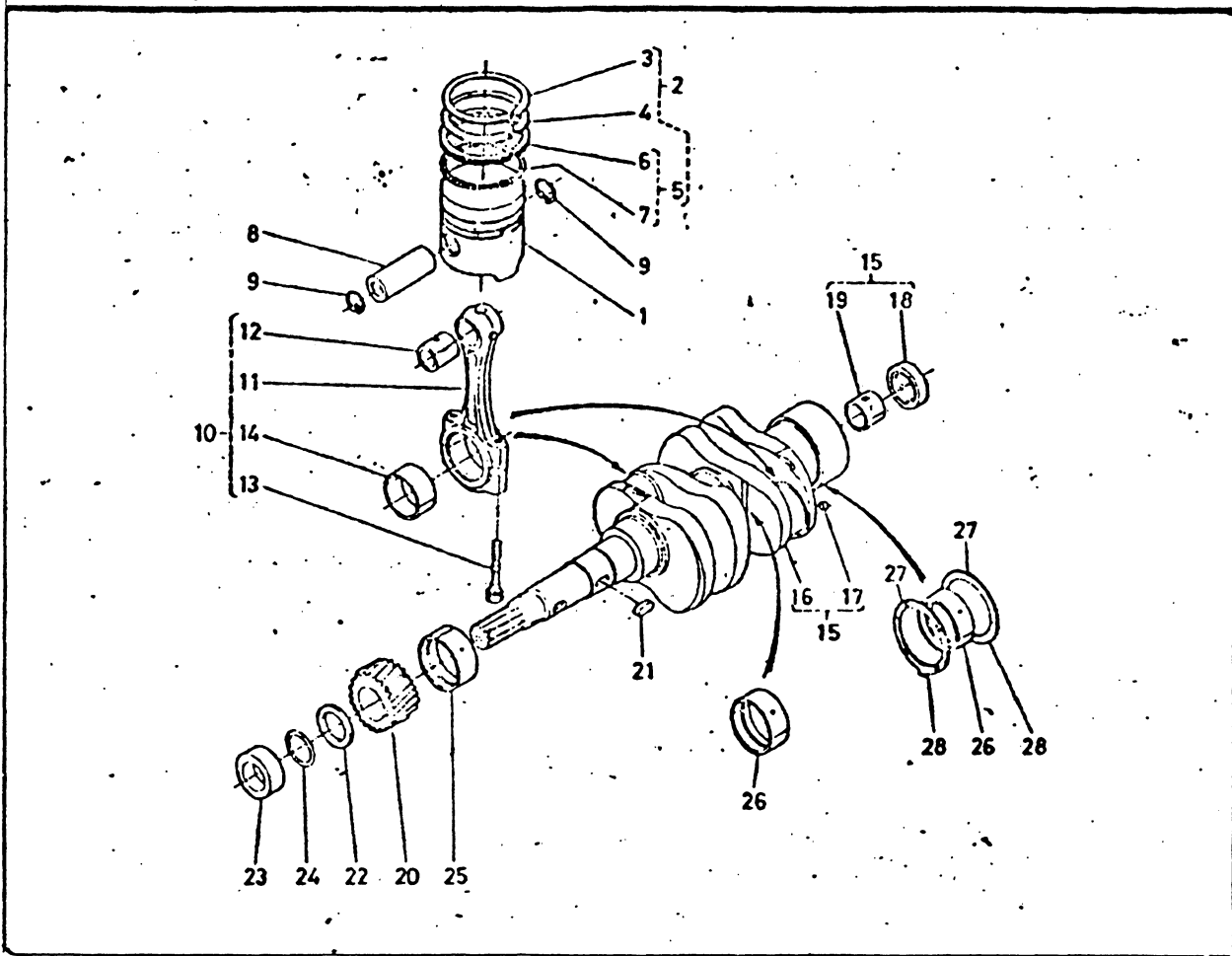
300779 .2MM(.008) ROD BEARING - 2  
 300780 .4MM(.016) ROD BEARING - 2

FROM SERIAL NO. 230248 TO 230416  
 300000 TO 300071

ITEM	PART NO.	DESCRIPTION	UNIT
1	299487	Piston	2
2	299488	Assembly, Piston Ring	2
3	N/A	Compression Ring	2
4	N/A	Compression Ring	2
5	N/A	Oil Plug Assembly	2
6	N/A	Oil Ring	2
7	N/A	Expander, Oil Ring	2
8	299489	Piston Pin	2
9	299490	Cir-Clip, Piston Pin	4
10	299491	Connecting Rod Assembly	2
11	N/A	Connecting Rod	2
12	299492	Bushing, Piston Pin	2
13	299493	Bolt, Connecting Rod	4
14	299494	Connecting Rod Bearing 4 HALVES (P/PKG)	X/2
15	299495	Crankshaft Assembly	1
16	N/A	Crankshaft	1
17	N/A	Plug, Pin	2
18	XXXXXXX	Seal, Oil 299949	1
19	XXXXXXX	Bearing 299950	1
20	N/A	Gear, Crankshaft	1
21	299496	Key, Feather	1
22	N/A	Oil Slinger	1
23	299498	Collar Crankshaft	1
24	299499	O Ring	1

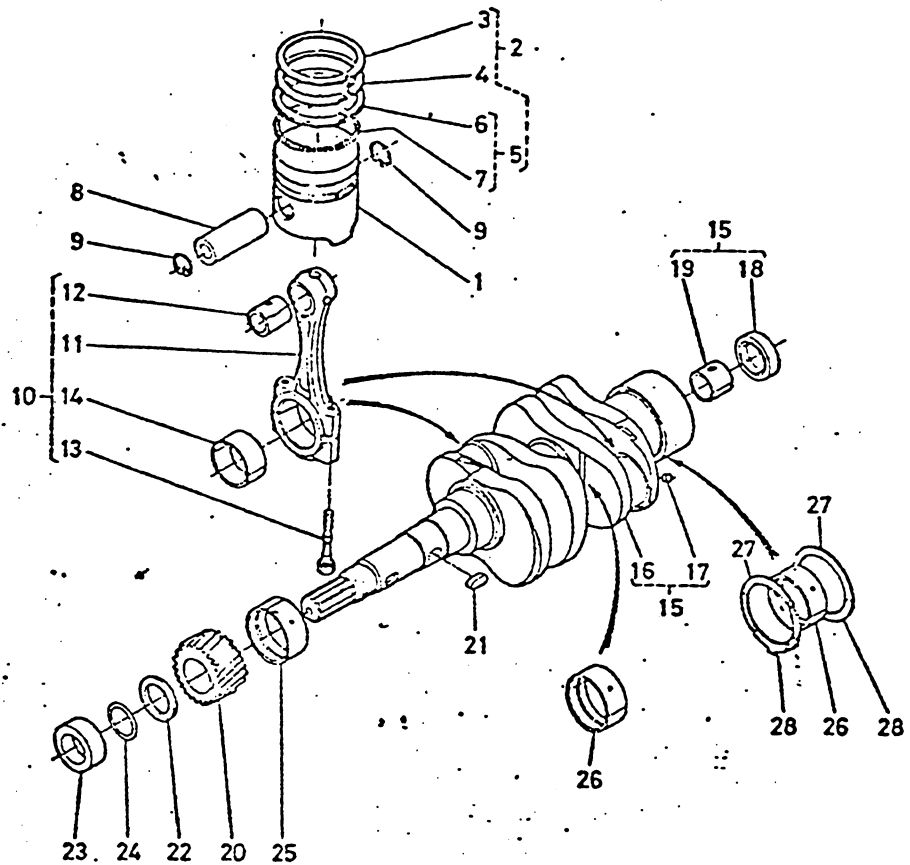
PISTON, CRANKSHAFT GROUP

FROM SERIAL NO. 300072 TO



ITEM	PART NO.	DESCRIPTION	UNIT
1	299487	Piston	2
2	299488	Assembly, Piston Ring	2
3	N/A	Compression Ring	2
4	N/A	Compression Ring	2
5	N/A	Assembly, Oil Ring	2
6	N/A	Oil Ring	2
7	N/A	Expander, Oil Ring	2
8	299489	Piston Pin	2
9	299490	Cir-Clip, Piston Pin	4
10	299491	Assembly, Connecting Rod	2
11	N/A	Connecting Rod/order by no. 10	2
12	299492	Bushing, Piston Pin	2
13	299493	Bolt, Connecting Rod	4
14	299494	Bearing, Connecting Rod	4
15	299495	Assembly, Crankshaft	1
16	N/A	Crankshaft/order by no. 15	1
17	N/A	Plug, Pin	2
18	N/A	Seal, Oil	1
19	N/A	Bearing	1
20	N/A	Gear, Crankshaft	1
21	299496	Key, Feather	1
22	N/A	Oil Slinger	1
23	299498	Collar Crankshaft	1

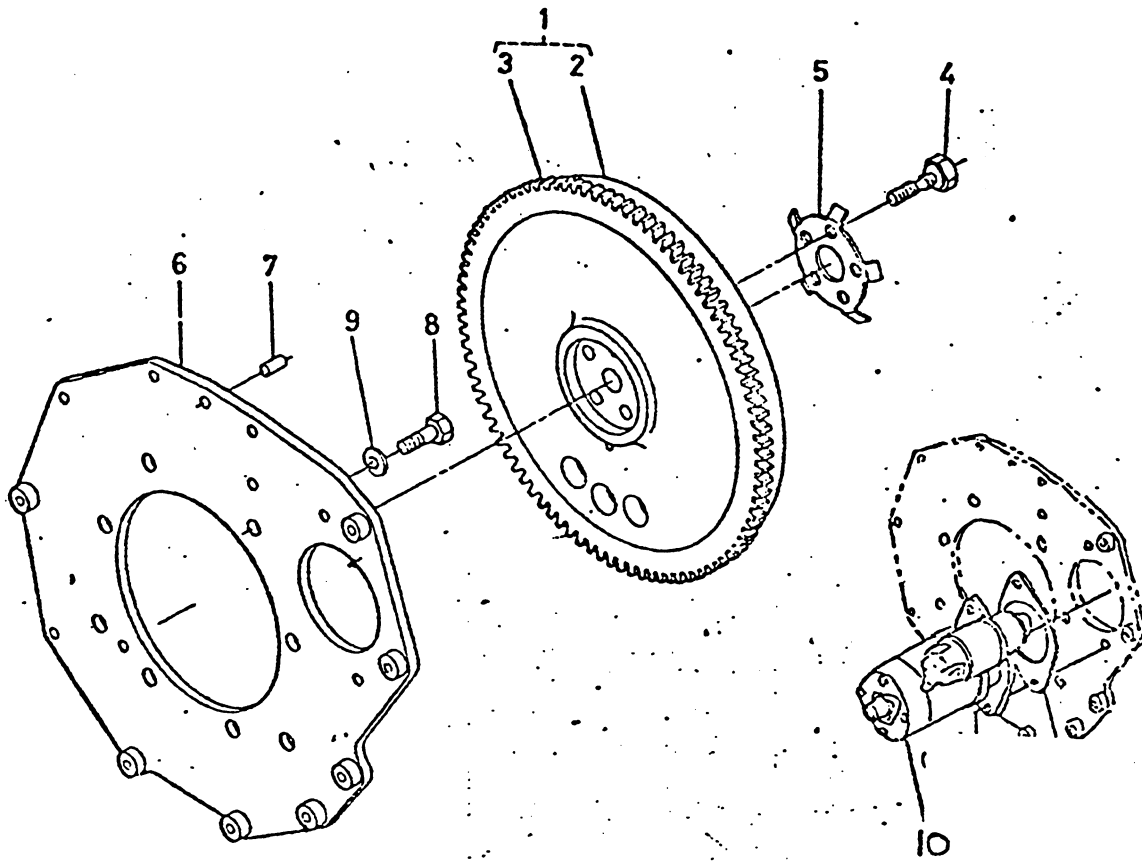
# PISTON, CRANKSHAFT GROUP



FROM SERIAL NO. 230248 TO 230416  
300000 TO 300071

ITEM	PART NO.	DESCRIPTION	UNIT	
	25	299500	Bearing, Crankshaft	1
	26	299501	Bearing, Crankshaft	4
	27	299502	Bearing, Side	2
	28	299503	Bearing, Side	2
	29			
	30			
	31			
	32			
	33			
	34			
	35			
	36			
	37			
	38			
	39			
25	<del>40</del>	300752	.2MM UNDERSIZE	1
25	<del>41</del>	300753	.4MM " "	1
26	<del>42</del>	300754	.2MM " "	2
26	<del>43</del>	300755	.4MM " "	2
	44			
1	<del>45</del>	301835	.5MM OVERSIZE	2
2	<del>46</del>	301836	.5MM OVERSIZE RINGS (SFT)	2
	47			
	48			

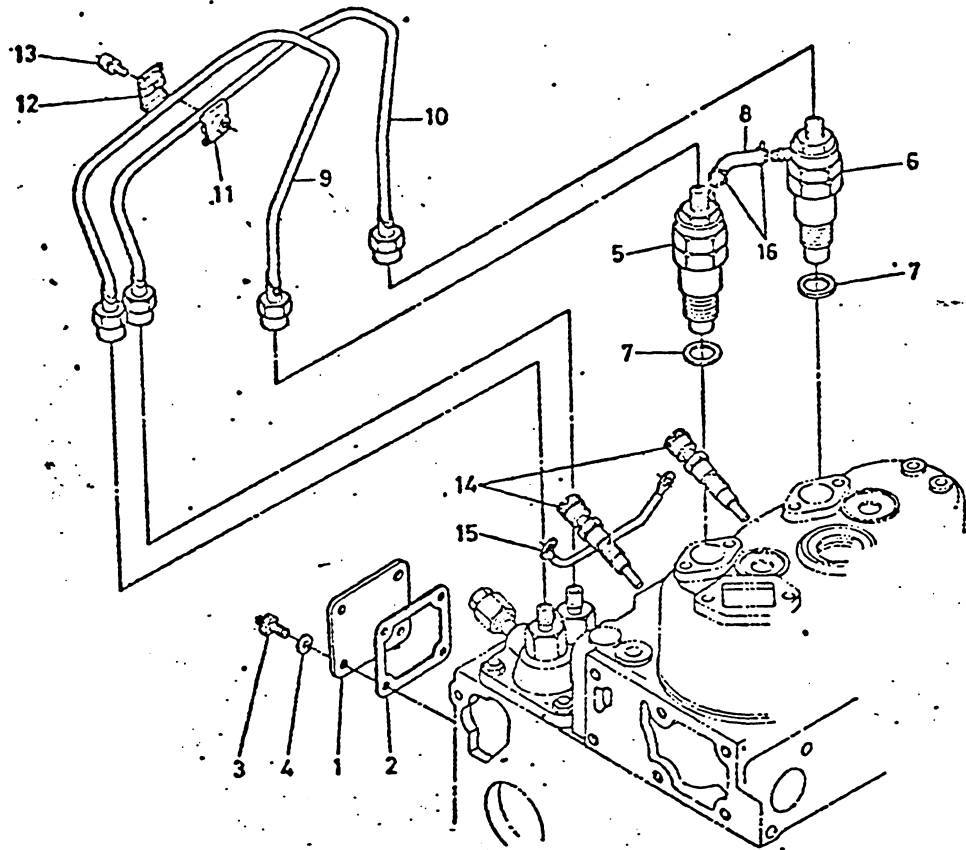
# FLYWHEEL GROUP



FROM SERIAL NO. 230248 TO 230416  
300000 300071

ITEM	PART NO.	DESCRIPTION	UNIT
1	299504	Assembly, Flywheel	1
2	N/A	Flywheel	1
3	299505	Ring Gear	1
4	299506	Bolt, Flywheel	5
5	299507	Washer, Flywheel	1
6	299508	Plate, Rear End	1
7	299509	Pin, Straight	1
8	299510	Bolt	8
9	299511	Washer, Spring	8
10	299512	Starter Assembly	1
11	299513	Gasket	1
12	299514	Bolt	2
13	299515	Washer, Spring	2
14			
15			
16			
17			
18			
19			
20			
21			
22			
23			
24			

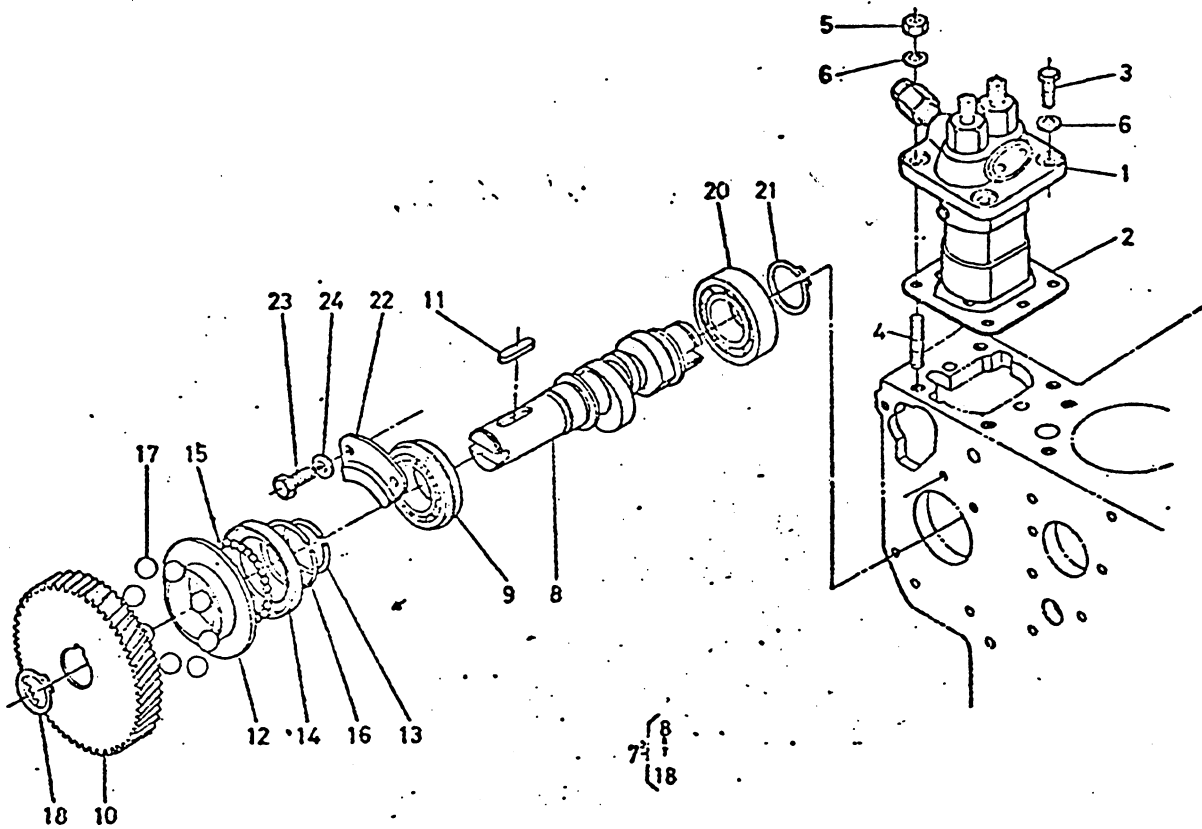
# NOZZLE HOLDER GROUP



FROM SERIAL NO. 230248 TO 230416  
300000 300071

ITEM	PART NO.	DESCRIPTION	UNIT
1	N/A	Cover, Injection Pump	1
2	299516	Gasket, Breather	1
3	N/A	Bolt	4
4	N/A	Washer, Spring	4
5	<del>XXXXXX</del>	Nozzle Holder Assembly 298787	1
6	<del>XXXXXX</del>	Nozzle Holder Assembly 298788	1
7	299519	Gasket	2
8	299520	Pipe, Fuel Over Flow	1
9	299521	Pipe, Injection	1
10	299522	Pipe, Injection	1
11	N/A	Clamp, Pipe	1
12	N/A	Clamp, Pipe	1
13	N/A	Screw With Washer	1
14	299685	Glow Plug	2
15	299523	Cord, Glow Plug	1
16	299524	Clip, Pipe	2
17			
18			
19			
20			
21			
22			
23			
24			

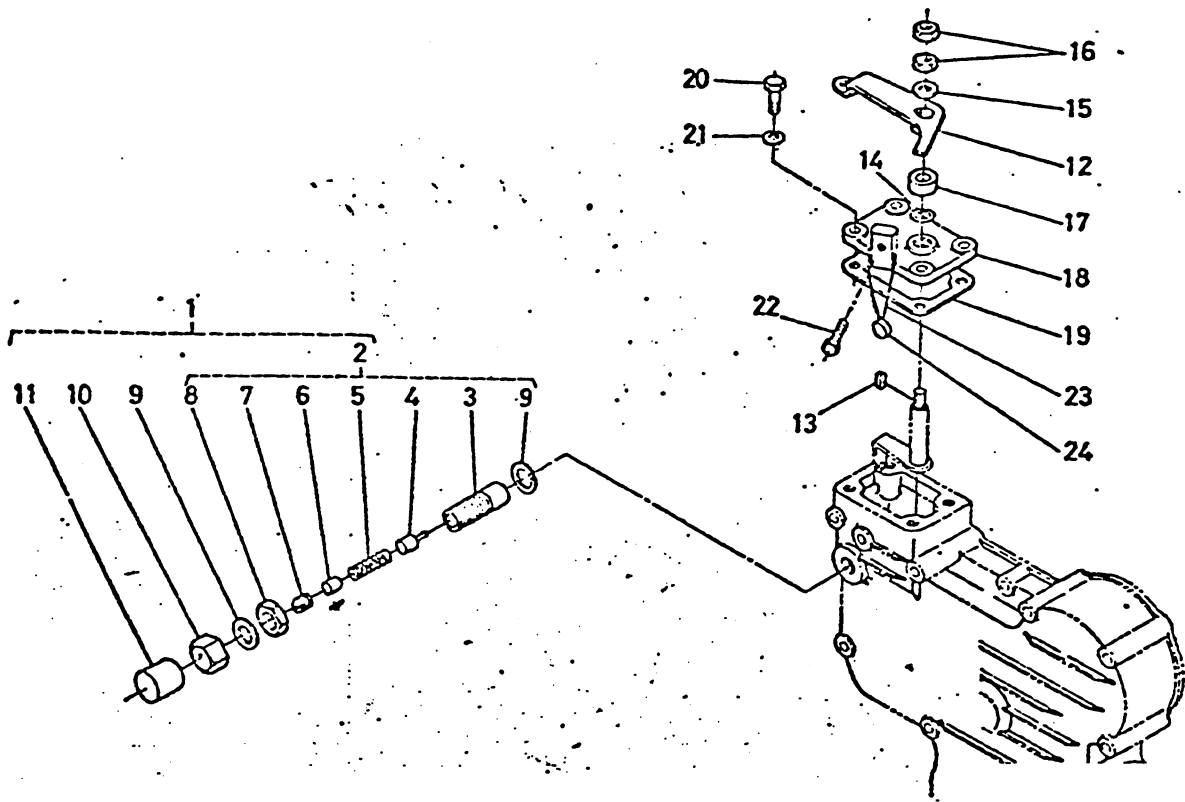
# FUEL CAMSHAFT GROUP



FROM SERIAL NO. 230248 TO 230416  
300000 300071

ITEM	PART NO.	DESCRIPTION	UNIT
1	299525	Assembly Pump, Injection	1
2	299526	Shim, Injection	5
3	299527	Bolt	2
4	299528	Stud	2
5	299529	Nut	2
6	N/A	Washer, Spring	2
7	299530	Fuel Camshaft Assembly	1
8	N/A	Fuel Camshaft	1
9	<del>N/A</del> XXXX	Bearing, Ball 300195	1
10	N/A	Gear, Injection Pump	1
11	299531	Key, Feather	1
12	N/A	Sleeve, Governor	1
13	N/A	Cir-Clip, Sleeve	1
14	299532	Case, Governor Ball	1
15	299533	Ball	30
16	N/A	Cir-Clip, Case	1
17	299534	Ball	8
18	299535	Cir-Clip, External	1
19			
20	299536	Bearing, Ball	1
21	299537	Cir-Clip, External	1
22	N/A	Stopper, Camshaft	1
23	N/A	Bolt	2
24	N/A	Washer, Spring	2

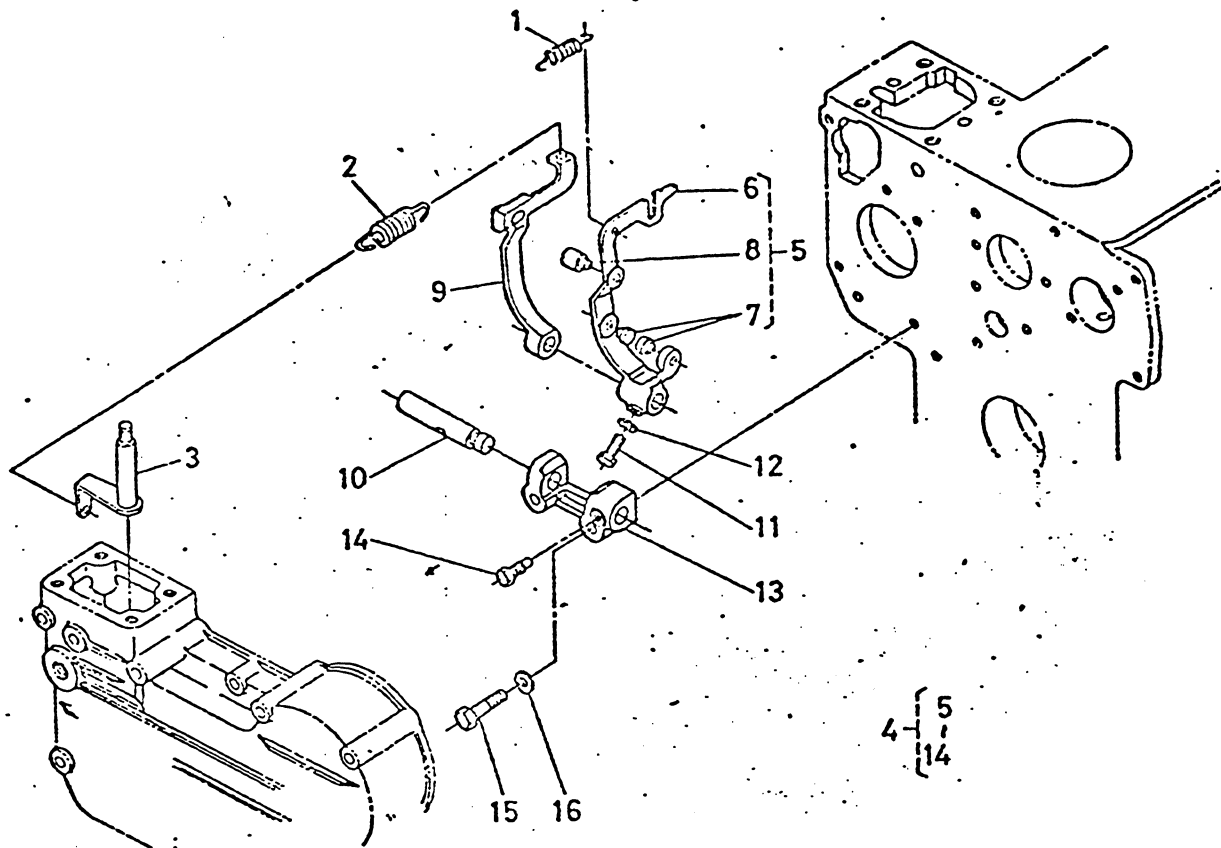
# SPEED CONTROL PLATE GROUP



FROM SERIAL NO. 230248 TO 230416  
300000 300071

ITEM	PART NO.	DESCRIPTION	UNIT
1	299538	Assembly Apparatus, Fuel	1
2	N/A	Fuel Assembly Apparatus	1
3	N/A	Body, Fuel Apparatus	1
4	N/A	Pin, Fuel Apparatus	1
5	N/A	Spring	1
6	N/A	Spacer	1
7	N/A	Set Screw	1
8	N/A	Nut, Lock	1
9	N/A	Gasket	2
10	N/A	Nut, Cap	1
11	N/A	Cap	1
12	299539	Lever, Speed Control	1
13	299540	Key, Feather	1
14	<del>299541</del>	O Ring 299541	1
15	299542	Washer, Plain	1
16	299543	Nut	2
17	<del>299544</del>	Plate, Friction 299544	1
18	N/A	Plate, Speed Control	1
19	299545	Gasket, Control Plate	1
20	N/A	Bolt	4
21	N/A	Washer, Spring	4
22	N/A	Stopper	1
23	299546	Wire	1
24	299547	Lead, Sealing	1

# GOVERNOR GROUP

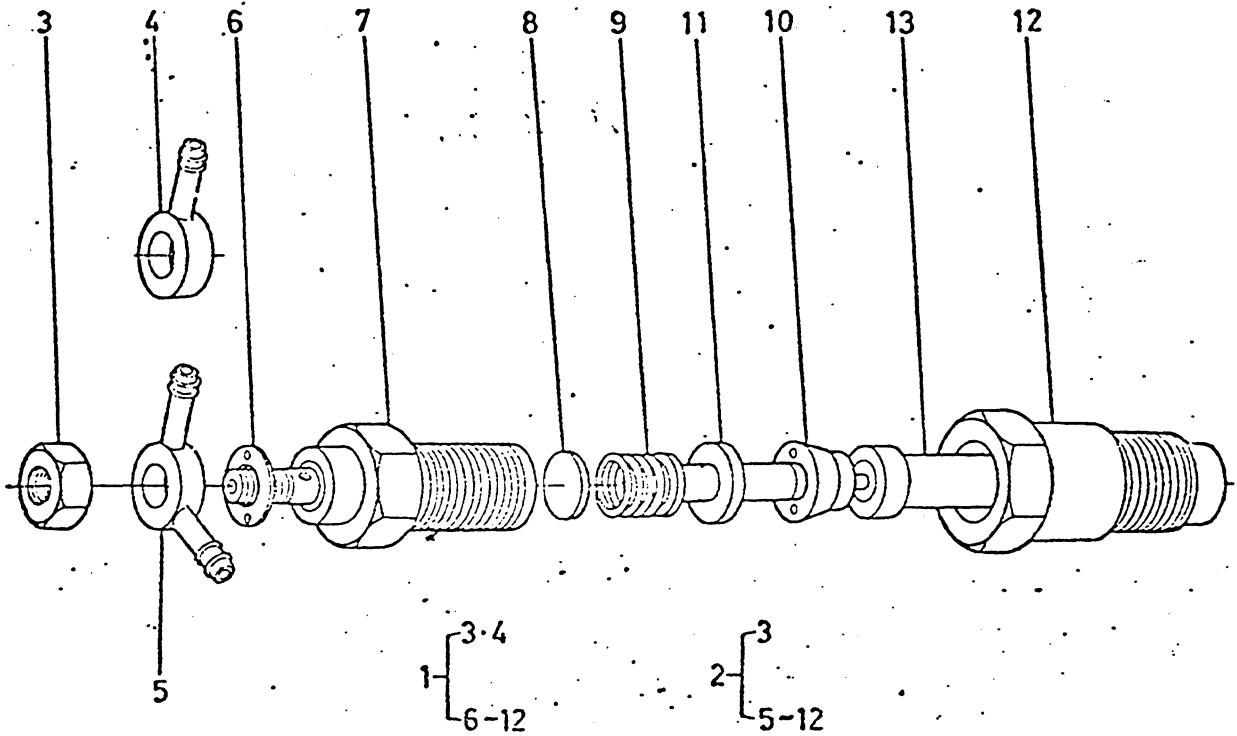


FROM SERIAL NO. 230248 TO 230416  
300000 300071

ITEM	PART NO.	DESCRIPTION	UNIT
XX	N/A	Spring, Start 298828	1
XX	N/A	Spring 301356	1
XX	N/A	Governor Lever Assembly 300691	1
4	N/A	Fork Lever Assembly	1
5	N/A	Fork Lever Assembly	1
6	N/A	Fork Lever	1
7	N/A	Pin, Fork Lever	2
8	N/A	Pin, Fork Lever	1
9	N/A	Fork Lever	1
10	N/A	Shaft, Fork Lever	1
11	N/A	Bolt	1
12	N/A	Washer, Spring	2
13	N/A	Fork Lever Holder	1
14	N/A	Bolt	1
15	N/A	Bolt	2
16	N/A	Washer, Spring	2
17			
18			
19			
20			
21			
22			
23			
24			



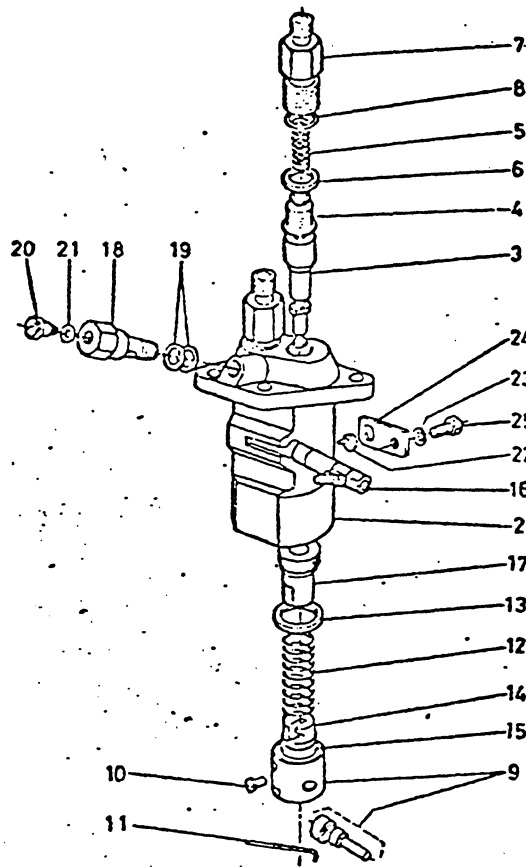
# NOZZLE GROUP



FROM SERIAL NO. 230248 TO 230416  
300000 300071

ITEM	PART NO.	DESCRIPTION	UNIT
1	<del>XXXX</del>	Nozzle Holder Assembly 299787	1
2	<del>XXXX</del>	Nozzle Holder Assembly 299788	1
3	N/A	Nut	1
4	N/A	Joint, Eye	1
5	N/A	Joint, Eye	1
6	<del>XXXXXX</del>	Washer, Plain 301137	1
7	N/A	Nozzle Holder Body	1
8	N/A	Washer, Adjusting	1
9	N/A	Spring, Nozzle	1
10	N/A	Piece, Distance	1
11	N/A	Rod, Push	1
12	N/A	Nut, Nozzle	1
13	N/A	Piece, Nozzle	1
14			
15			
16			
17			
18			
19			
20			
21			
22			
23			
24			

# INJECTION PUMP GROUP

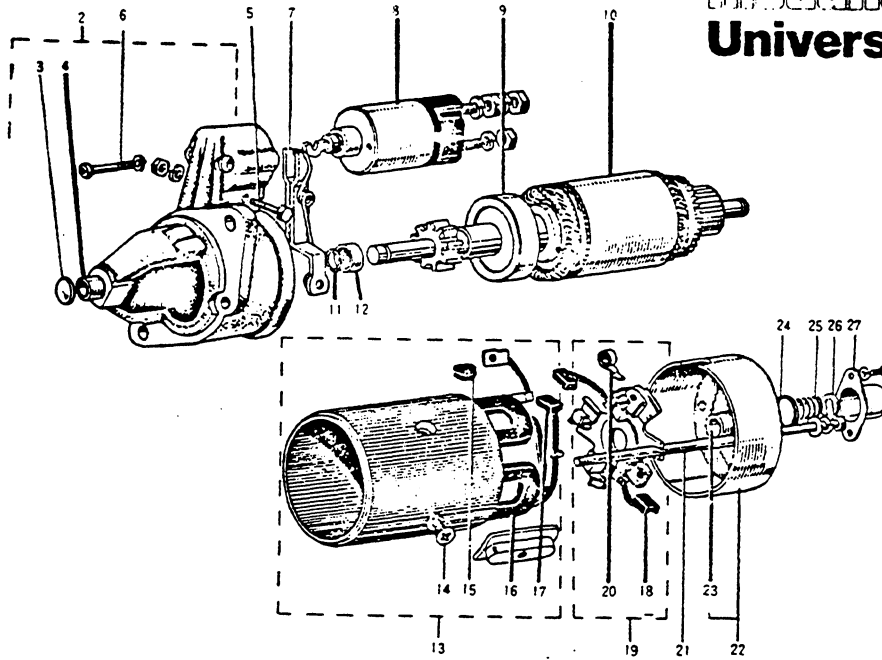


FROM SERIAL NO. 230248 TO 230416  
300000 300071

ITEM	PART NO.	DESCRIPTION	UNIT
1	299525	Injection Pump Assembly	1
2	N/A	Housing, Pump	1
3	N/A	Element, Pump	2
4	N/A	Valve, Delivery	2
5	N/A	Spring, Delivery Valve	2
6	N/A	Gasket, Delivery Valve	2
7	N/A	Holder, Delivery Valve	2
8	N/A	O Ring	2
9	N/A	Tappet Assembly	2
10	N/A	Pin, Tappet Guide	2
11	N/A	Pin, Clamp	2
12	N/A	Spring, Plunger	2
13	N/A	Seat, Spring Upper	2
14	N/A	Seat, Spring Under	2
15	N/A	Shim	1
16	N/A	Rack, Control	1
17	N/A	Sleeve, Control	2
18	<del>XXXXXXX</del>	Screw 301163	1
19	<del>XXXXXXX</del>	Gasket 299873	2
20	299748	Screw, Air Bleeder	1
21	299749	Gasket	1
22	N/A	Collar	1
23	N/A	Washer, Spring	1
24	N/A	Plate, Adjust	1
25	N/A	Bolt, Plate Adjust	1

# STARTER GROUP

**medalist**  
**Universal Motors**

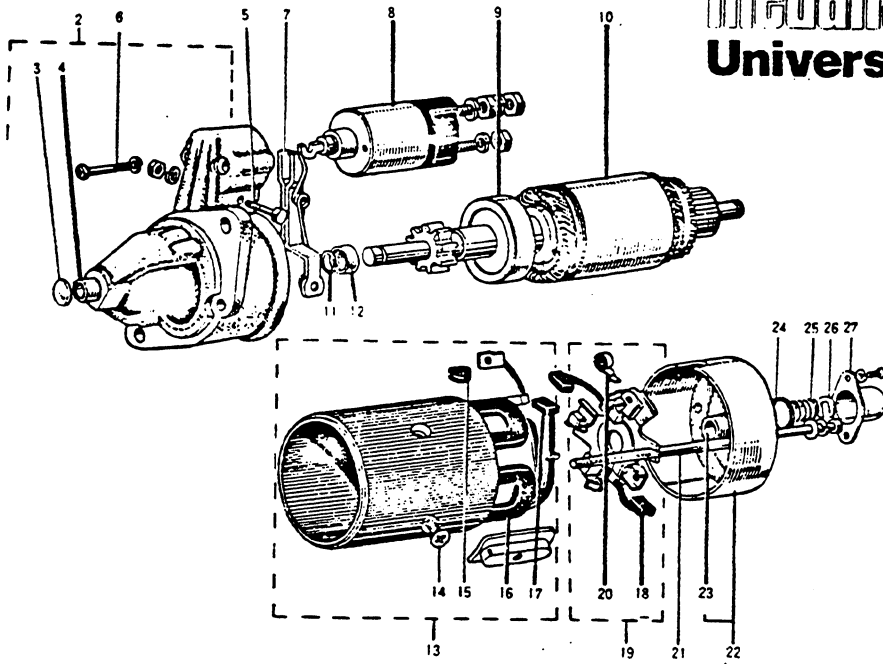


FROM SERIAL NO. 230248 TO 230416  
300000 300071

ITEM	PART NO.	DESCRIPTION	UNIT
1	299512	Starter Assembly	1
2	N/A	Frame, Drive End	1
3	N/A	Plug, Expansion	1
4	N/A	Bushing	1
5	N/A	Bolt, Set	1
6	N/A	Bolt	2
7	N/A	Lever, Drive	1
8	SEE NOTES ++	Solenoid 300538 WITH STUDS OR 299771	1
9	N/A	Clutch, Over Running WITH SCREWS)	1
10	N/A	Armature	1
11	N/A	Pin, Snap	1
12	N/A	Collar	1
13	N/A	Yoke	1
14	N/A	Bolt, Set	4
15	N/A	Gasket	1
16	N/A	Coil, Field	1
17	N/A	Brush	2
18	N/A	Brush	2
19	N/A	Holder, Brush	1
20	N/A	Spring, Brush	1
21	N/A	Bolt, Through	2
22	N/A	Frame, End	1
23	N/A	Bushing	1
24	N/A	Gasket	1

# STARTER GROUP (CONTINUED)

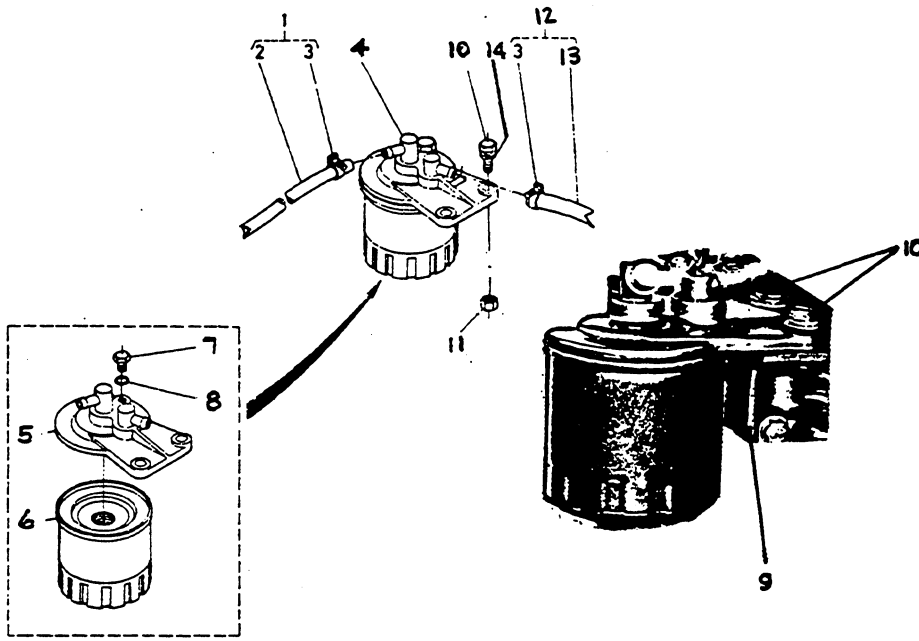
**medalist**  
**Universal Motors**



FROM SERIAL NO. 230248 TO 230416  
300000 300071

ITEM	PART NO.	DESCRIPTION	UNIT
25	N/A	Spring, Return	1
26	N/A	Washer	1
27	N/A	Cap, End Frame	1

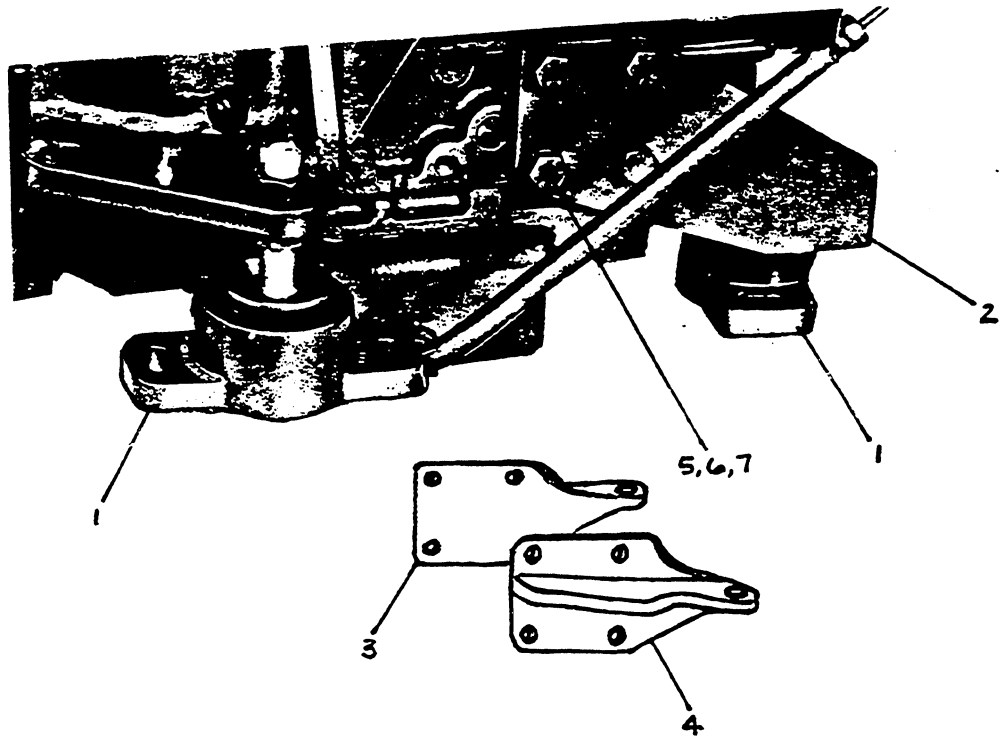
# FUEL FILTER GROUP



FROM SERIAL NO. 230248 TO 230416  
300000 300071

ITEM	PART NO.	DESCRIPTION	UNIT
1	N/A	Fuel Pipe Assembly	1
2	N/A	Fuel Pipe	1
3	298605	Clip, Pipe	2
4	298853	Fuel Filter Assembly	1
5	N/A	Cover, Filter	1
6	298854	Fuel Filter Element	1
7	XXXXXX	Plug, Filter Breather 299855	1
8	XXXXXX	O Ring 299856	1
9	299029	Bracket, Filter	1
10	231059	Bolt	2
11	230142	Nut	2
12	N/A	Fuel Pipe Assembly	1
13	298567	Pipe, Fuel Filter To Engine	1
14	298461	Lock Washer	2
15			
16			
17			
18			
19			
20			
21			
22			
23			
24			

ENGINE MOUNT GROUP

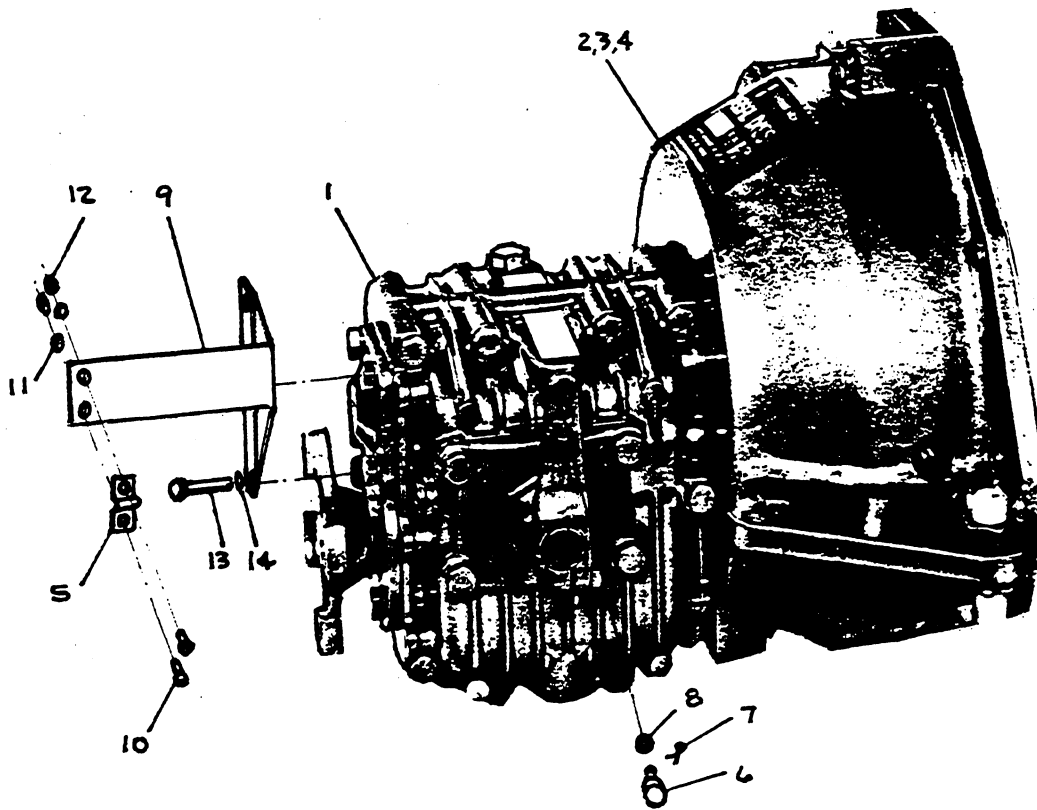


FROM SERIAL NO. 230248 300000 TO 230416 300071

ITEM	PART NO.	DESCRIPTION	UNIT
1	289232	Flexible Mount (3 and 4 Point)	3or4
2	299102	Mounting Bracket Front (3 Point)	1
3	299254	Engine Mount-Port (4 Point)	1
4	299256	Engine Mount-Starboard (4 Point)	1
5	298506	Hex Hd Cap Screw 10MM x 1.25 x 30MM	8
6	298463	Lock Washer 10MM	8
7	298456	Flat Washer 10MM	8
8			
1A	<del>XX</del> 300514	FLEX MOUNT (SOFTER)	3/4
10			
	<del>XX</del> 300284	16" MOUNT PORT SIDE	1
	<del>XX</del> 300286	16" MOUNT STARBOARD SIDE	1
13			
14			
15			
16			
17			
18			
19			
20			
21			
22			
23			
24			

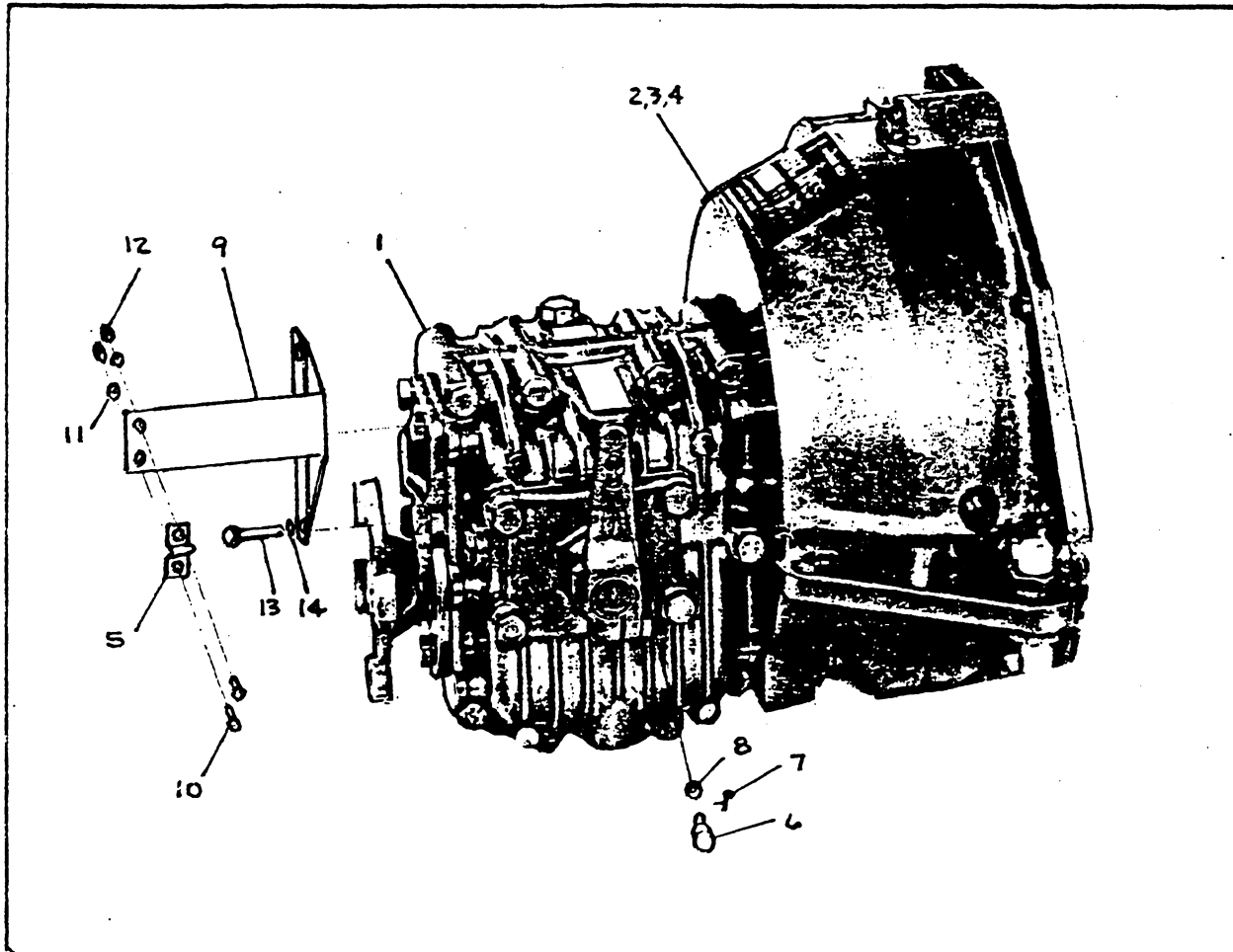
TRANSMISSION GROUP

Prior to Serial No. 300072



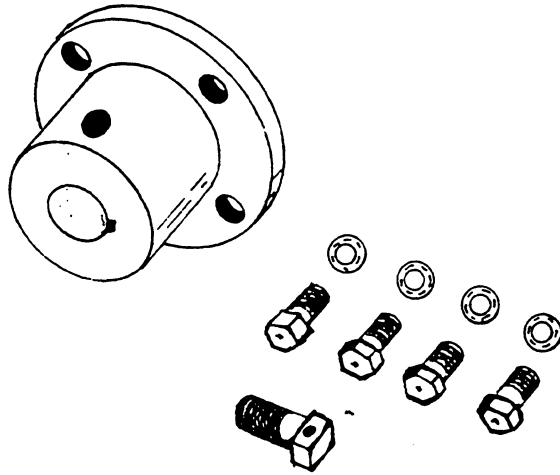
FROM SERIAL NO. 230248 TO 230416  
300000 300071

ITEM	PART NO.	DESCRIPTION	UNIT
1	<del>299155</del>	Reverse Gear Box Complete 300115 HBW-50	1
2	299100	Bell Housing	1
3	299156	Damper-Reverse Gear (not shown)	1
4	299157	Plate - Damper Mt'g. (not shown)	1
5	298897	Clamp-Shift Cable to Control Brkt.	1
6	298898	Pivot-Shift Cable to Reverse Gear Lever	1
7	230281	Cotter Pin - 3/32 x 1/2"	1
8	231874	Flat Washer 1/4	1
9	<del>299160</del>	Shift Control Mounting Bracket 300427	1
10	231224	Rd. Hd. Mach. Screw (#10-32 x 1/2")	2
11	231890	Lock Washer, Split (#10-32 Screw)	2
12	230138	Hex Nut (#10-32)	2
13	287895	Hex Hd Cap Screw (8MM x 1.25 x 16MM)	2
14	298461	Lock Washer (8MM Screw)	2
15	298468	Hex Hd Cap Scr. (Trans. to Bell Housing)N/S	6
16	231875	Flat Washer 5/16(Trans. to Bell Housing)N/S	6
17	298461	Washer, Lock 8MM(Trans. to Bell Housing)N/S	6
18			
19			
20			
21			
22			
23			
24			



ITEM	PART NO.	DESCRIPTION	UNIT
1 . . .	<del>299155</del>	Reverse Gear Box Complete 300115 HBW50.	1
2 . . .	<del>299100</del>	Bell Housing . . . . . 300945 . . . . .	1
3 . . .	299156	Damper-Reverse Gear (not shown) . . . . .	1
4 . . .	299157	Plate-Damper Mt'g (not shown) . . . . .	1
5 . . .	298897	Clamp-Shift Cable to Control Bracket. . .	1
6 . . .	299690	Pivot-Shift Cable to Reverse Gear Lever .	1
7 . . .	230281	Cotter Pin - 3/32 x 1/2" . . . . .	1
8 . . .	231874	Flat Washer - 1/4" . . . . .	1
9 . . .	<del>299160</del>	Shift Control Mounting Bracket 300427 .	1
10 . . .	231224	Rd. Hd. Machine Screw-#10-32 x 1/2" . . .	2
11 . . .	231890	Lock Washer, Split-#10-32 Screw . . . . .	2
12 . . .	299290	Hex Nut-#10-32. . . . .	2
13 . . .	<del>298906</del>	Hex Hd. Cap Screw-8MM x 1.25 x 16MM 298895	2
14 . . .	298461	Lock Washer-8MM Screw . . . . .	2
15 . . .	298468	Hex Hd. Cap Screw(trans. to Bell Hsg.N/S)	6
16 . . .	231875	Flat Washer-5/16(trans. to Bell Hsg.N/S).	6
17 . . .	298461	Washer, Lock 8MM(trans. to Bell Hsg.N/S).	6
300733 ASSEMBLY DRAWING			



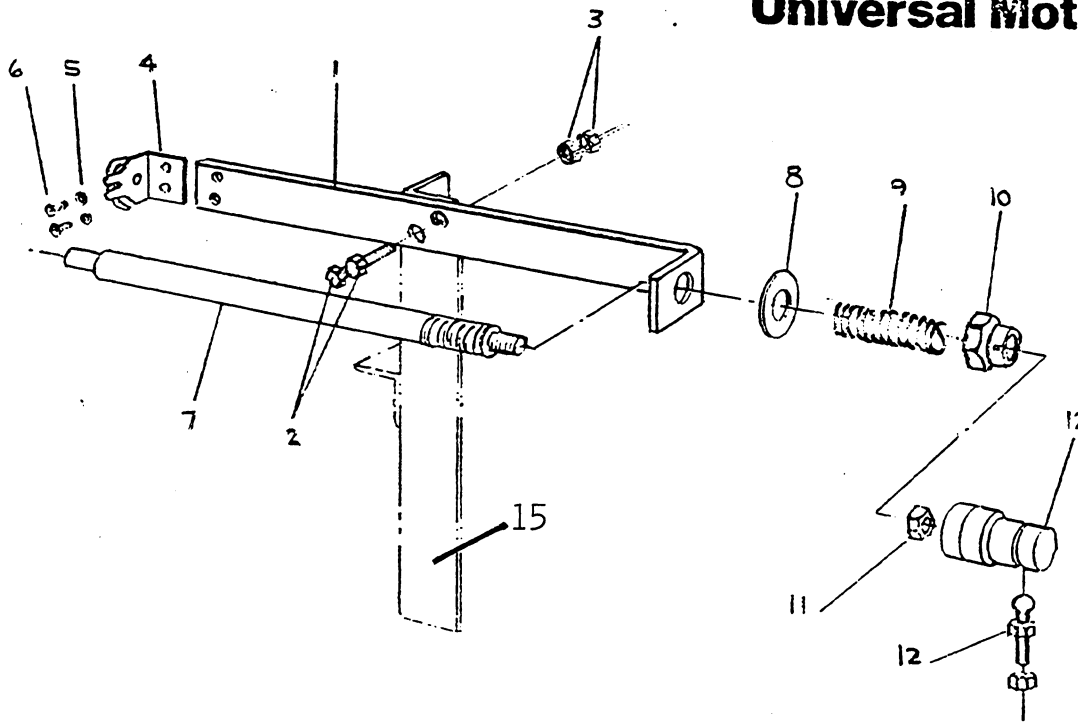


ITEM	PART NO.	DESCRIPTION	UNIT
** 256741	299640	Rigid Coupling 3/4"	
** 256742	299641	Rigid Coupling 7/8"	
** 256743	299642	Rigid Coupling 1"	
** 256744	299643	Rigid Coupling 1-1/8"	
** 256745	299644	Rigid Coupling 1-1/4"	
	238162	Screw-Sq.Hd. 3/8 - 16 x 1"	2
	<del>239548</del> 31631	Screw-Hex Hed. 3/8 - 24 x 1-1/4"	4
	231910	Washer-Shake Procf	4
	<del>230189</del> 31767	Nut-Jam 3/8-24	4
	298568	Flexible Coupling 3/4" - 1/4" Key	
	298569	Flexible Coupling 7/8" - 1/4" Key	
	298484	Flexible Coupling 1" - 1/4" Key	
	298570	Flexible Coupling 1-1/8" - 1/4" Key	
	299300	Flexible Coupling 1-1/4" - 5/16" Key	

\*\* COUPLING KIT - CONTIANS HARDWARE AND COUPLING

THROTTLE LINKAGE CONTROL GROUP

**medalist**  
**Universal Motors**

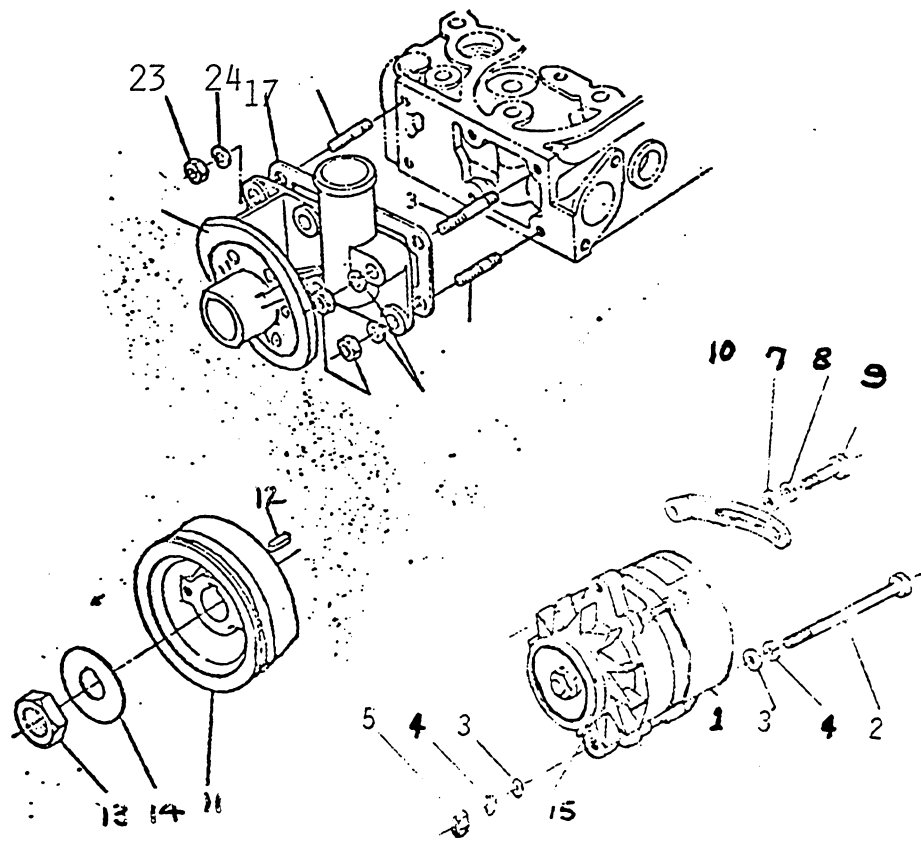


REVERSE THROTTLE KIT - 256746

FROM SERIAL NO. 230248 TO 230416  
300000 300071

ITEM	PART NO.	DESCRIPTION	UNIT
1	298637-B	Bracket, Throttle Cable Mtg.	1
2	231035	Hex Hd Cap Screw (1/4-20 x 3/4 Lg.)	2
3	230257	Lock Nut, Flexlock (1/4-20)	2
4	298630	Cable Hook Clip	1
5	231890	Lock Washer, Split (#10)	2
6	231224	Rd Hd Mach Screw (#10-32 x 1/2" Lg.)	2
7	<del>298638</del> 299027	Stud, Throttle Control Linkage	1
8	231875	Flat Washer SAE 5/16	1
9	298886	Spring, Throttle Stop	1
10	298610	Lock Nut, Flexlock (5/16 x 24)	1
11	230138	Hex Nut (#10-32)	1
12	298629	Ball Joint, Throttle Linkage	1
13			
14			
15	299187	THROTTLE CONTROL SUPPORT BRACKET	
16			
17			
18			
19			
20			
21			
22			
23			
24			

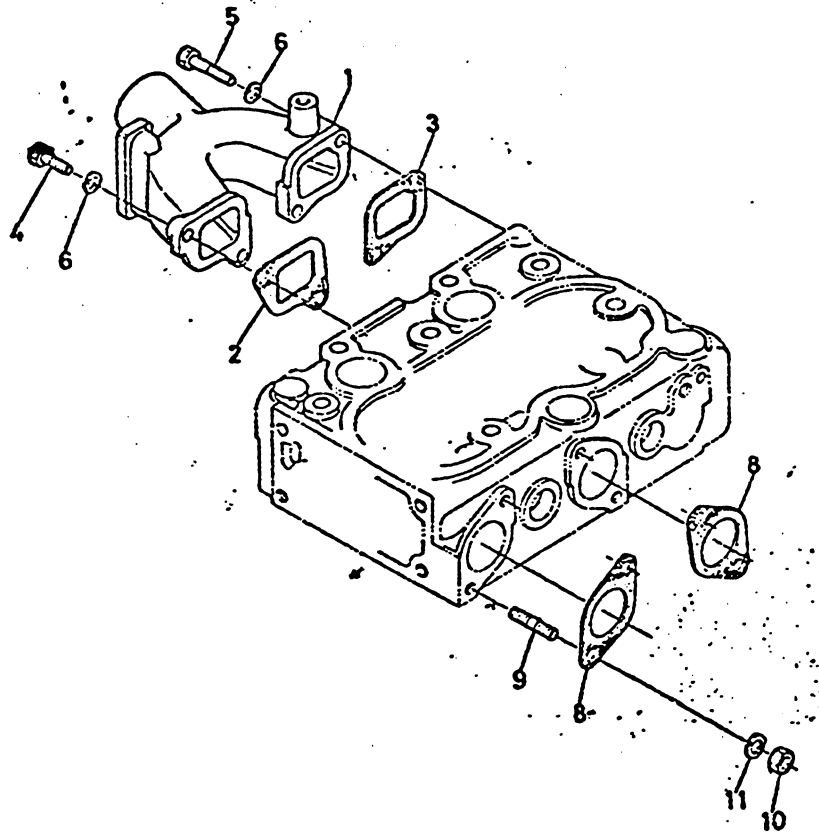
DYNAMO GROUP.



FROM SERIAL NO. 230248 TO 230416  
300000 300071

ITEM	PART NO.	DESCRIPTION	UNIT
1	302280		
2	231093	Hex Hd Capscrew 3/8-16 x 3-3/4"	1
3	231878	Washer 3/8"	2
4	285305	Washer - Split Lock 3/8"	2
5	230144	Hex Nut 3/8-16	1
*	299095	Alternator Pivot Bracket	1
7	231856	Washer - Flat 5/16"	1
8	298461	Washer - Lock (8mm Screw)	3
9	231057	Hex Hd Capscrew (5/16'18 x 3/4)	1
10	299698	Alternator Adjusting Arm	1
11	299548	Pulley, Fan Drive	1
12	299549	Key, Feather	1
13	299550	Nut, Crankshaft	1
14	299551	Washer, Crankshaft	1
15	298972	Alternator-55 Amp.	
16	299036	V-BELT - 300804	
17	299035	GASKET	
18	298903	TACH TAP KIT	
19		*Not Shown	
20	299761	ELBOW	
21			
22			
23	15812	NUI	
24	31783	LOCKWASHER	

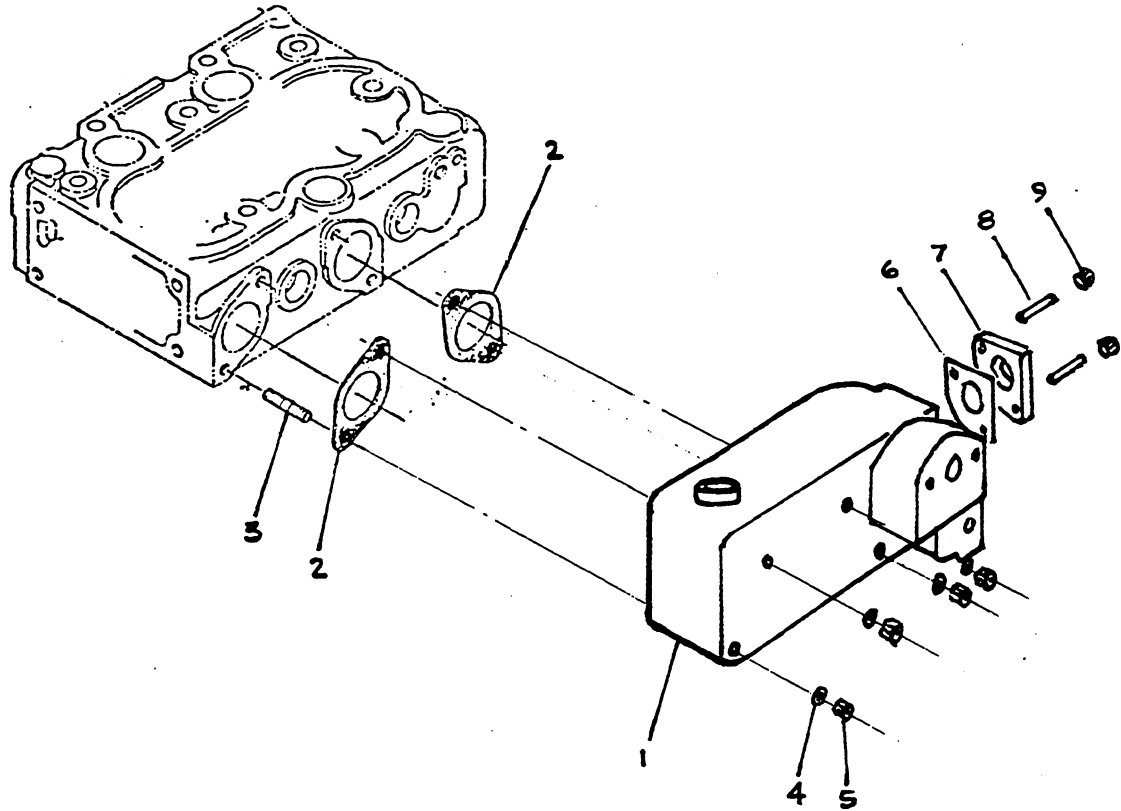
# INLET MANIFOLD GROUP



FROM SERIAL NO. 230248 TO 230416  
300000 300071

ITEM	PART NO.	DESCRIPTION	UNIT
1	299429	Manifold, Inlet	1
2	299430	Gasket, Inlet Manifold	1
3	299431	Gasket, Inlet Manifold	1
4	299432	Bolt	3
5	299433	Bolt	1
6	299434	Washer, Spring	4
7			
8	299435	Gasket, Exhaust Manifold	2
9	N/A	Stud	4
10	N/A	Nut	4
11	299434	Washer, Spring	4
12			
13	299750	AIR FILTER	
14	301049	ELEMENT, AIR FILTER	
15			
16			
17			
18			
19			
20			
21			
22			
23			
24			

# EXHAUST MANIFOLD GROUP

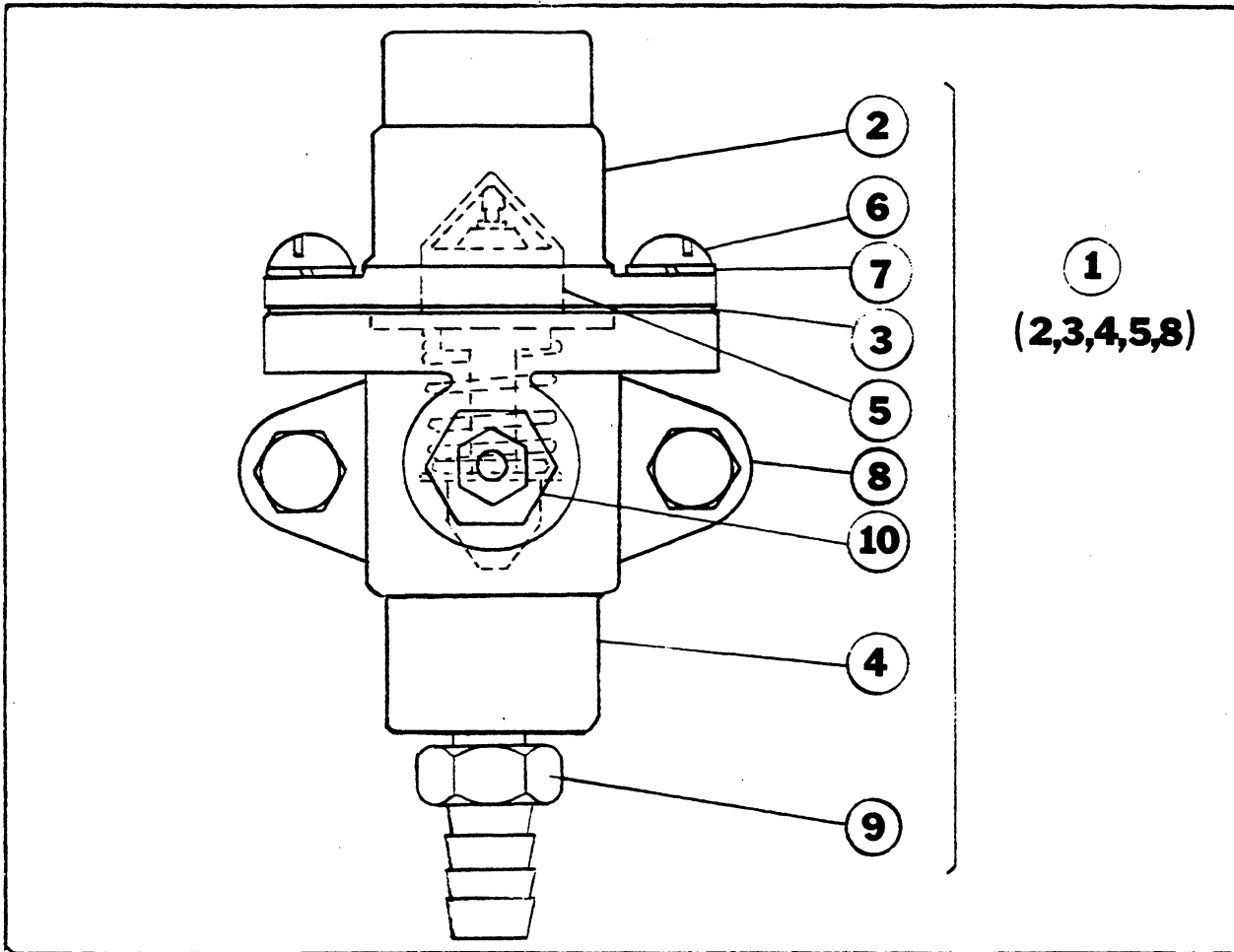


FROM SERIAL NO. 230248 TO 230416  
300000 300071

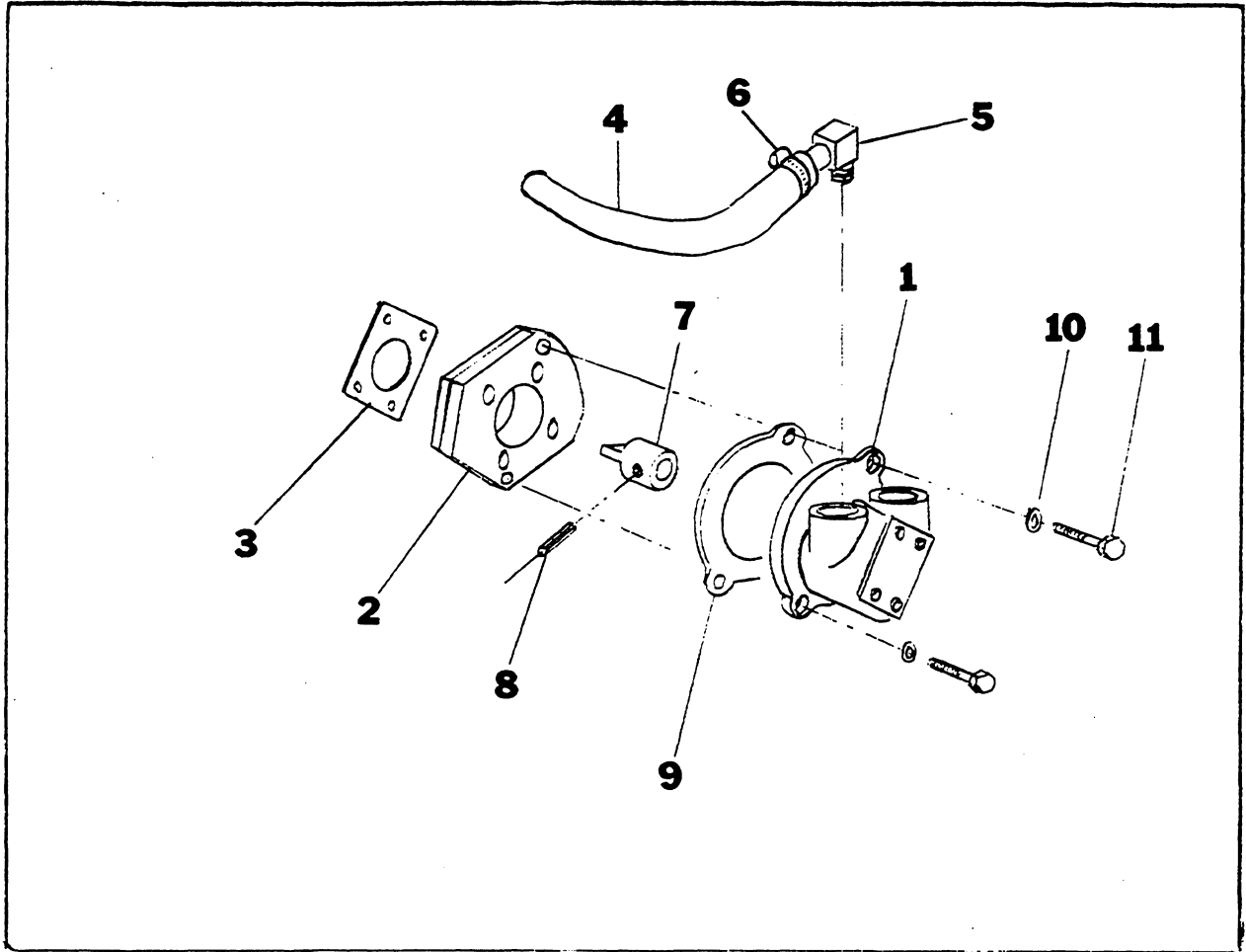
OPTIONS

ITEM	PART NO.	DESCRIPTION	UNIT
1	<del>299179-D</del> 299179-D	Manifold 300418	1
2	<del>299435</del> 299435	Gasket, Exhaust Manifold	2
3	<del>299434</del> 299434	Stud, Exhaust Manifold 299040	4
4	<del>299434</del> 299434	Washer, Spring	4
5	<del>N/A</del> N/A	Nut	4
6	<del>299182-A</del> 299182-A	Gasket, Exhaust Flange	1
7	<del>299081XA</del> 299081XA	Exhaust Flange 299230	1
8	<del>299059XA</del> 299059XA	Stud (3/8-16 x 3/8-24) 298974	2
9	<del>230147</del> 230147	Nut 3/8-16	2
10	<del>299944</del> 299944	WATER COOLED RISER 1-1/4"	
11	<del>300113</del> 300113	NIPPLE H.D. 1-1/2 X CLOSE	
12			
13			
14			
15			
16			
17			
18			
19			
20			
21			
22			
23			
24			

THERMOSTAT GROUP



<u>ITEM</u>	<u>PART NO.</u>	<u>DESCRIPTION</u>	<u>UNIT</u>
1 . . .	299624 . . .	Thermostat Assembly . . . . .	1
2 . . .	<del>299043</del> . . .	Housing, Thermostat . 299177 . . . . .	1
3 . . .	261144 . . .	Gasket. . . . .	1
4 . . .	<del>299043</del> . . .	Outlet Housing, Thermostat . 299043 . . . . .	1
5 . . .	275965 . . .	Element, Thermostat . . 145° . . . . .	1
6 . . .	294376 . . .	Machine Screw 1/4-20 Brass . . . . .	2
7 . . .	231828 . . .	Lock Washer 1/4 Brass . . . . .	2
8 . . .	299048 . . .	Gasket, MTG . . . . .	1
9 . . .	241021 . . .	Hose Fitting, Straight . . . . .	1
10 . . .	299066 . . .	Temperature Sender . . . . .	1
	241022 . . .	Tee-Hose Fitting . . . . .	1
	241019 . . .	90° El Fitting - 3/8 MPT to 1/2" Hose . . . . .	1
	295292 . . .	Washer - Lock 5/8" . . . . .	4
	231880 . . .	Washer Flat - 5/8" . . . . .	8



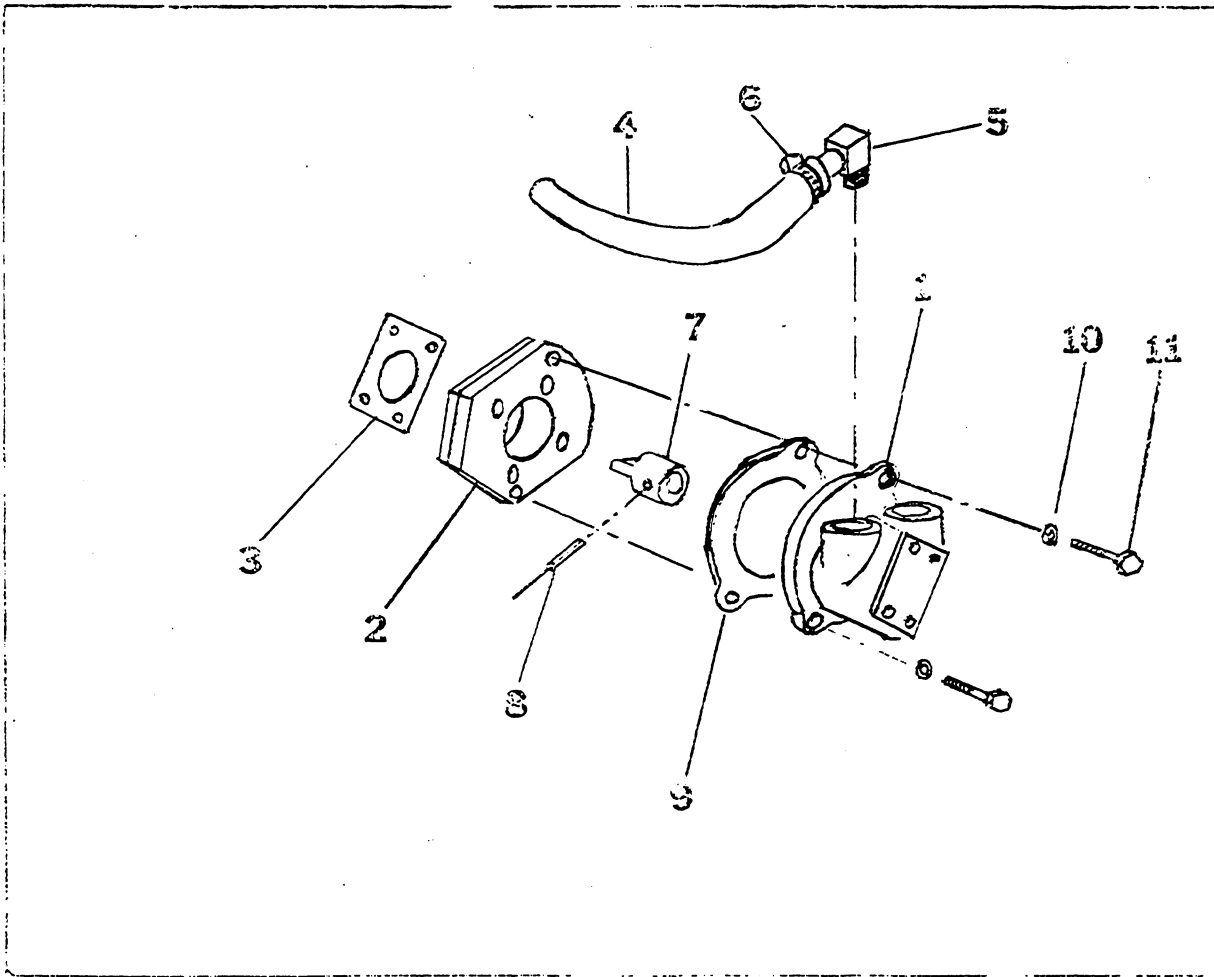
<u>ITEM</u>	<u>PART NO.</u>	<u>DESCRIPTION</u>	<u>UNIT</u>
1 . . .		Pump . . . . .	1
2 . . .	298477	Adapter Plate . . . . .	1
3 . . .	298485	Gasket, Adapter Plate . . . . .	1
4 . . .	299162	Hose 1/2" Pump To Engine . . . . .	1
5 . . .	241019	Fitting 90° 1/2" Hose . . . . .	1
6 . . .	374747	Clamp 1/2" Hose . . . . .	1
7 . . .	298478	Coupling Adaptor . . . . .	1
8 . . .	230371	Roll Pin 3/16 Dia. x 7/8 Lg. . . . .	1
9 . . .	<del>261044</del>	Gasket. . . . . 300253	1
10 . . .	285305	Washer. . . . .	2
11 . . .	231080	Cap Screw . . . . .	2

When replacing pump impeller order "water pump repair kit"  
 Part No. 298416-A. Kit consists of: impeller, lip seal,  
 gasket and retaining ring

- 295626 COVER GASKET
- 295628 IMPELLER
- 298416 IMPELLER KIT WITH SEALS
- 301788 SHAFT (NEW STYLE)

# WATER PUMP GROUP

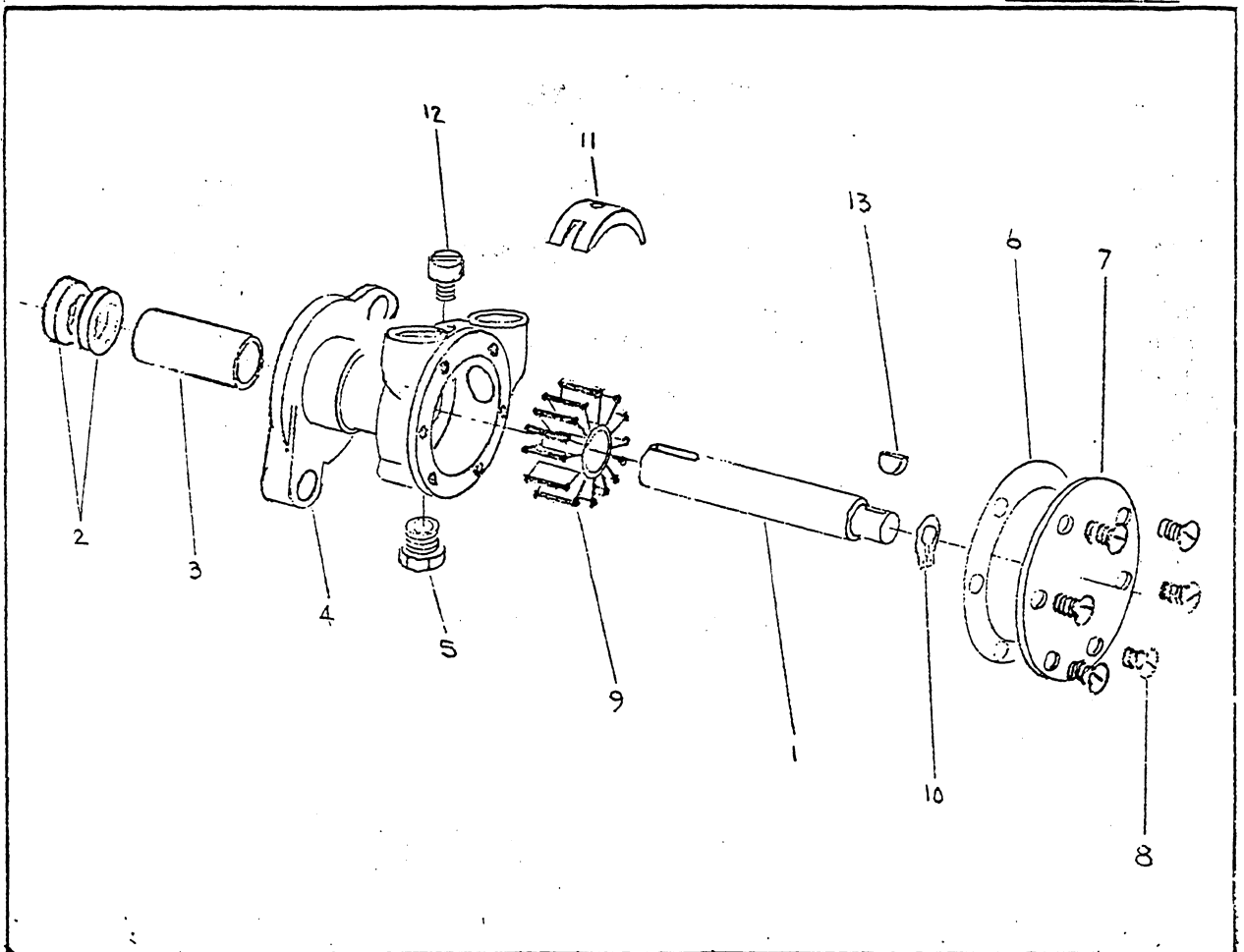
To Serial No 301032 To 305358



<u>ITEM</u>	<u>PART NO.</u>	<u>DESCRIPTION</u>	<u>UNIT</u>
1 . . . .	298890 . . . .	Pump - Oberdorfer . . . . .	1
2 . . . .	298477 . . . .	Adapter Plate . . . . .	1
3 . . . .	298485 . . . .	Gasket, Adapter Plate . . . . .	1
4 . . . .	299162 . . . .	Hose 1/2" Pump To Engine . . . . .	1
5 . . . .	241019 . . . .	Fitting 90° 1/2" Hose . . . . .	1
6 . . . .	374747 . . . .	Clamp 1/2" Hose . . . . .	1
7 . . . .	298478 . . . .	Coupling Adaptor . . . . .	1
8 . . . .	230371 . . . .	Roll Pin 3/16 Dia. x 7/8 Lg. . . . .	1
9 . . . .	<del>261044</del> . . . .	Gasket . . . . .	1
		300253 . . . . .	
10 . . . .	285305 . . . .	Washer . . . . .	2
11 . . . .	231080 . . . .	Cap Screw . . . . .	2
12 . . . .	298889 . . . .	Cam - Not Shown . . . . .	1

When replacing pump impeller order "water pump repair kit" Part No. 298416-A. Kit consists of: impeller, lip seal, gasket and retaining ring.





<u>ITEM</u>	<u>PART NO.</u>	<u>DESCRIPTION</u>	<u>UNIT</u>
	<del>XXXXXXXXXXXX</del>		
	<del>299885</del>	Pump Assembly, Complete (Sherwood).	1
1 . . .	299888 . . .	Shaft <del>OLD STYLE</del> 301787 <del>NEW STYLE</del>	1
2 . . .	262286 . . .	Seal, Lip	2
3 . . .	299889 . . .	Bushing, Carbon	1
4 . . .	299890 . . .	Body	1
5 . . .	239136 . . .	Plug, Drain	1
6 . . .	<del>207745</del>	Gasket . 295745	1
7 . . .	299891 . . .	Cover	1
8 . . .	299895 . . .	Screw - 10-24 x 3/8 Long	6
9 . . .	287439 . . .	Impeller	1
10 . . .	299893 . . .	Retaining Ring - External	1
11 . . .	299894 . . .	Cam (.187)	1
12 . . .	299895 . . .	Screw - 1/4-20 x 5/16 Long	1
13 . . .	299896 . . .	Key No. 2	1
14 . . .	298477 . . .	Adaptor Plate (not shown)	1

INSTRUMENT PANEL

<u>PART NO.</u>	<u>DESCRIPTION</u>	<u>UNIT</u>
298559	Instrument Panel Complete	Optional
298572	Panel	1
298385	Ammeter	1
299240	Oil Indicator Light	1
298383	Temperature Gauge	1
299190	Ignition Switch	1
299650	Blower Switch	1
299754	Blower Switch Plate	1
299839	Glo Plug Switch	1
299755	Glo Plug Switch Plate	1
299756	Caution Plate	1
299651	Fuse - 10A	1
299066	Temperature Sender - 1/4"	1
298584	Panel Harness	1
<del>298585</del> 300675	10 Ft. Extension Harness	1
298586	Engine Wire Harness	1
298663	OIL SENDER OR	
299732	Instrument Panel Complete with 299263 Tachometer and All Other Components Listed Above.	
256811	SPARE PARTS KIT B	
256748	Spare Parts Kit A	Optional
256735	Gasket Set	Optional

# Universal Diesel

## ENGINE CONNECTIONS

## PANEL CONNECTIONS

